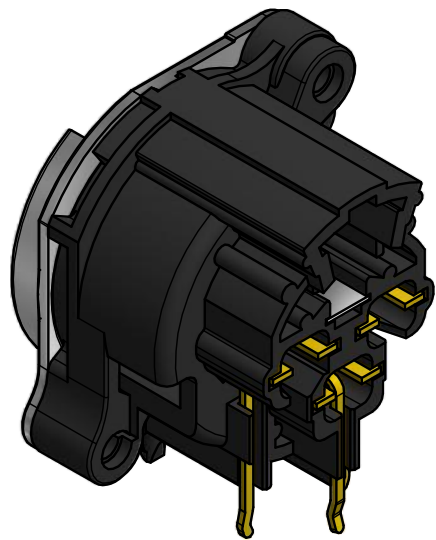
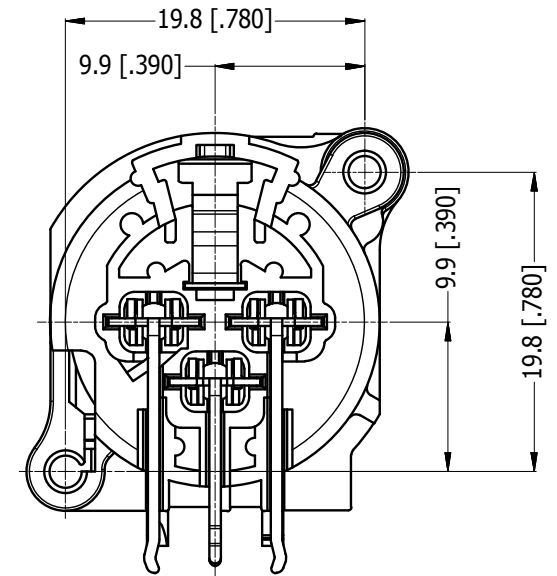
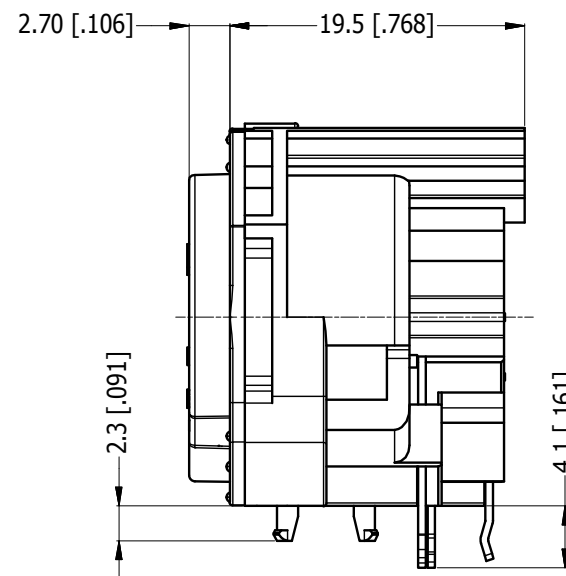
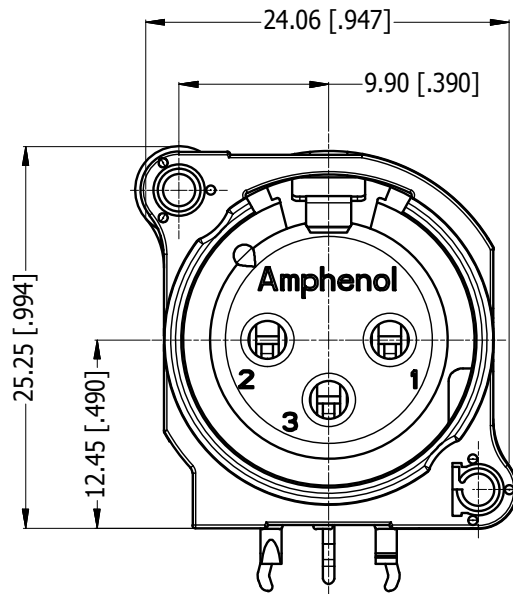
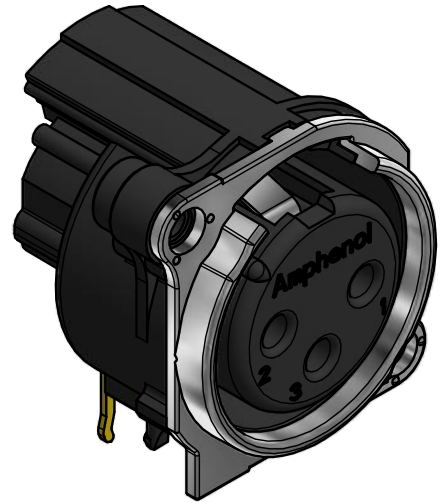
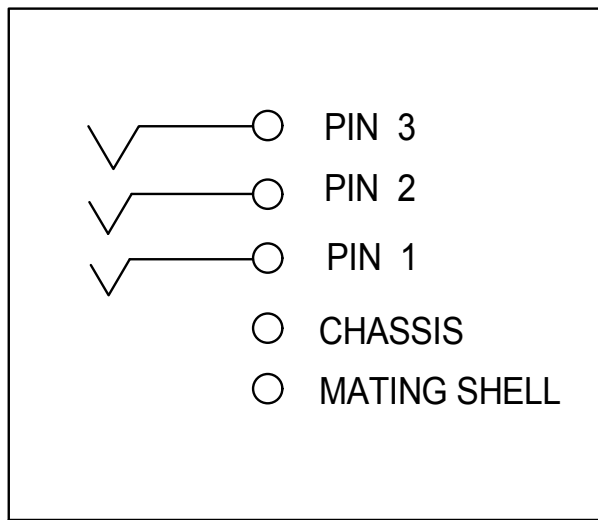


LEGEND = KEY PRODUCT CHARACTERISTICS

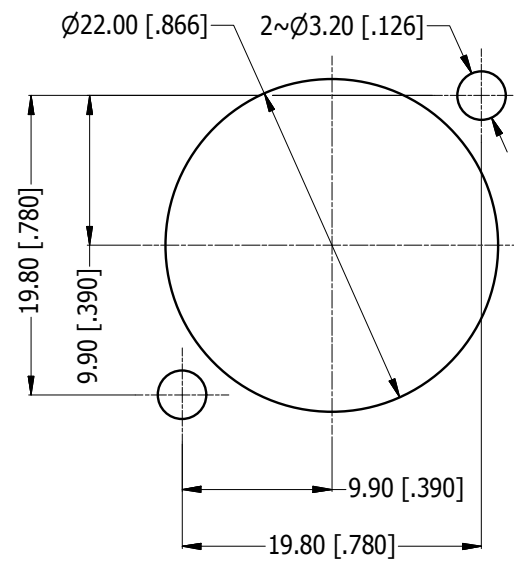
REVISION HISTORY				
REV	DESCRIPTION	DATE	BY	CHG/No
0	FIRST ISSUE	06-04-18	MH	----



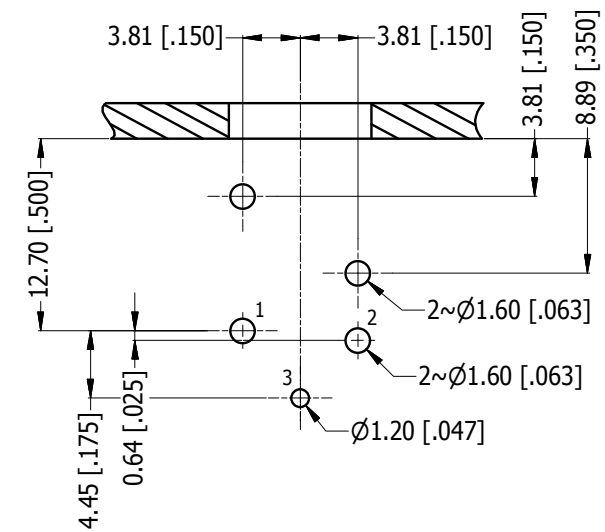
ISO VIEW



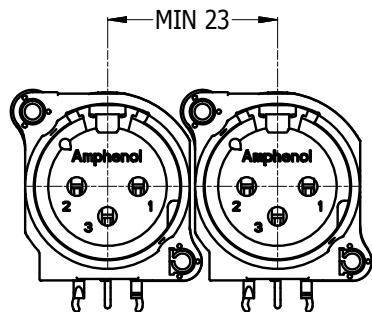
SCHEMATIC CHART



**PANEL CUT OUT
REAR VIEW**



**PCB-LAYOUT
COMPONENT SIDE
TOLERANCE: ± 0.05mm [.002"]**



**MIN MOUNTING PITCH
SCALE 1:1**

PART NUMBER TABLE	
PART NUMBER	METAL FLANGE FINISH
AC3FBHL-AU-PRE	SATIN NICKEL
AC3FBHBL-AU-PRE	MATT BLACK

UNLESS OTHERWISE SPECIFIED TOLERANCE TO BE		THIS DOCUMENT IS THE PROPERTY OF AMPHENOL AUSTRALIA PTY. LTD. NO PART THEREOF MAY BE REPRODUCED AND USED WITHOUT THE PRIOR WRITTEN CONSENT OF THE OWNER			Amphenol Amphenol Australia Pty.Ltd, 22 Industry Blvd, Carrum Downs, VIC 3201	
LINEAR	ANGULAR	MATERIAL:	DRN: MH	DATE: 06-04-18	TITLE:	PART No:
X ±0.5	X' ±1	REFER TO COMPONENT	CKD: MH	DATE: 06-04-18	LATCHLESS HORIZONTAL FEMALE CUSTOMER DRAWING	REFER TO PN TABLE
X.X ±0.2	X.X' ±30'	BREAK ALL SHARP EDGES AND REMOVE ALL BURRS	APP'D: PM	DATE: 06-04-18	DRAWING NO.	SHEET
X.XX ±0.1	X.XX' ±15'	DO NOT SCALE	SCALE: 2:1	SIZE: A3	55011304000220	55011304-000-2 2/2
DIMENSIONS IN MILLIMETRES		THIRD ANGLE PROJECTION				