



**ANATECH ELECTRONICS INC**  
RF & Microwave Filters & Products

# 9100 MHz Cavity Bandpass Filter

**Part Number: AE9100B9470**



## Electrical specifications

**Center Frequency:** 9100 MHz  
**Bandwidth:** 250 MHz  
**Input / Output Impedance:** 50 Ohms  
**Passband:** 8975-9225 MHz  
**Passband Insertion Loss:** <2dB  
**Passband Ripple:** <0.2 dB  
**Passband Return Loss:** >14 dB  
**Rejection:** @ 0-8342 MHz >70 dB  
**Rejection 2:** @ 9858-20000 >70 dB  
**Power Handling:** 30 W

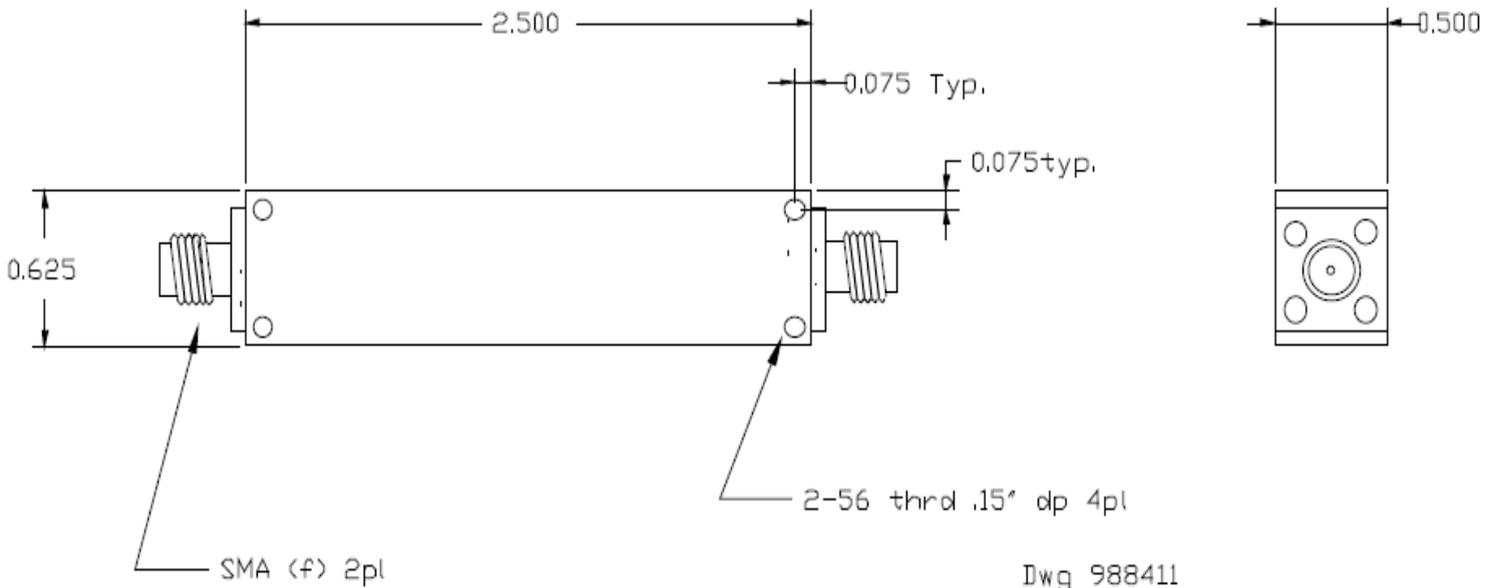
## Mechanical

**Mounting Method:** Panel Receptacle, 2 hole  
**Connector Type:** SMA (F)  
**Dimensions:** 2.5" x 0.625" x 0.5"

## Environmental

**Operating Temperature:** -45 to +85 deg.C  
**Storage Temperature:** -55 to +95 deg.C  
**Shock:** 20 G. 11ms  
**Vibration:** 20 G. 5 to 200 MHz

## Outline Drawing:





**ANATECH ELECTRONICS INC**  
RF & Microwave Filters & Products

# 9100 MHz Cavity Bandpass Filter

Part Number: AE9100B9470



## Response Plot:

