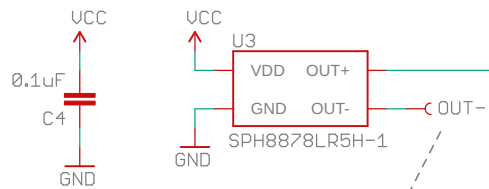


MEMS Microphone

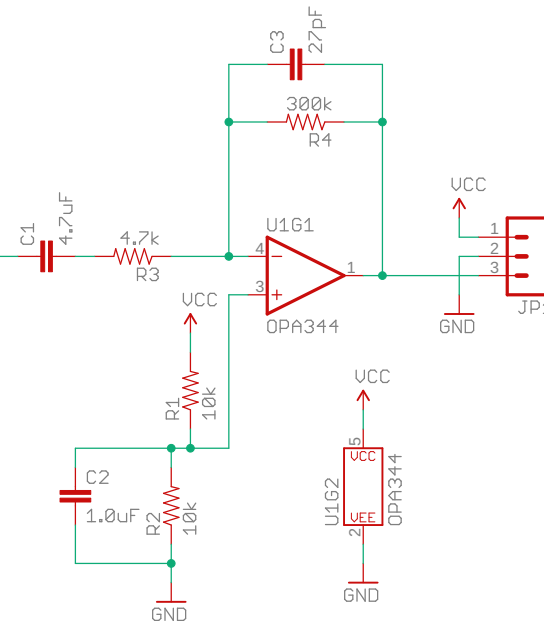
UCC RANGE:
2.3-3.6V



Out- left open intentionally
for single ended output
See datasheet pg 4

Gainstage

GAIN: *64
Frequency Response: 7.2Hz-19.7KHz
Bias: 1/2*UCC



Released under the Creative Commons
Attribution Share-Alike 4.0 License
<https://creativecommons.org/licenses/by-sa/4.0/>

TITLE: SparkFun_Analog_MEMS_Microphone_Breakout_SPH8878LR5H-1

Design by: Pete Lewis
Based on a MEMs mic design by Pete Dokter

REV:
v10

Date: 2/22/2022 3:53 PM

Sheet: 1/1