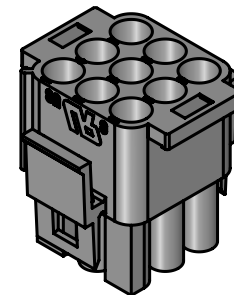
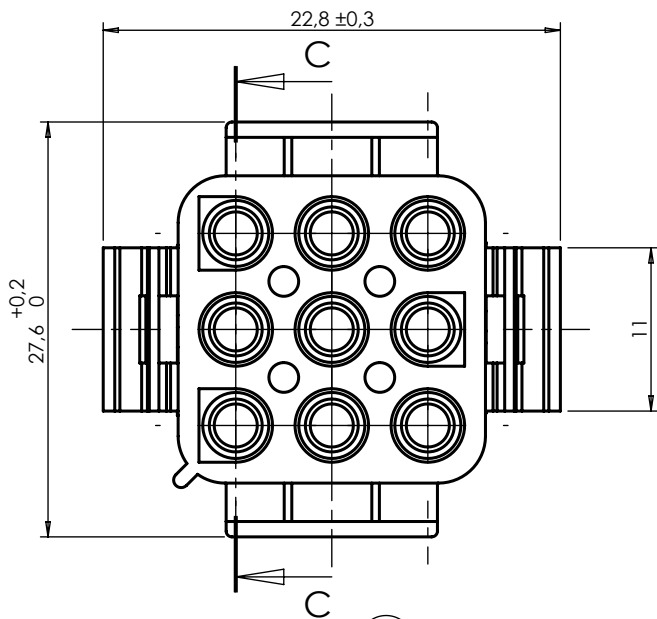
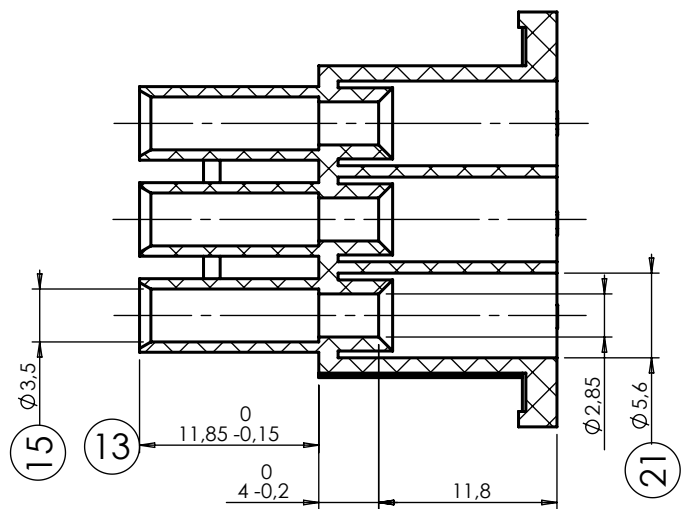
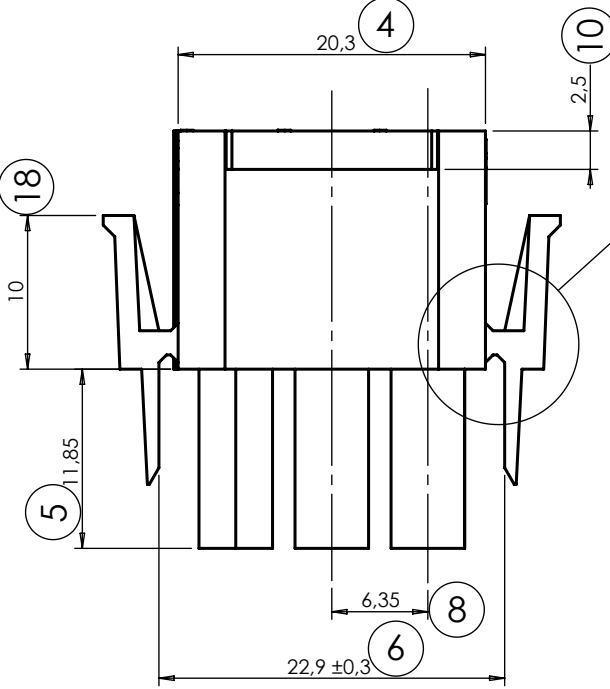
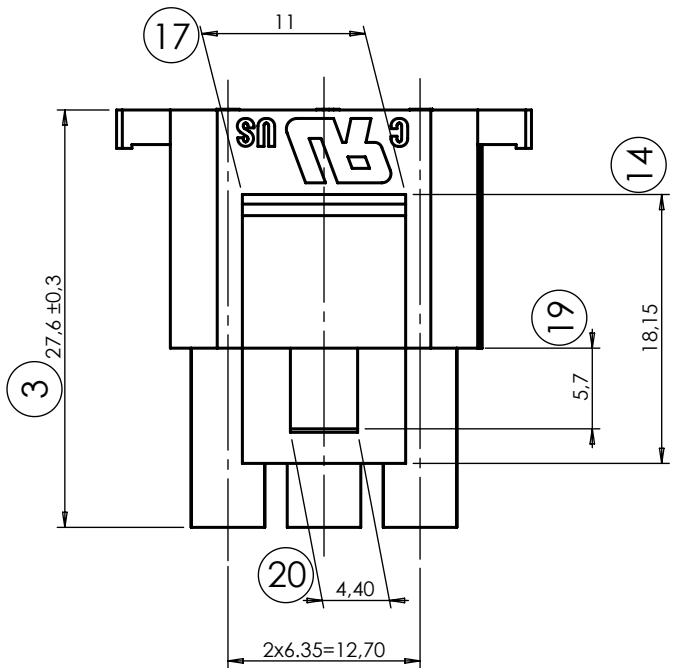
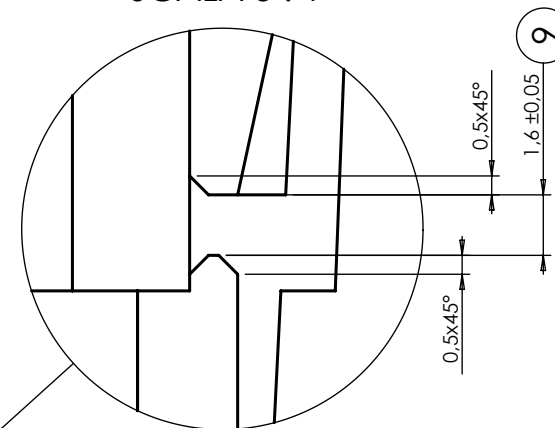


SEZIONE C-C



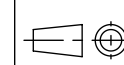
DETTAGLIO G  
SCALA 5:1



4	Modified diameters from $\phi 3.75$ to $\phi 3.50$ mm (See section C-C)	31-05-2016
	Improved thickness latching hook to 1.60 mm (See detail "G")	
	Added chamfer $0.5 \times 45^\circ$ (Detail "G")	
3	Added UL & CSA symbols	09-11-2011
2	Updated raw materials table and title box	23-02-2011
1	Updated tolerance limits	02-12-1999
INDEX	MODIFICATION	DATE



**CS S.r.l.**  
20063 CERNUSCO S/N - VIA COMO, 11  
TEL +39.02.9210.7404 - FAX +39.02.9210.0217  
<http://www.csconnectors.com> - e-mail: [info@csconnectors.com](mailto:info@csconnectors.com)



CHECKED BY Stefano Galimberti	DATE 17-06-2016	DESIGN UNITS METRIC
DRAWN BY Luca Viscardi	DATE 17-06-2016	WEIGHT (g) 5.70
CAD REFER Y:\dis\cs\lk\09vie\m\	SIZE A4	SCALE 2:1
INDEX 0 15-11-1997		
BASE CODE CS-LK09M	DESCRIPTION 9 poles plug housing for LK series terminals $\phi 2.12$ mm	

CS-LK09M	PA66 UL94 V-2
CS-LK09MV0	PA6/66 UL94 V-0
CS-LK09MSTY	PA46 UL94 V-2
CS-LK09MV0750NF	PA66 UL94 V-0 GWIT 775
CS-LK09M-G	PA6 UL94 V-2 GWIT 775
PART NUMBER	MATERIAL

DIMENSIONS WITHOUT TOLERANCES			
±2° A	0 - 6	±0.1	
	6 - 30	±0.2	
	> 30	±0.3	