

8

7

6

5

4

3

2

1

D

C

B

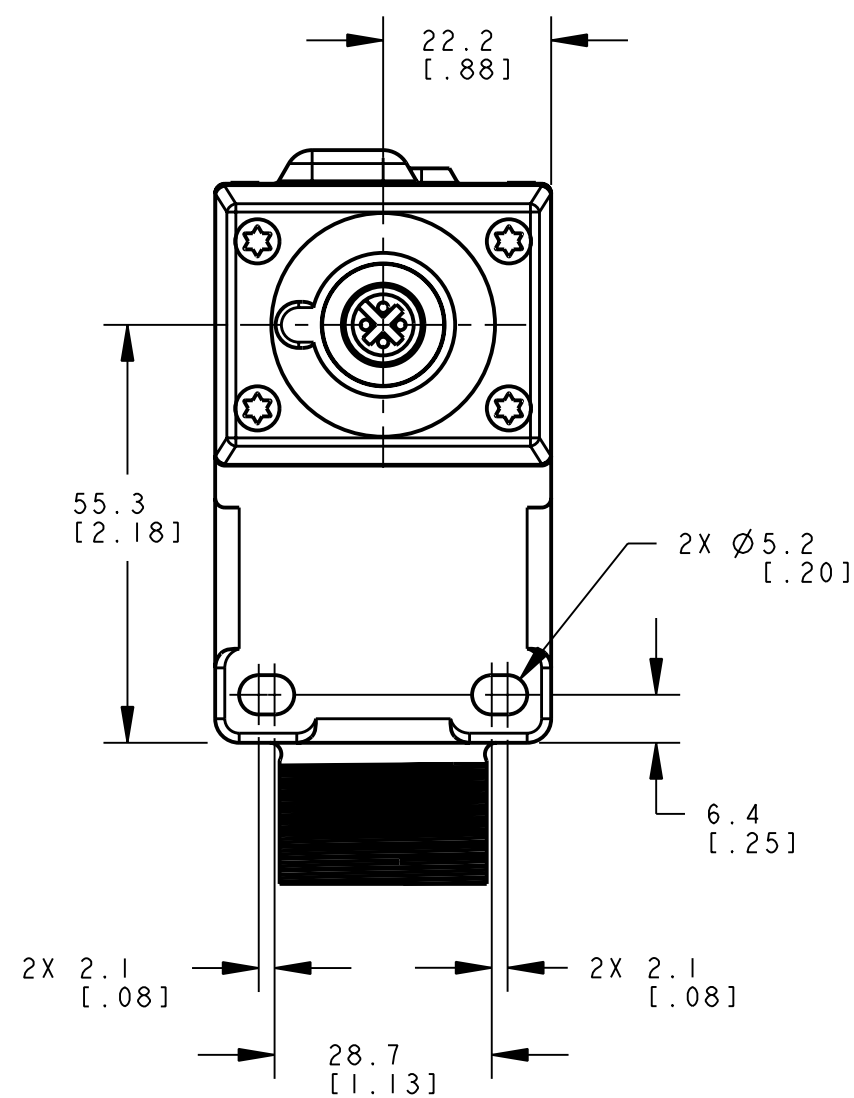
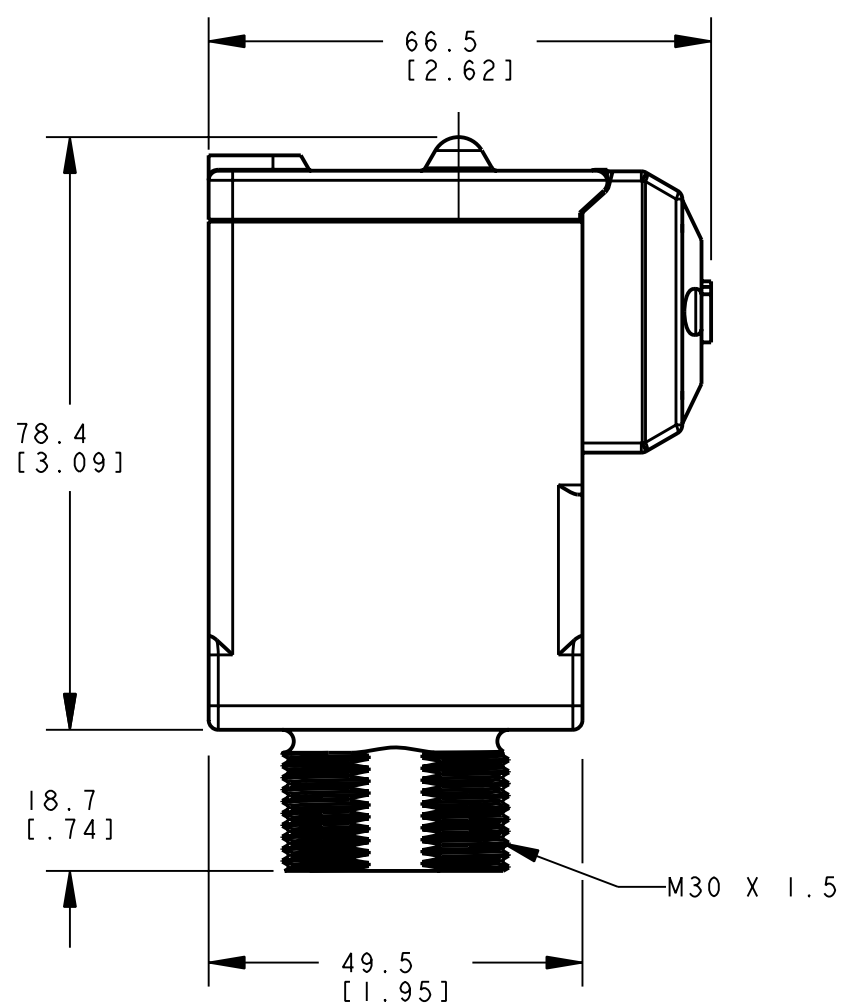
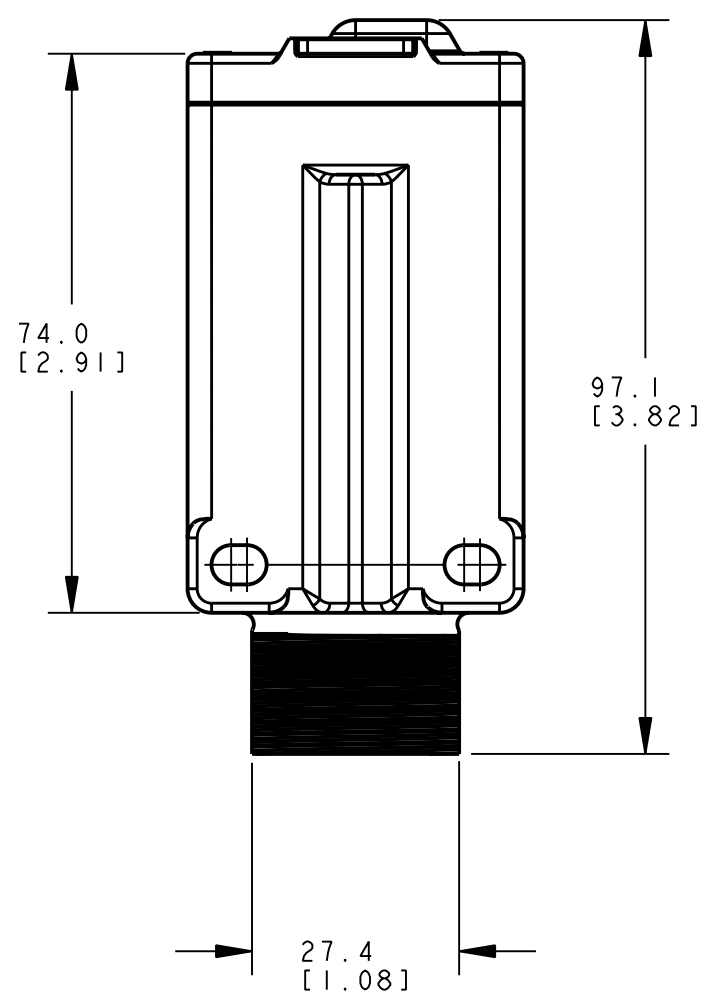
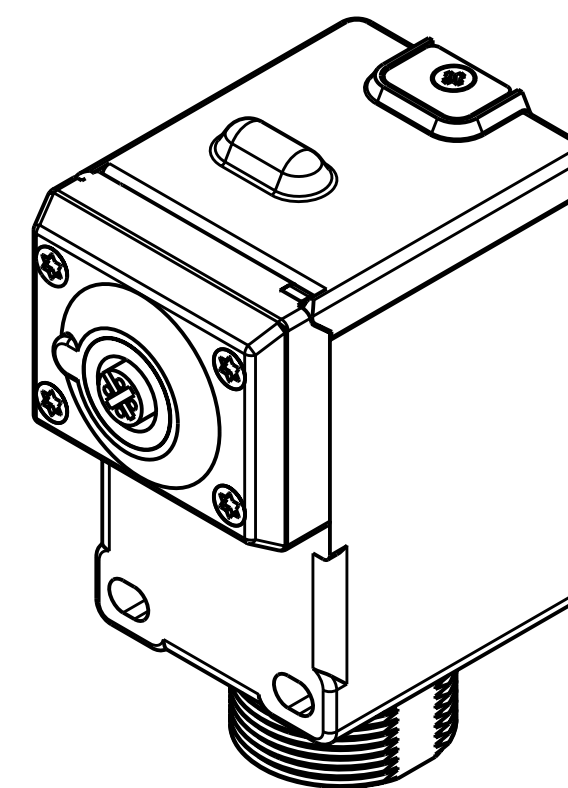
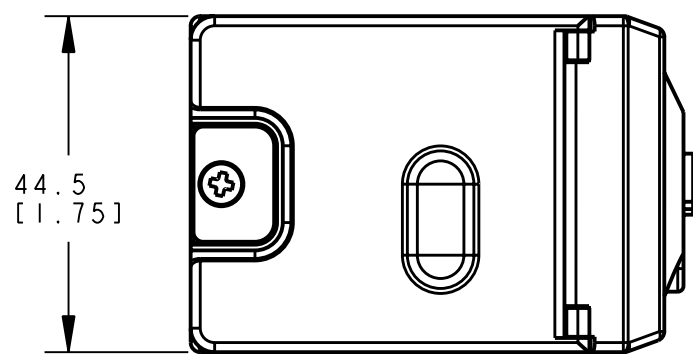
A

D

C

B

A



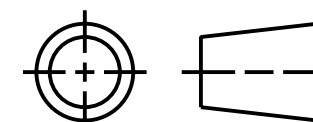
NOTES:
1. ALL DIMENSIONS ARE MILLIMETERS [INCHES] UNLESS OTHERWISE NOTED.

This drawing is the property of BANNER ENGINEERING CORP. and is proprietary in general and in detail. Its contents shall not be revealed to outside parties without written consent of BANNER.



BANNER ENGINEERING CORP.
P.O. BOX 9414
MINNEAPOLIS, MN 55440

THIRD ANGLE PROJECTION



TITLE		BANNER ENGINEERING CORP. P.O. BOX 9414 MINNEAPOLIS, MN 55440	
DX80N2Q45RD WEB CAD DRAWING 2D/3D		SIZE C	DRAWING NO. 165755
SCALE 1:1		REV. A	
SHEET 1 OF 1		PRO/E	

8

7

6

5

4

3

2

1

PRO/E