

UNG8190 EVB-USB7206

Table of Contents

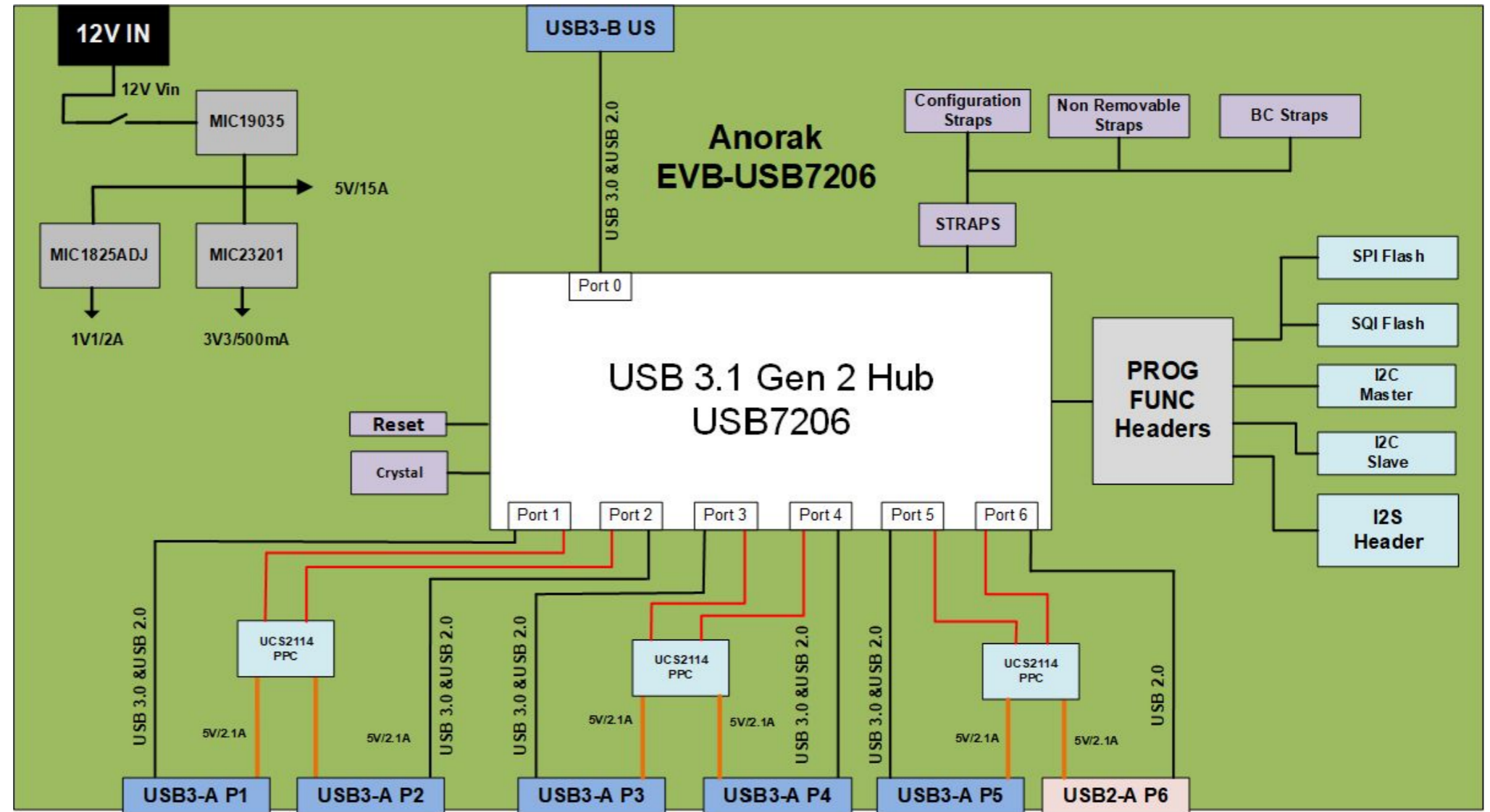
Sheet	Description
1	Title Page
2	USB7206 Part 1, SPI, Reset
3	USB7206 Part 2. Upstream Port, Audio + I2C connectors
4	Downstream Ports 1 and 2
5	Downstream Ports 3 and 4
6	Downstream Ports 5 and 6
7	Power Regulators

Revision History

Revision	Date	Revision Summary	Author
A	8/6/2018	Initial release of design	Connor Chilton
A1	7/9/2019	BOM Update for 1.15V and UCS2114	Connor Chilton

Default Selections

1	Resistors are 1%, 100mW, 0603
2	Capacitors are X5R, X7R, or C0G, 50V, 0402



USB7206 Part 1, SPI, Reset

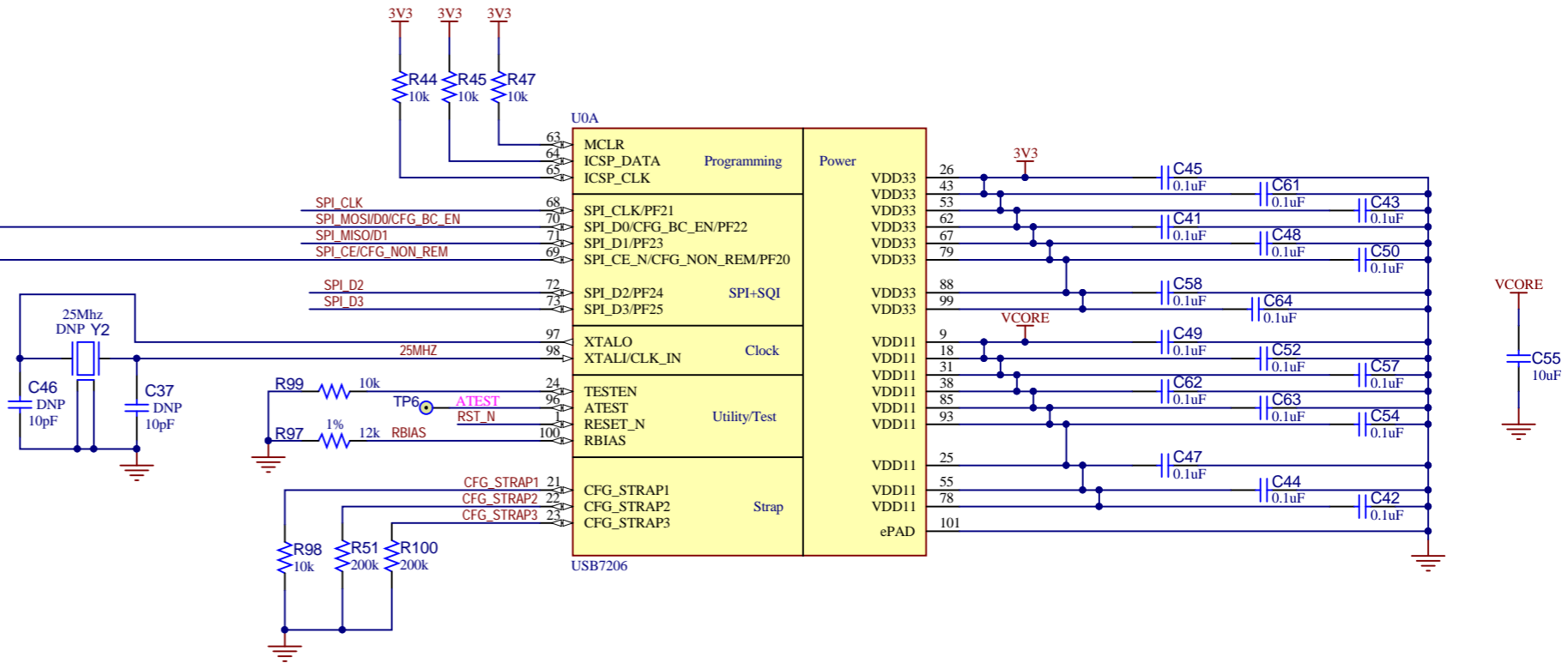
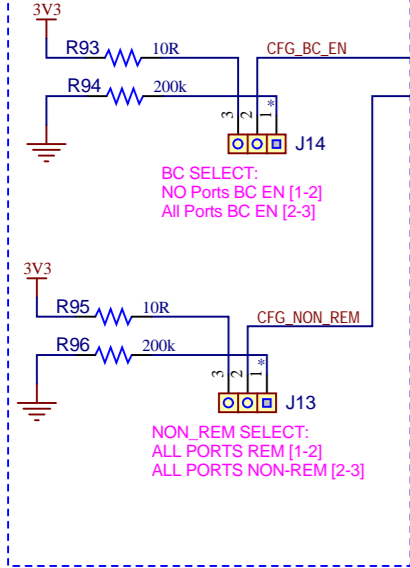
SPI_DI/CFG_BC_EN /
SPI_CE_N/CFG_NON_REM
*Default Open

For SPI (1-2, 4-5)

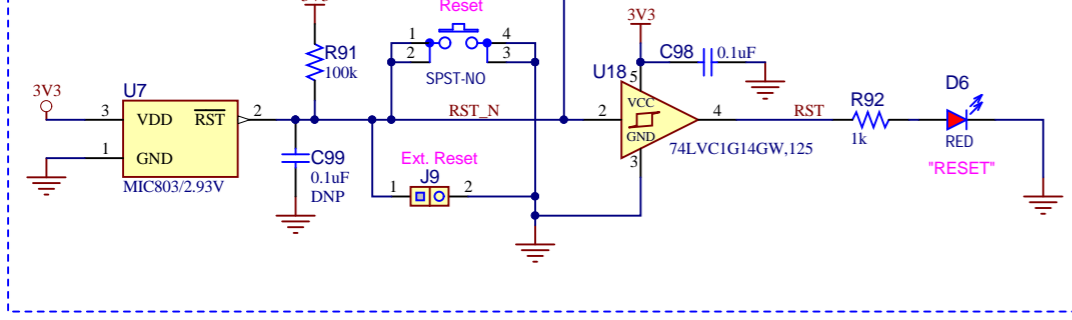
For BC (2-3)

For NON_REM (5-6)

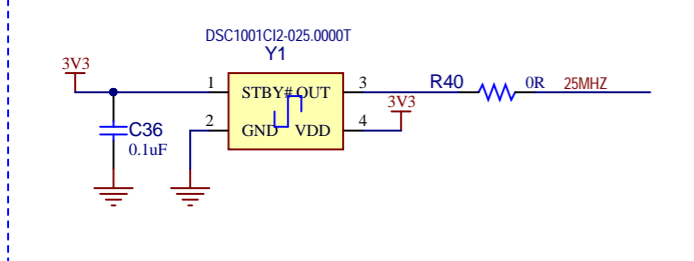
BC/Non-Rem Select



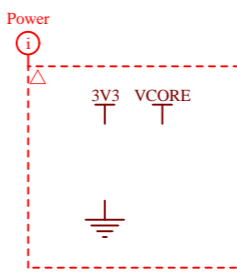
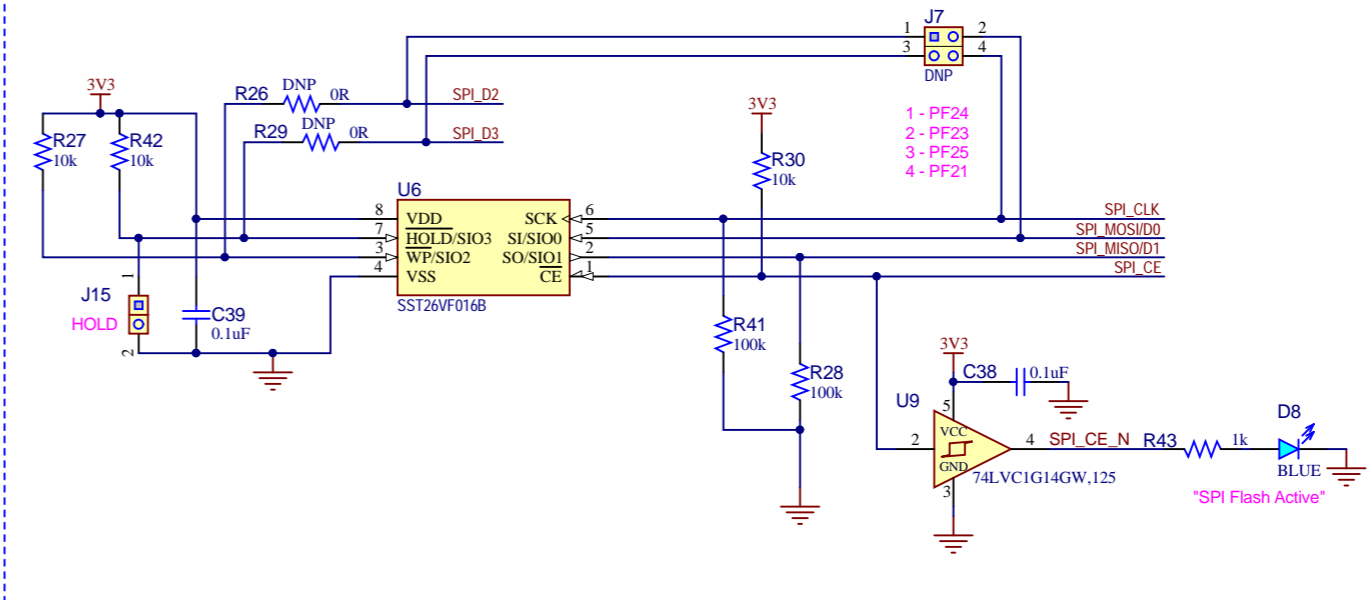
Reset



25 MHz Oscillator



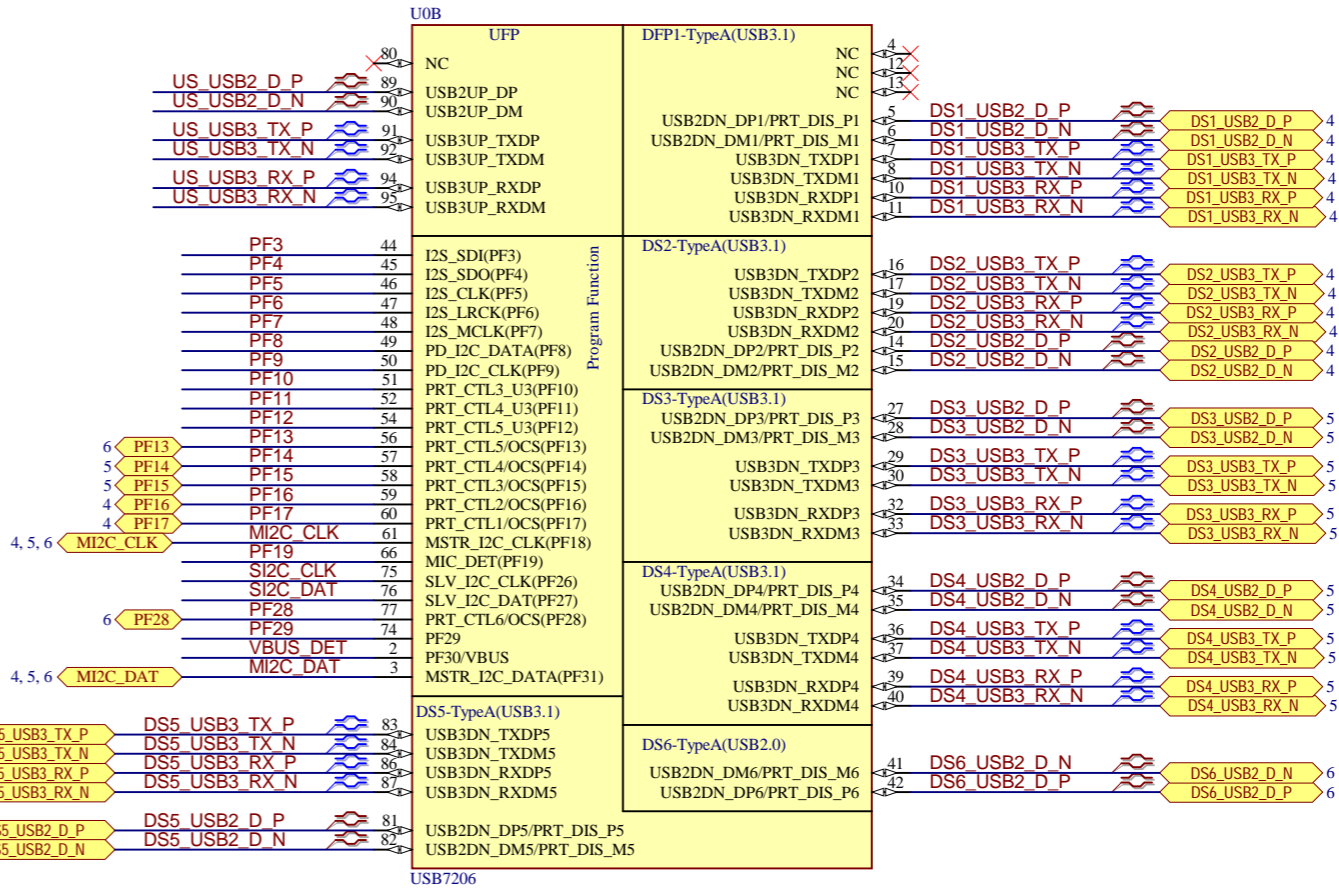
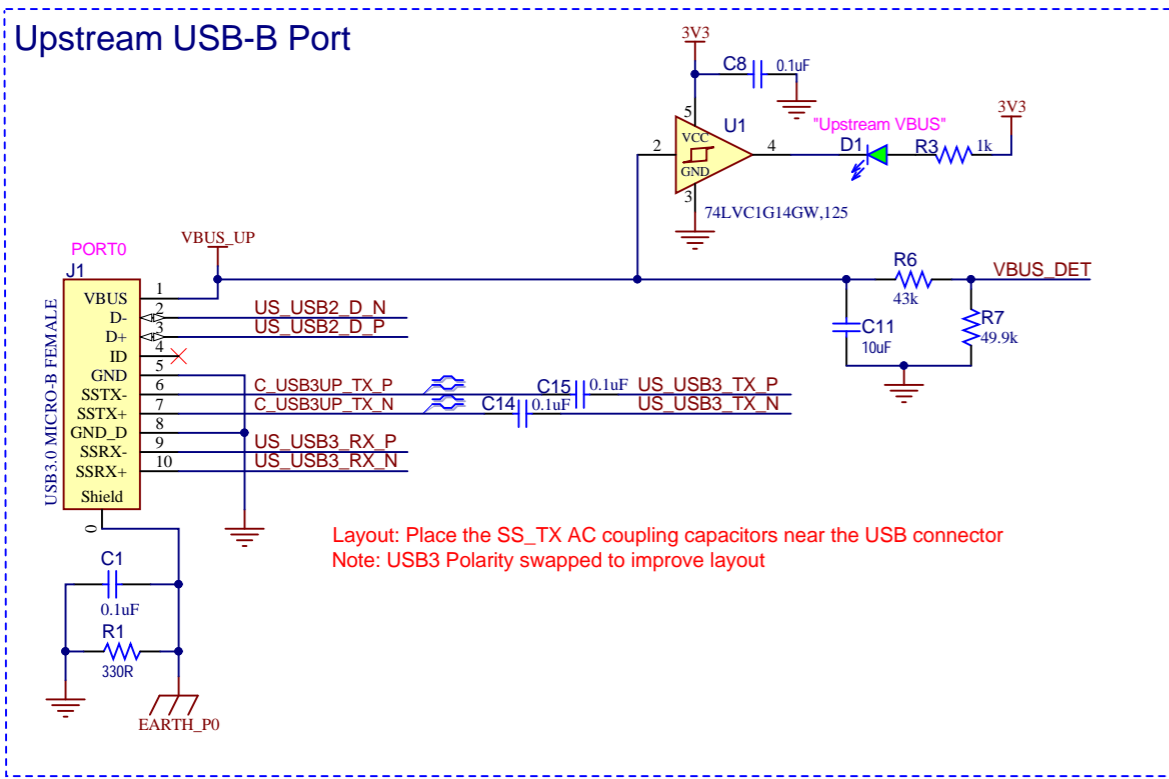
SPI Flash



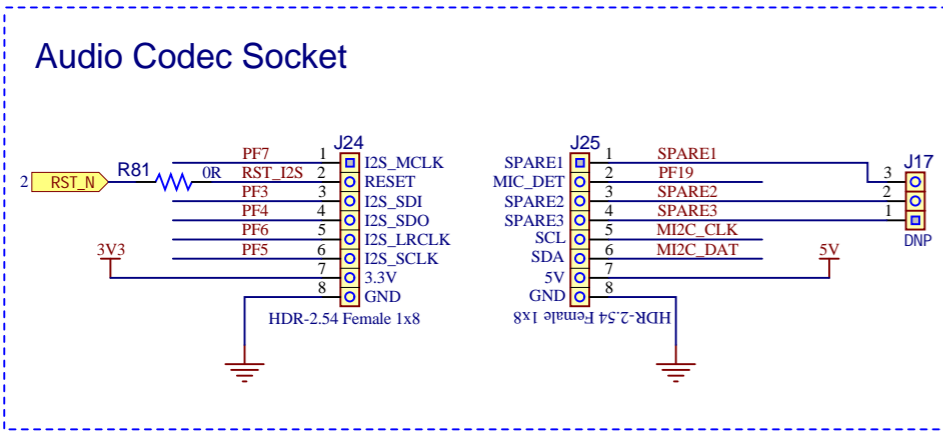
	Microchip Technology, Inc. USB/Network Group - UNG www.Microchip.com	Designed with
	Description: EVB-USB7206 Anorak Page Title: USB7206 Part 1, SPI, Reset Project Name: EVB-USB7206 PN: UNG8190 Size: B Date: 9/26/2018 Designer: Connor Chilton Sheet 2 of 7 Rev A1	

USB7206 Part 2. Upstream Port, Audio + I2C connectors

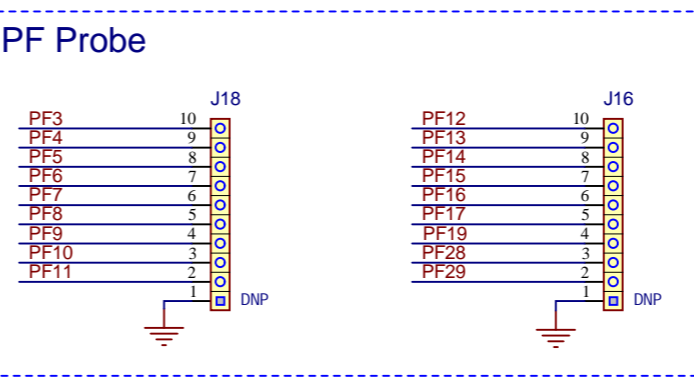
Upstream USB-B Port



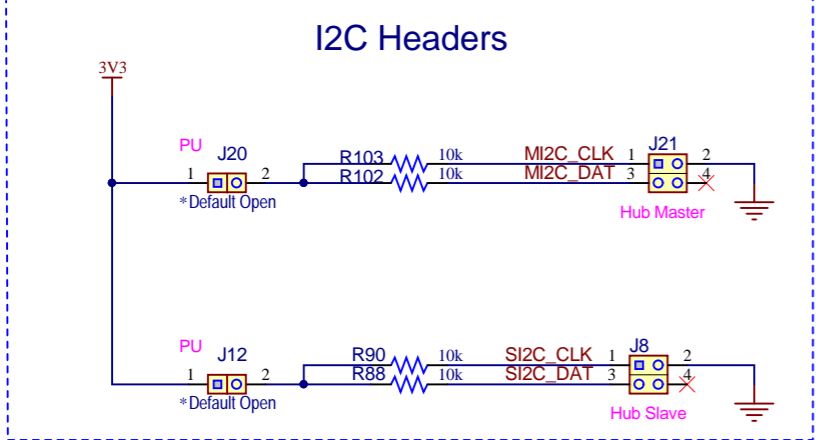
Audio Codec Socket



PF Probe

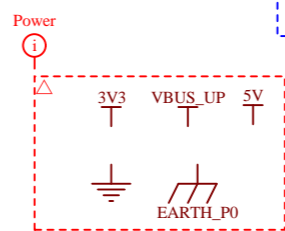


I2C Headers



Default PF Functions

PF3	I2S_SDI	PF17	PRT_CTL1/OCS
PF4	I2S_SDO	PF18	MSTR_I2C_CLK
PF5	I2S_CLK	PF19	GPIO (MIC_DET)
PF6	I2S_LRCK	PF20	SPI_CE_N
PF7	I2S_MCLK	PF21	SPI_CLK
PF8	PF8	PF22	SPI_D0
PF9	PF9	PF23	SPI_D1
PF10	PRT_CTL3_U3	PF24	SPI_D2
PF11	PRT_CTL4_U3	PF25	SPI_D3
PF12	PRT_CTL5_U3	PF26	SLV_I2C_CLK
PF13	PRT_CTL5/OCS	PF27	SLV_I2C_DATA
PF14	PRT_CTL4/OCS	PF28	PRT_CTL6/OCS
PF15	PRT_CTL3/OCS	PF29	GPIO
PF16	PRT_CTL2/OCS	PF30	VBUS_DET
		PF31	MSTR_I2C_DATA

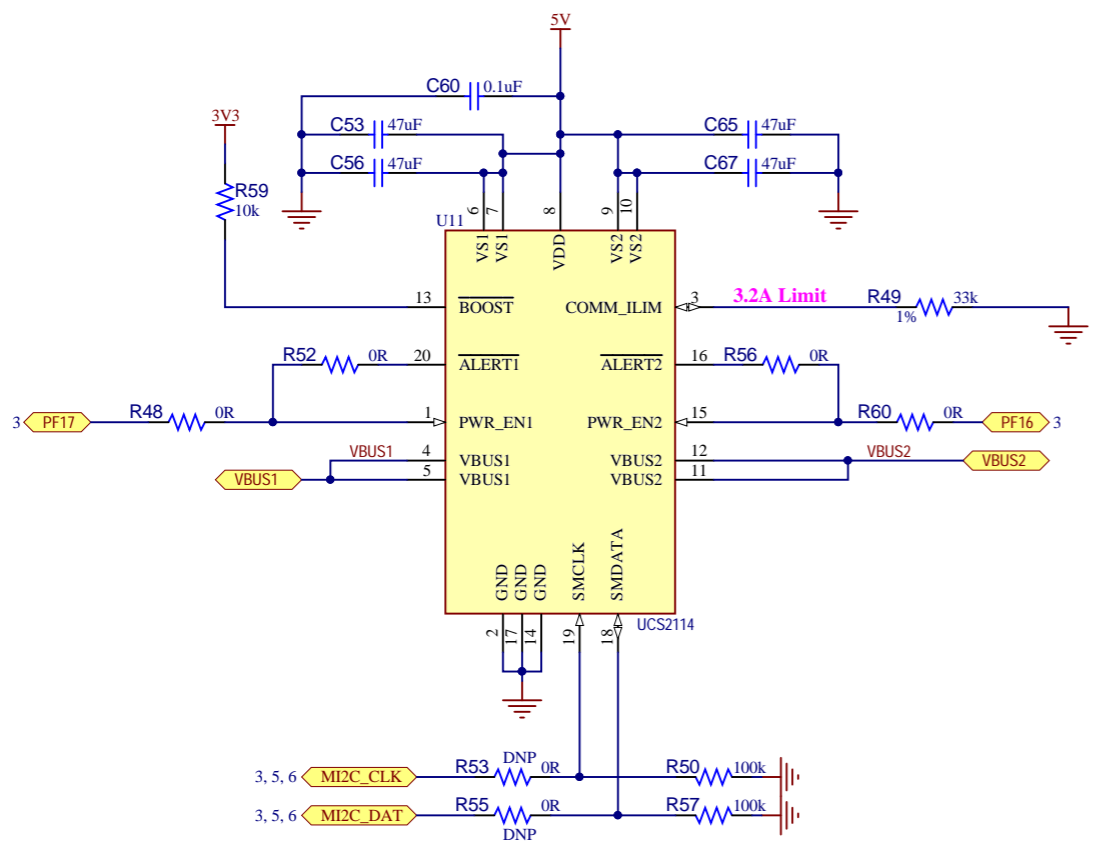


Microchip Technology, Inc.
USB/Network Group - UNG
www.Microchip.com

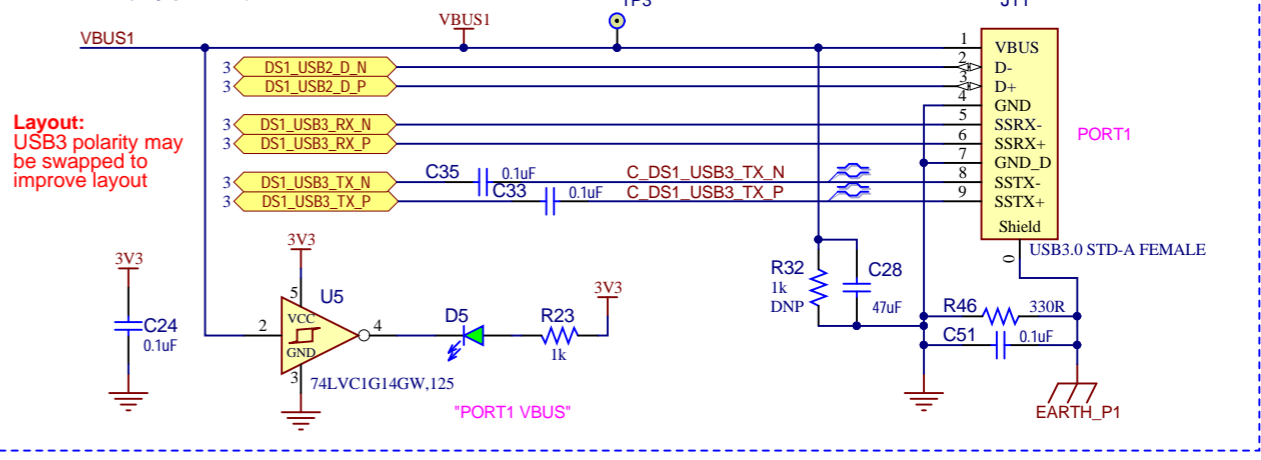
Description: EVB-USB7206 Anorak	
Page Title: USB7206 Part 2. Upstream Port, Audio + I2C connectors	
Project Name: EVB-USB7206	PN: UNG8190
Size: B	Date: 9/28/2018
Designer: Connor Chilton	Sheet 3 of 7
	Rev A1

Downstream Ports 1 and 2

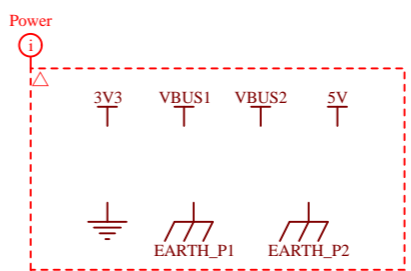
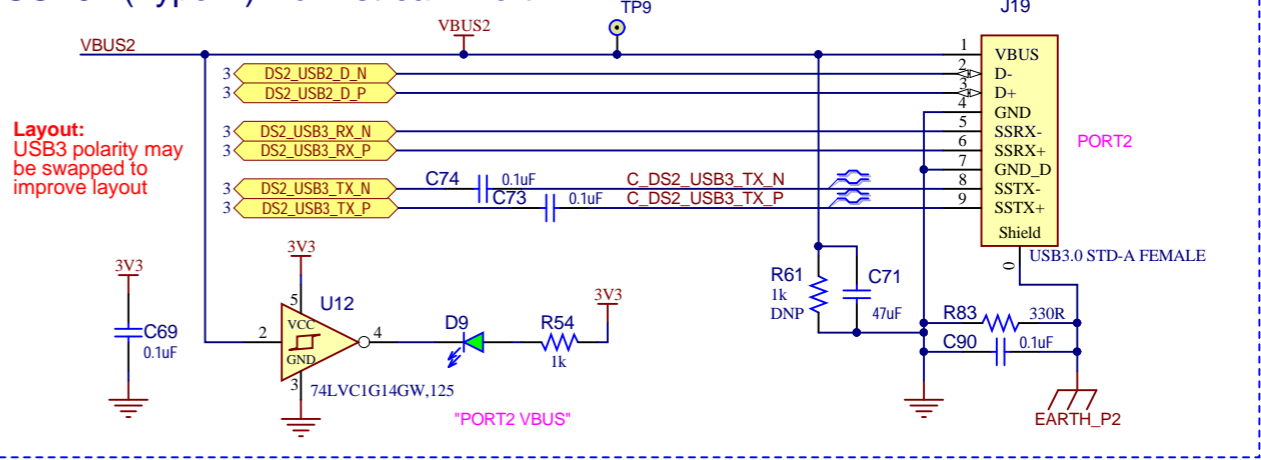
UCS2114 Power Switch For Port1 and Port2



USB3.1(Type-A) Downstream Port 1



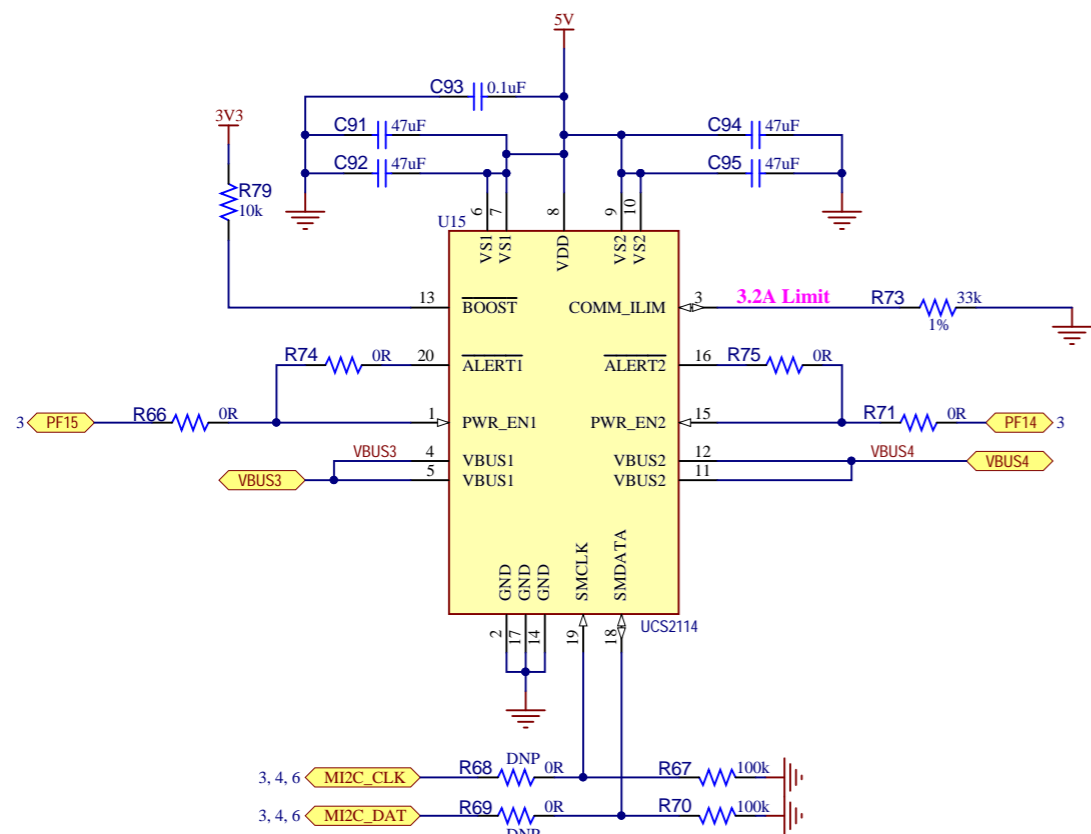
USB3.1(Type-A) Downstream Port 2



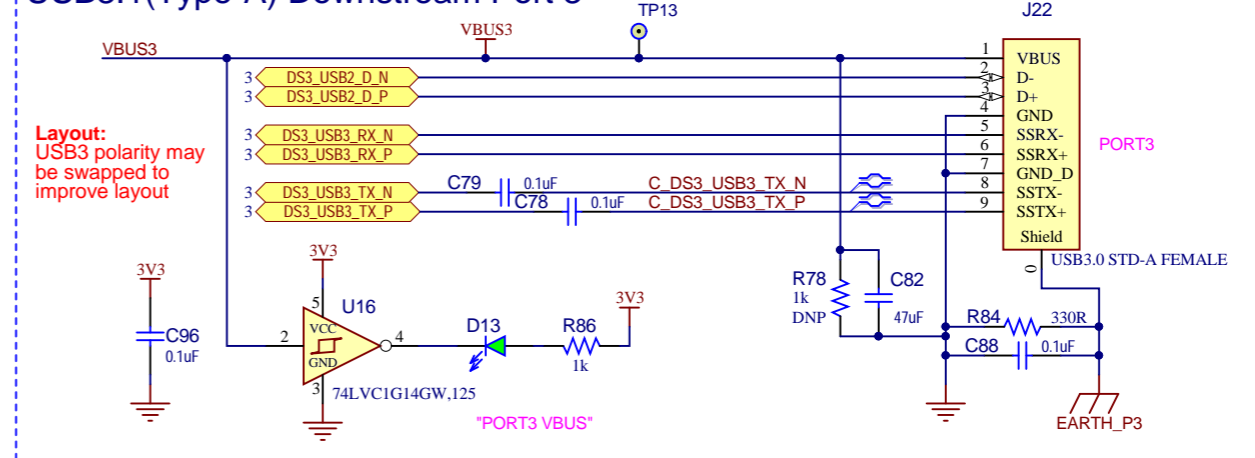
	Microchip Technology, Inc. USB/Network Group - UNG www.Microchip.com	Designed with
	Description: EVB-USB7206 Anorak	
Page Title: Downstream Ports 1 and 2		
Project Name: EVB-USB7206		PN: UNG8190
Size: B	Date: 9/26/2018	Designer: Connor Chilton
Sheet 4 of 7		Rev A1

Downstream Ports 3 and 4

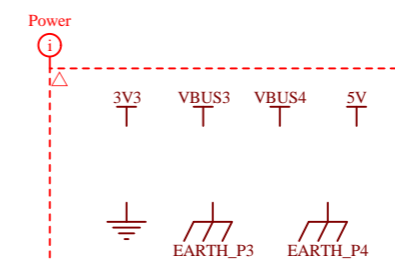
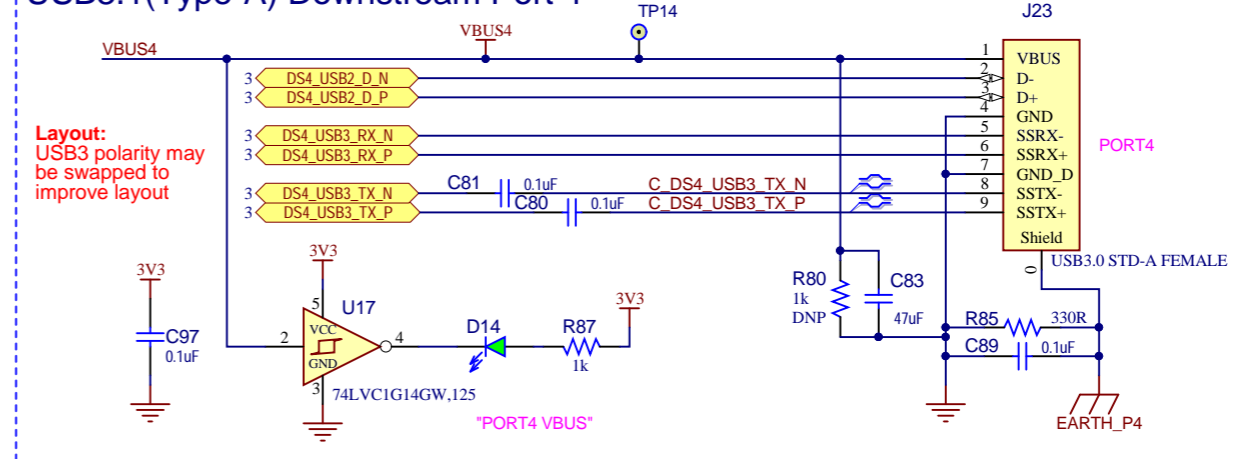
UCS2114 Power Switch For Port3 and Port4



USB3.1(Type-A) Downstream Port 3



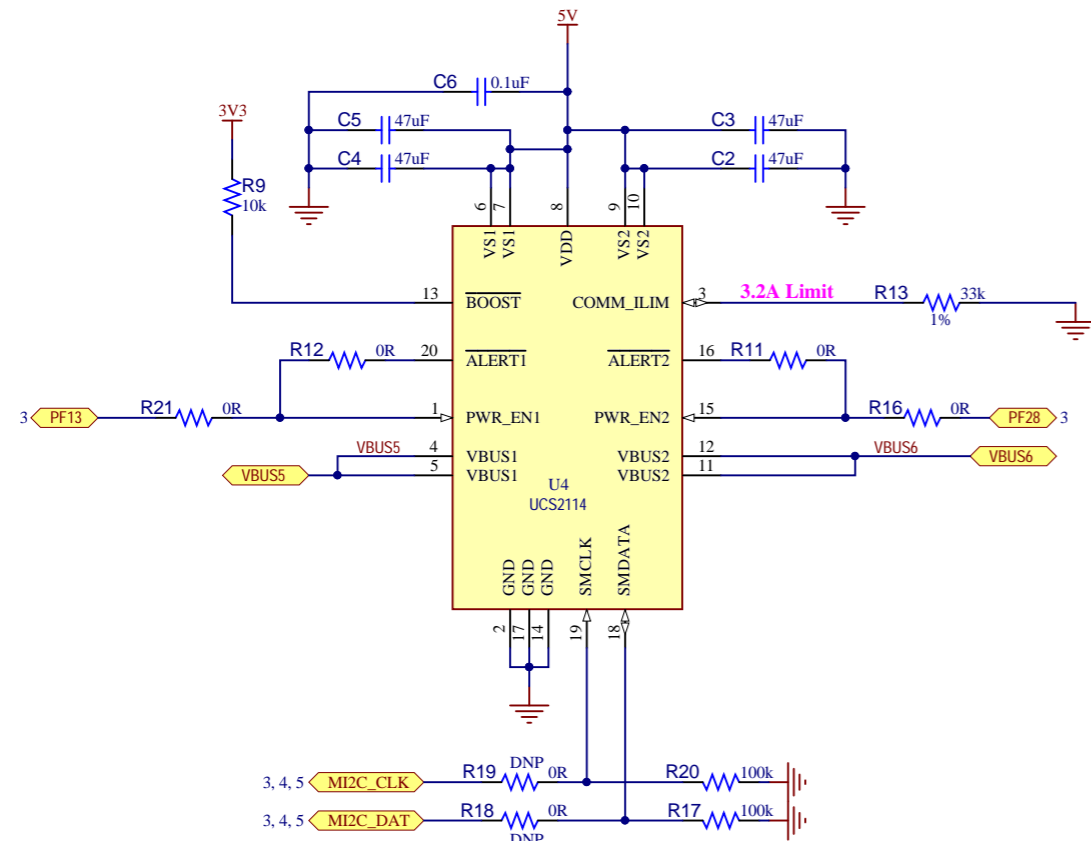
USB3.1(Type-A) Downstream Port 4



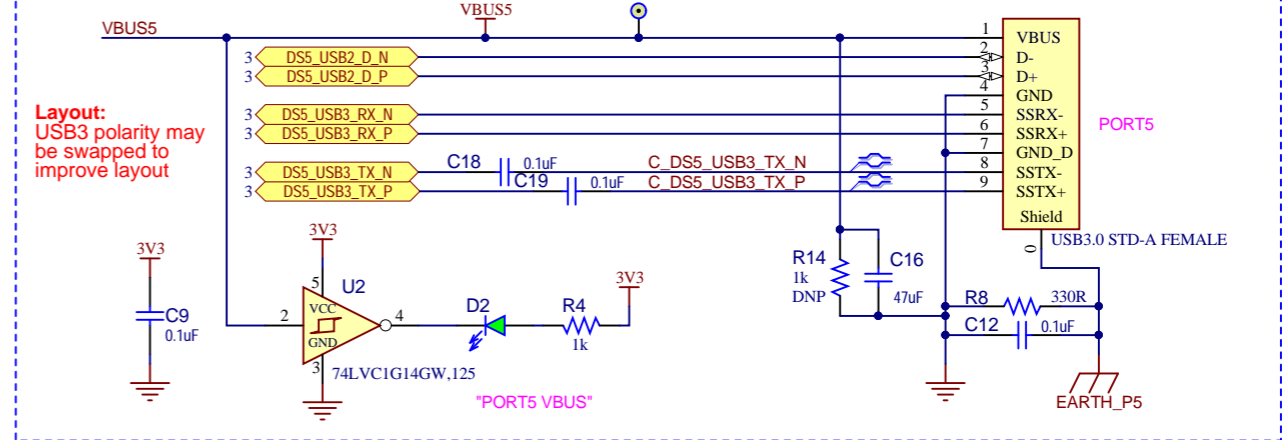
		Microchip Technology, Inc. USB/Network Group - UNG www.Microchip.com		Designed with 	
Description: EVB-USB7206 Anorak					
Page Title: Downstream Ports 3 and 4					
Project Name: EVB-USB7206				PN: UNG8190	
Size: B	Date: 9/26/2018	Designer: Connor Chilton	Sheet 5 of 7	Rev A1	

Downstream Ports 5 and 6

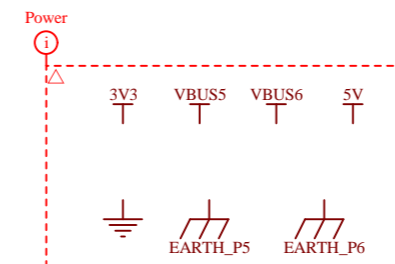
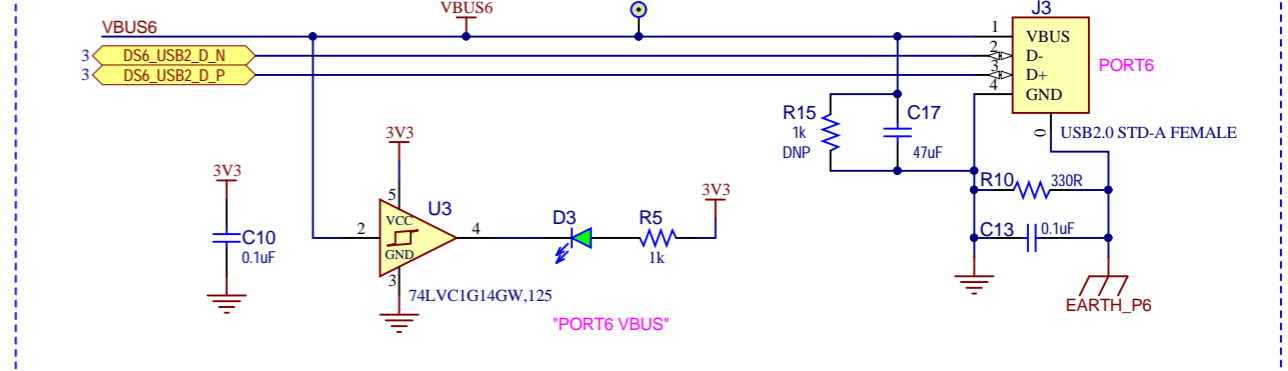
UCS2114 Power Switch For Port5 and Port6



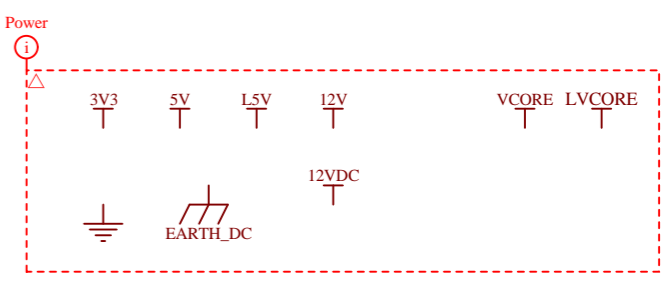
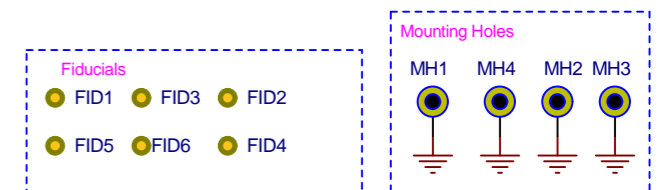
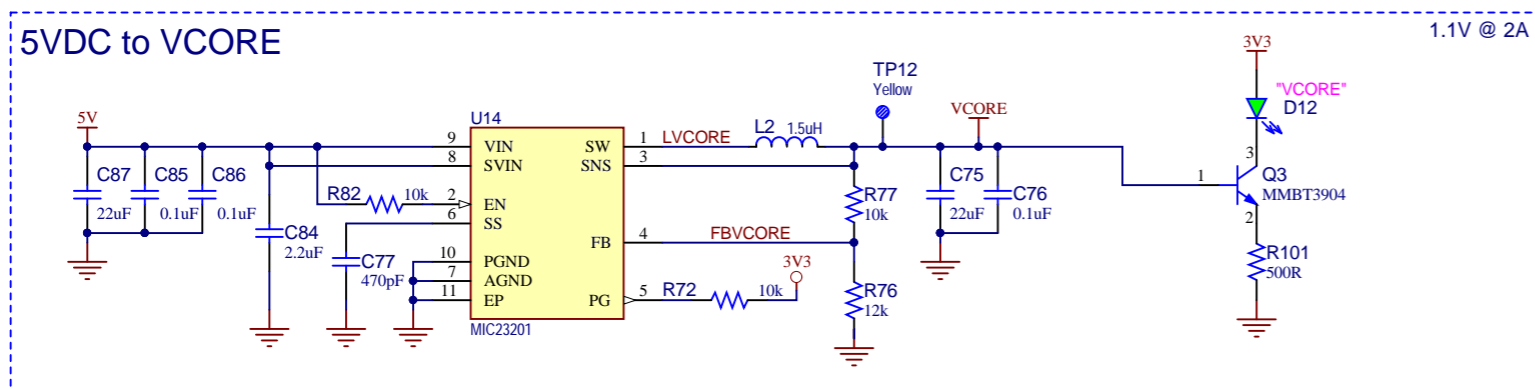
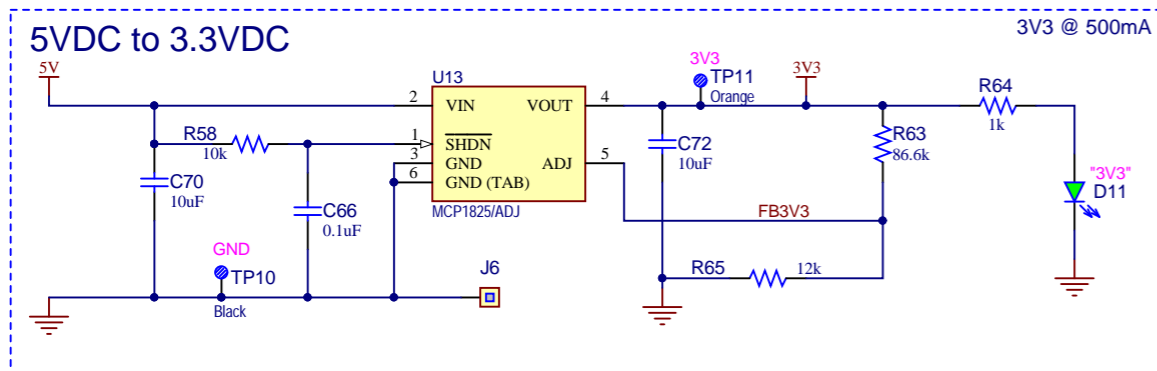
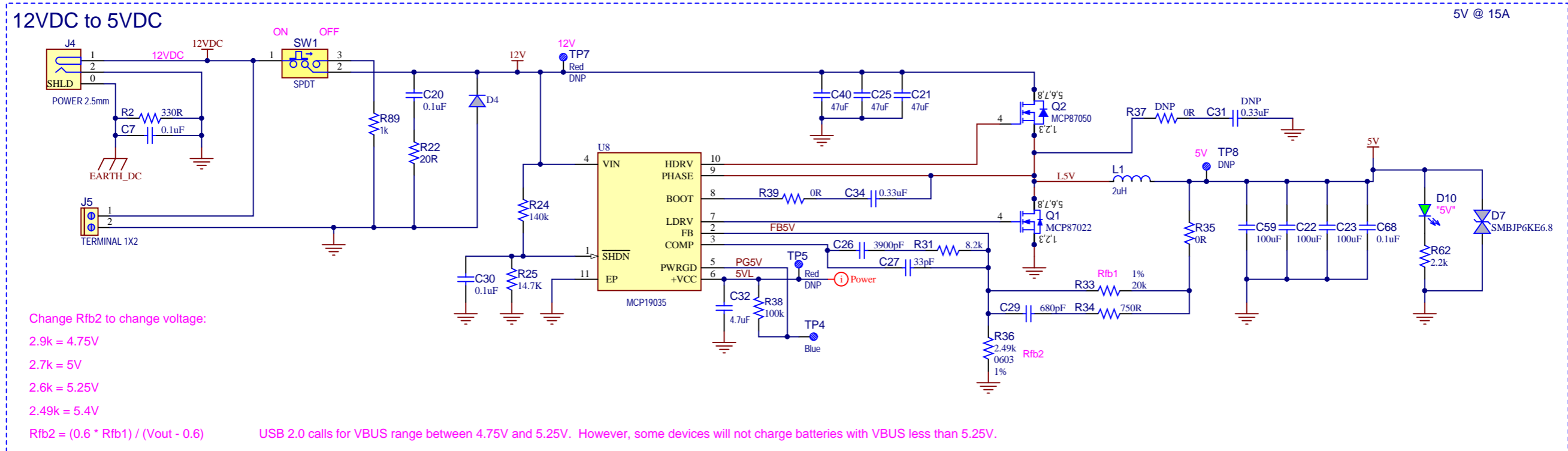
USB3.1(Type-A) Downstream Port 5



USB-A Downstream Port 6



Power Regulators



MICROCHIP Designed with **Altium**

Microchip Technology, Inc.
USB/Network Group - UNG
www.Microchip.com

Description: **EVB-USB7206 Anorak**

Page Title: **Power Regulators**

Project Name: **EVB-USB7206** PN: **UNG8190**

Size: B | Date: **7/9/2019** | Designer: **Connor Chilton** | Sheet 7 of 7 | Rev A1