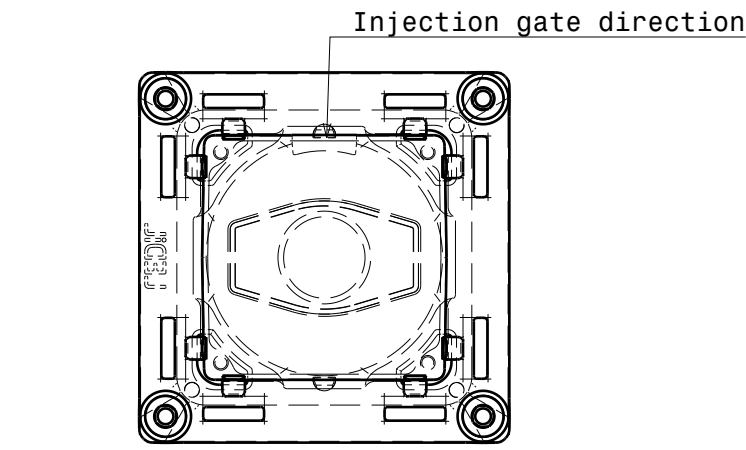
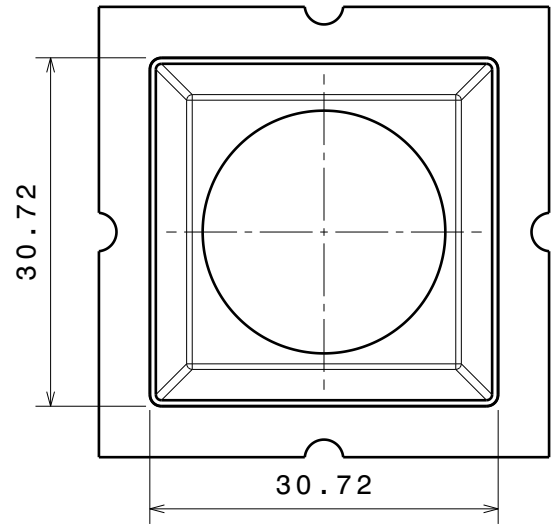
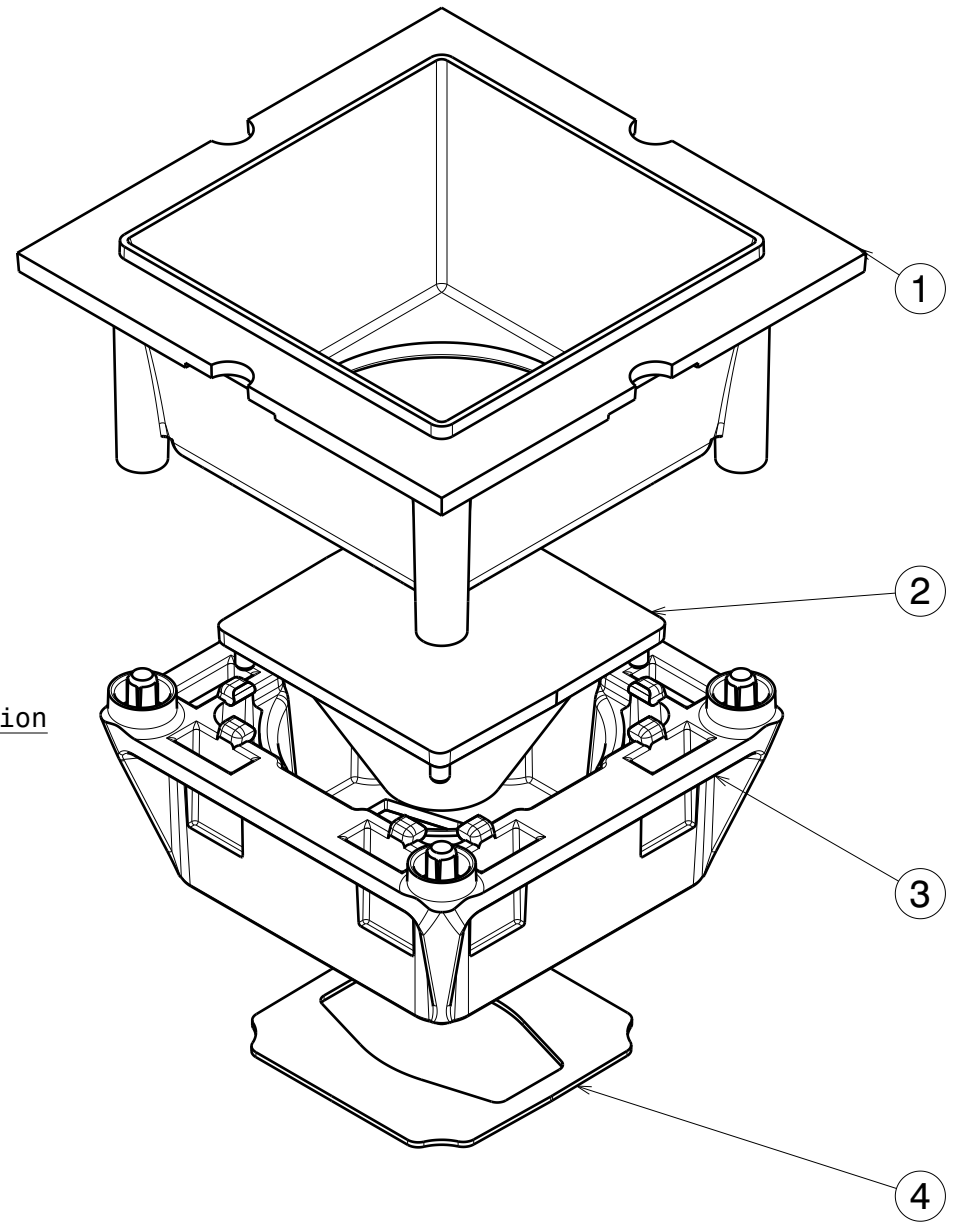


Bottom view
Scale: 2:1

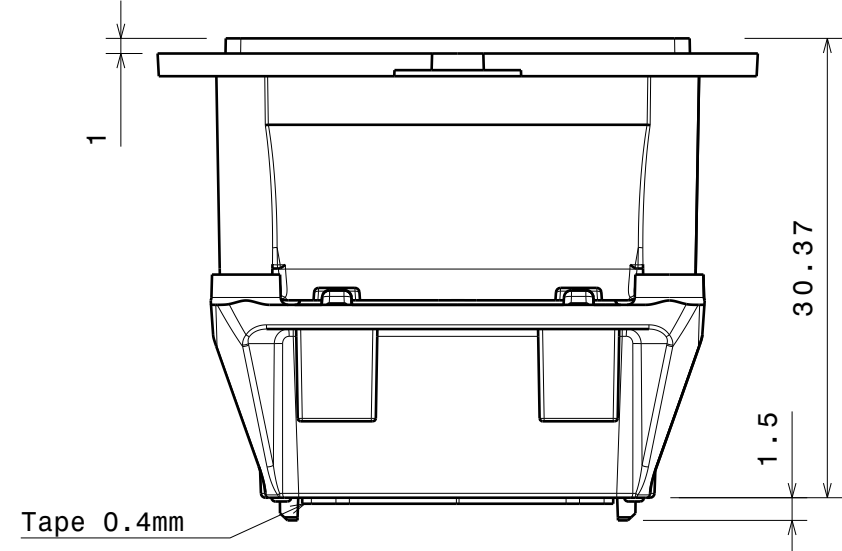


Top view
Scale: 3:2



Assembly:

1. Press holder firmly five seconds (with lenses assembled) to PCB. Inspect that the positioning pins are securely in their holes.
2. Press the shade firmly down on the holder until they are securely attached.



Front view
Scale: 2:1

Tolerances if not otherwise shown
According to DIN ISO 2768-1
Linear measures:
Up to 30mm class M, otherwise class C.
According to DIN ISO 2768-2
Form and position: class L

LEDiL Ledil Oy
Salorankatu 10
FIN 24240 SALO
Finland

THIRD ANGLE PROJECTION:

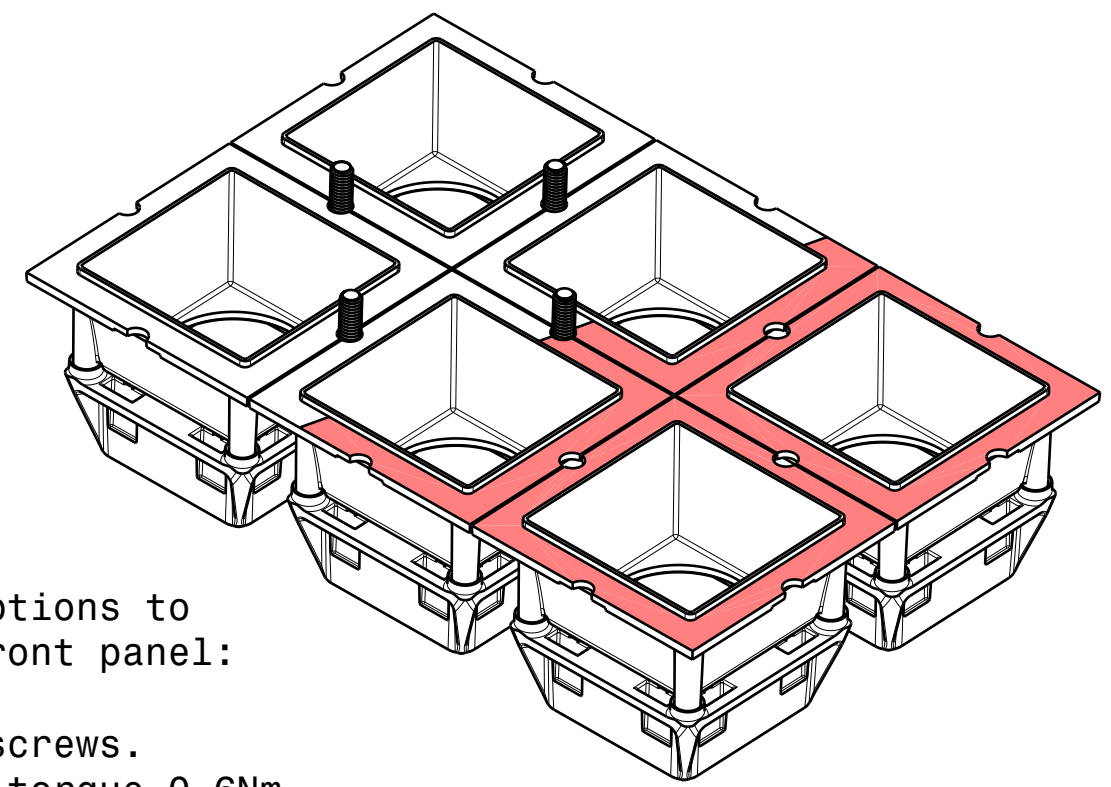
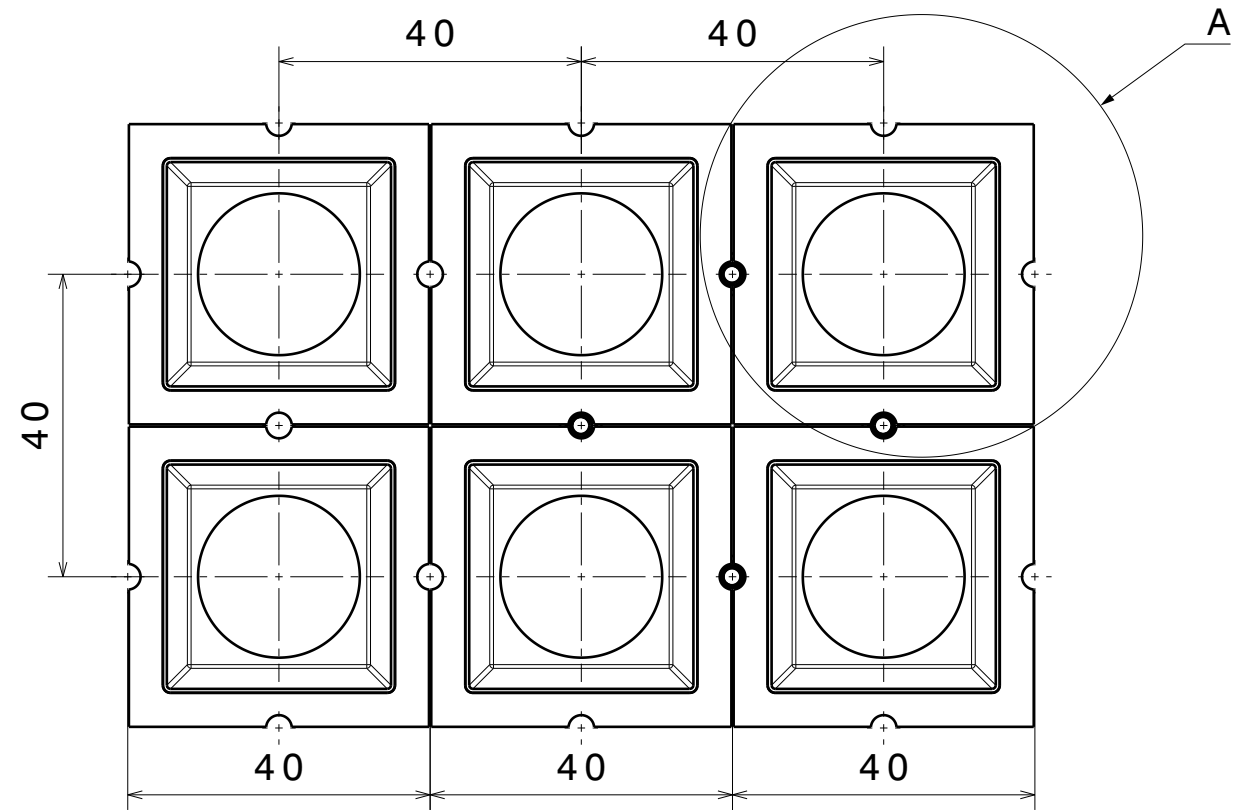
DRAWING TITLE
Florentina-1_AssemblyGuide

This drawing is the property of LEDiL Oy. It may not be reproduced, copied or communicated without a written agreement with LEDiL Oy.

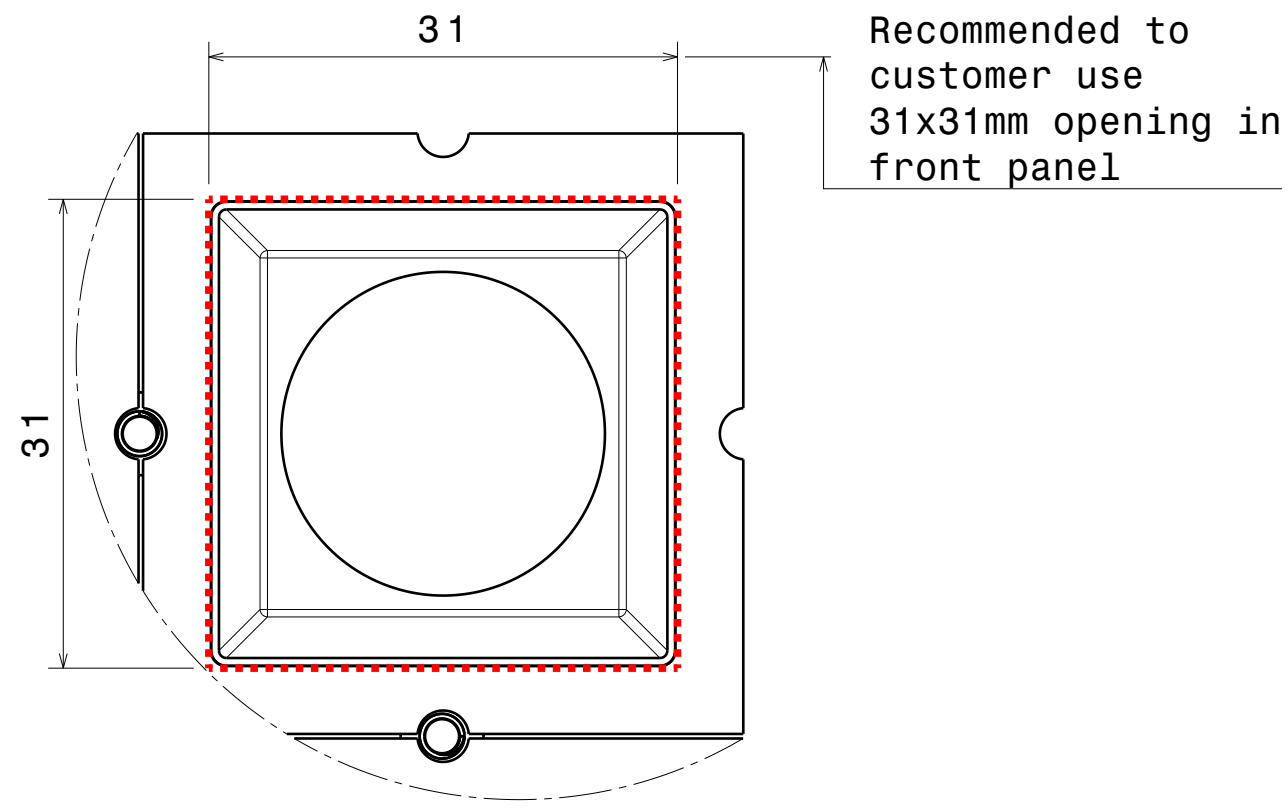
SIZE PART NUMBER
A3 -

INDEX	PART NO	DESCRIPTION	MATERIAL	COLOUR
1		FLORENTINA-1-SHD	PC	black
2		Rose-CMC series		
3	C15426	FLORENTINA-1-HLD	PC	black
4	C10278	ROSE-TAPE	PU 2-sided adhesive foam tape	


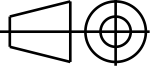
SCALE 2:1 WEIGHT - SHEET 1/1



Fastening options to customer's front panel:
 Glue or M3 screws.
 Recommended torque 0.6Nm.



Recommended to customer use 31x31mm opening in front panel

Tolerances if not otherwise shown According to DIN ISO 2768-1 Linear measures: Up to 30mm class M, otherwise class C. According to DIN ISO 2768-2 Form and position: class L		 Ledil Oy Salorankatu 10 FIN 24240 SALO Finland	
THIRD ANGLE PROJECTION: 		DRAWING TITLE Florentina-1_AssemblyGuide	
This drawing is the property of LEDiL Oy. It may not be reproduced, copied or communicated without a written agreement with LEDiL Oy.		SIZE A3	PART NUMBER -
SCALE 2:1		WEIGHT -	SHEET 1/1