

## Multiversity™ Indoor Antenna

### MIA8063 • Wall or Ceiling Mount MIA8063ST • Acoustic Ceiling Mount

Enclosed is the new multi-purpose Multiversity indoor antenna from Antenex, Inc. With proper mounting, the Multiversity antenna will provide years of trouble free service. Figure 1 depicts a template for the proper positioning of your antenna. The antenna is packaged with a self-adhesive pad for quick mounting. It is also packaged with anchors and screws for more rugged mounting. Included is a resin spacer that allows mounting to a brick wall. The spacer allows for feedline routing.

#### MIA8063 Wall or Ceiling Mount

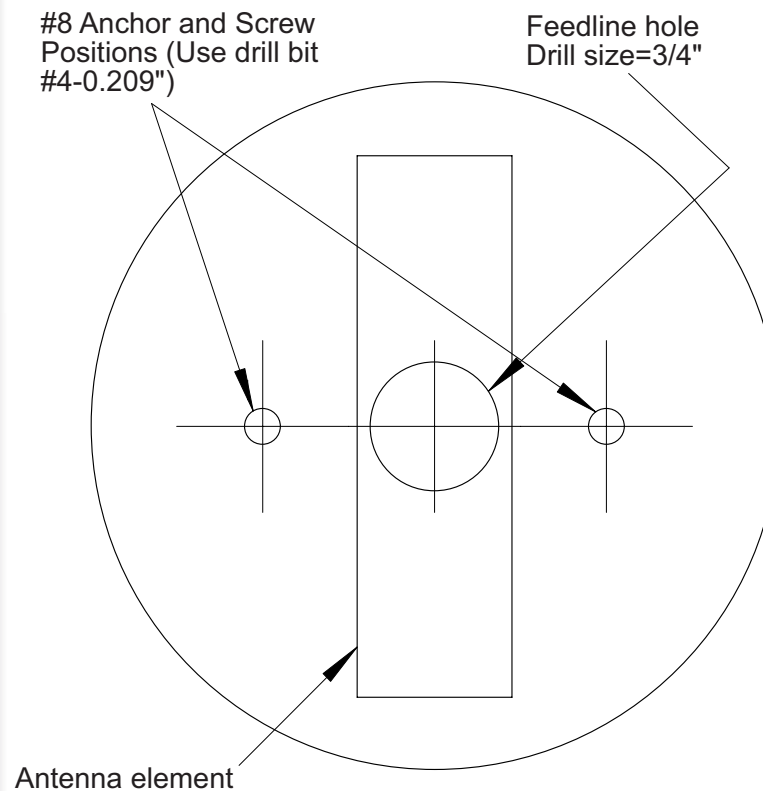
Follow these steps for pad mounting:

1. Decide on a smooth non-metallic surface to mount the antenna. **Note: For proper operation the antenna must be mounted on a non-metallic surface.** On drywall surfaces, beware of metal studs- mount antenna between studs.
2. Clean the surface with an appropriate cleaner and dry thoroughly.
3. Remove the protective backing from one side of the pad and attach to the antenna.
4. Element Orientation — for your convenience, we have included a label on the back of the antenna to indicate orientation of the multiple diversity radiating element. Most applications will work best with the element vertically oriented. Some installations may work better with the element in a horizontal orientation. With a vast variety of mounting conditions, orientation issues will need to be addressed by the installer in case-by-case basis.
5. Drill a  $\frac{3}{4}$ " size hole in the center of the mounting position for the feed-line in the center, between the first 2 holes.
6. Thread the feed-line through the center hole and attach to Rx/Tx device.
7. Carefully remove the backing from the other side of the pad and stick the antenna to the surface.

For more rugged screw and anchor mounting, follow these steps:

1. Decide on a non-metallic surface to mount the antenna. **Note: For proper operation the antenna must be mounted on a non-metallic surface.** On drywall surfaces, beware of metal studs- mount antenna between studs.
2. Element Orientation — for your convenience, we have included a label on the back of the antenna to indicate orientation of the multiple diversity radiating element. Most applications will work best with the element vertically oriented. Some installations may work better with the element in a horizontal orientation. With a vast variety of mounting conditions, orientation issues will need to be addressed by the installer in case-by-case basis.
3. Align the paper template where you want the antenna mounted and drill two .209" holes where indicated on the template (#4).
4. Drill another  $\frac{3}{4}$ " size hole for the feed-line in the center, between the first 2 holes unless you are mounting to a brick wall. In this case, use the resin spacer.
5. Install the two plastic anchors into the mounting holes until the antenna is tight to the wall.
6. Remove the cover from the antenna.
7. Install the two #8 self-threading screws through the mounting holes and into the anchors until they are  $\frac{1}{8}$ " from flush.
8. Thread the feed-line through the center hole and attach to Rx/Tx device.
9. Re-install the antenna cover on the antenna.

## Template for Mounting



#### MIA8063ST • Acoustic Ceiling Mount

1. Choose a location in the center of a ceiling tile to mount the antenna.
2. Cut a 1" diameter hole in the tile.
3. Install the stud of the antenna through the hole and secure the antenna with the washer and hex nut supplied.
4. Attach the Rx/Tx device to the antenna.