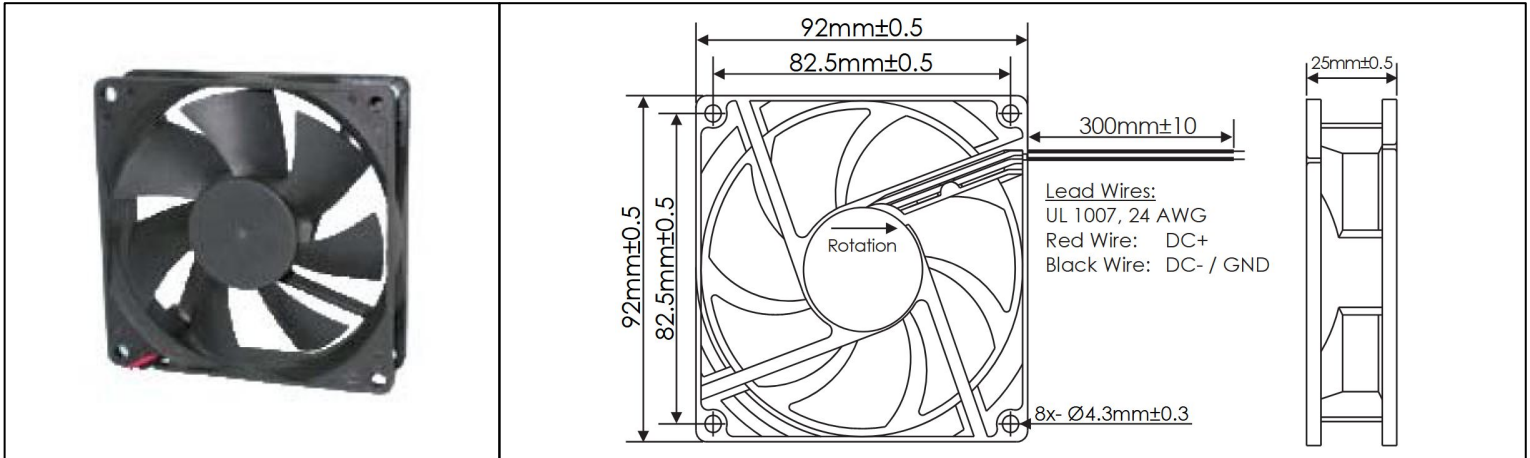


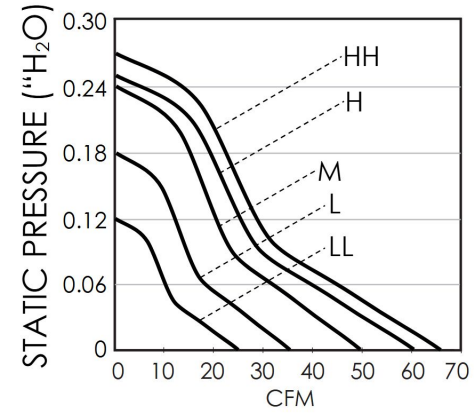
# OD9225 Series



DC Fans - 12, 24, 48V  
92mm x 25mm (3.6" x 1.0")



Frame	PBT, UL94 V-0 Plastic	<b>Operating Temperature</b> -20°C ~ +65°C  <b>Storage Temperature</b> -20°C ~ +75°C  <b>Life Expectancy</b> 70,000 Hours (L10 at 40°C)  <b>Available Options</b> PWM Speed Control Input Tachometer Output Alarm Output 5V Models IP Ratings  Weight: 0.18 lbs
Impeller	PBT, UL94 V-0 Plastic	
Connection	2x Lead Wires, 24 AWG	
Motor	Brushless DC, Auto Cutoff, Auto Restart, Polarity Protected, Electronically Protected	
Bearing System	Ball Bearings	
Dielectric Strength	500VDC/min, <1mA	
Insulation Resistance	≥10M Ohm @ 500 VDC	

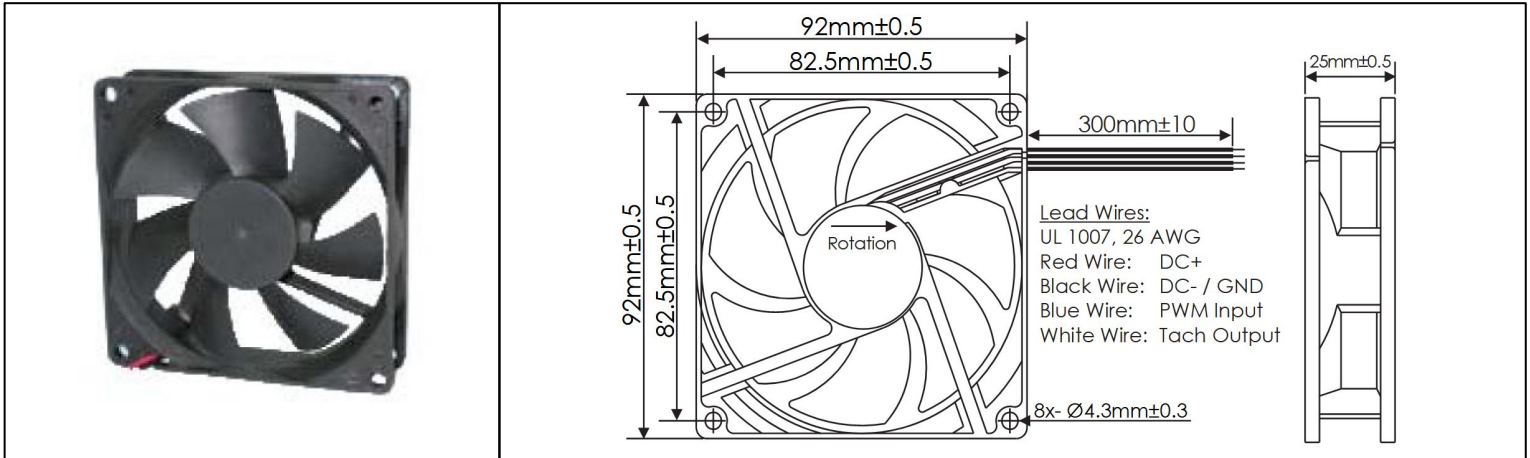


Part Number	Rated Voltage (Volts DC)	Voltage Range (Volts DC)	Input Power (Watts)	Rated Current (Amps)	Rated Speed (RPM)	Max Airflow (CFM)	Noise Level (dBA)	Max Static Pressure ("H <sub>2</sub> O)
OD9225-12HHB	12	8 ~ 13.8	3.0	0.29	3575	65.7	43	0.27
OD9225-12HB	12	8 ~ 13.8	3.0	0.29	3325	60.2	38	0.25
OD9225-12MB	12	8 ~ 13.8	3.0	0.29	2900	49.8	35	0.24
OD9225-12LB	12	8 ~ 13.8	2.1	0.20	2475	35.3	30	0.18
OD9225-12LLB	12	8 ~ 13.8	1.4	0.12	1850	25.1	23	0.12
OD9225-24HHB	24	15 ~ 26.4	3.5	0.18	3575	65.7	43	0.27
OD9225-24HB	24	15 ~ 26.4	3.5	0.18	3325	60.2	38	0.25
OD9225-24MB	24	15 ~ 26.4	3.5	0.18	2900	49.8	35	0.24
OD9225-24LB	24	15 ~ 26.4	2.8	0.12	2475	35.3	30	0.18
OD9225-48HHB	48	28 ~ 52.8	3.5	0.09	3575	65.7	43	0.27
OD9225-48HB	48	28 ~ 52.8	4.3	0.09	3325	60.2	38	0.25

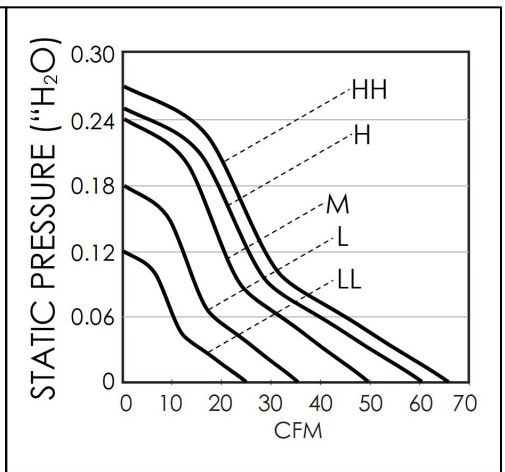
# OD9225 Series with PWM and Tach



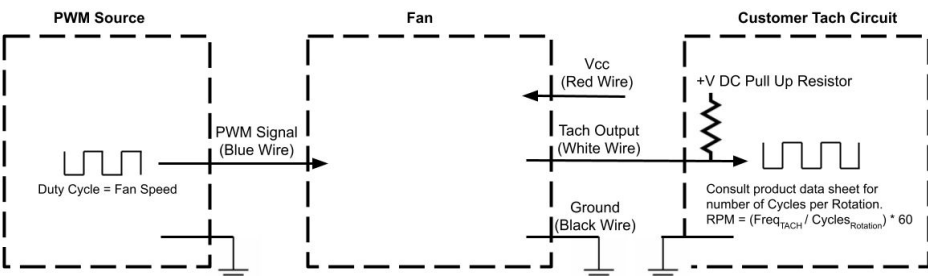
DC Fans - 12, 24, 48V  
92mm x 25mm (3.6" x 1.0")



Frame	PBT, UL94 V-0 Plastic	<b>Operating Temperature</b> -20°C ~ +65°C <b>Storage Temperature</b> -20°C ~ +75°C <b>Life Expectancy</b> 70,000 Hours (L10 at 40°C)
Impeller	PBT, UL94 V-0 Plastic	
Connection	4x Lead Wires, 26 AWG	<b>Installed Options</b> PWM Speed Control Input Open Collector Tach Output  <b>Available Options</b> 5V TTL Tach Output IP Ratings  Weight: 0.18 lbs
Motor	Brushless DC, Auto Cutoff, Auto Restart, Polarity Protected, Electronically Protected	
Bearing System	Ball Bearings	
Dielectric Strength	500VDC/min, <1mA	
Insulation Resistance	≥10M Ohm @ 500 VDC	



Part Number	Rated Voltage (Volts DC)	Voltage Range (Volts DC)	Input Power (Watts)	Rated Current (Amps)	Rated Speed (RPM)	Max Airflow (CFM)	Noise Level (dBA)	Max Static Pressure (\"H <sub>2</sub> O)
OD9225-12HHB10A	12	8 ~ 13.8	3.0	0.29	3575	65.7	43	0.27
OD9225-12HB10A	12	8 ~ 13.8	3.0	0.29	3325	60.2	38	0.25
OD9225-12MB10A	12	8 ~ 13.8	3.0	0.29	2900	49.8	35	0.24
OD9225-12LB10A	12	8 ~ 13.8	2.1	0.20	2475	35.3	30	0.18
OD9225-12LLB10A	12	8 ~ 13.8	1.4	0.12	1850	25.1	23	0.12
OD9225-24HHB10A	24	15 ~ 26.4	3.5	0.18	3575	65.7	43	0.27
OD9225-24HB10A	24	15 ~ 26.4	3.5	0.18	3325	60.2	38	0.25
OD9225-24MB10A	24	15 ~ 26.4	3.5	0.18	2900	49.8	35	0.24
OD9225-24LB10A	24	15 ~ 26.4	2.8	0.12	2475	35.3	30	0.18
OD9225-48HHB10A	48	28 ~ 52.8	3.5	0.09	3575	65.7	43	0.27
OD9225-48HB10A	48	28 ~ 52.8	4.3	0.09	3325	60.2	38	0.25

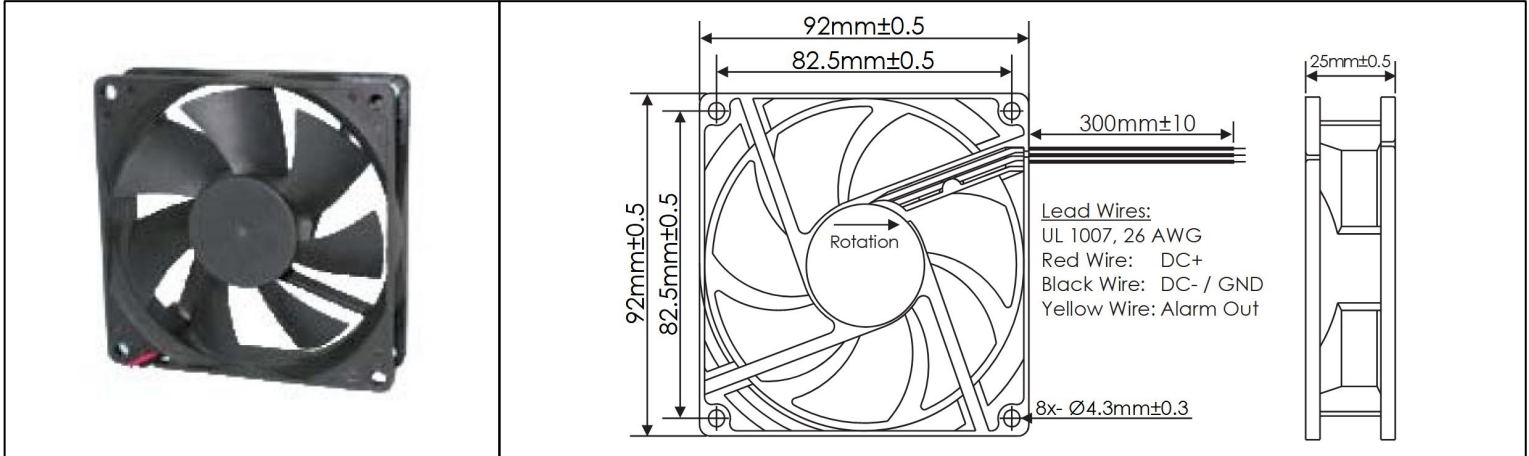


PWM Max High Voltage: 5.5V  
 PWM Max Sink Current: 5mA  
 PWM Frequency Range: 1KHz-100KHz  
 PWM Typical Frequency: 25KHz  
 RPM at 0% Duty Cycle: 0 RPM  
 RPM will be full speed if PWM input is disconnected.  
 RPM will be 0 if PWM input is 0V or grounded.  
 Tach Max Pullup Voltage: Fan Vcc  
 Tach Max Sink Current: 5mA  
 Tach Cycles per Rotation: 2

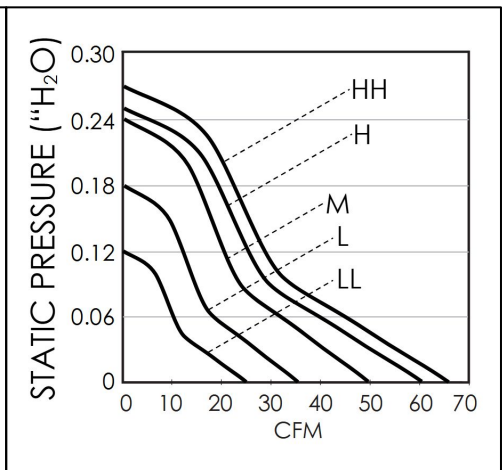
# OD9225 Series with Alarm



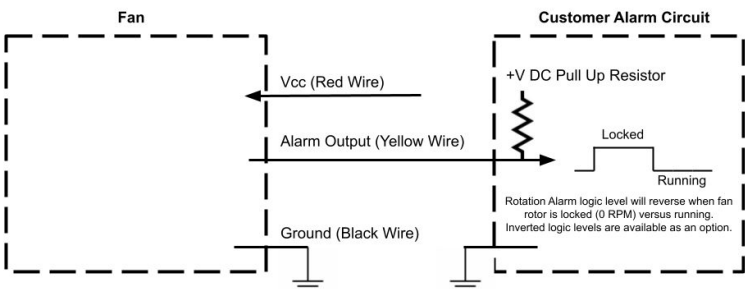
DC Fans - 12, 24, 48V  
92mm x 25mm (3.6" x 1.0")



Frame	PBT, UL94 V-0 Plastic	<b>Operating Temperature</b> -20°C ~ +65°C <b>Storage Temperature</b> -20°C ~ +75°C <b>Life Expectancy</b> 70,000 Hours (L10 at 40°C)
Impeller	PBT, UL94 V-0 Plastic	
Connection	3x Lead Wires, 26 AWG	<b>Installed Options</b> Open Collector Alarm Output  <b>Available Options</b> 5V TTL Alarm Output Inverted Alarm Type IP Ratings
Motor	Brushless DC, Auto Cutoff, Auto Restart, Polarity Protected, Electronically Protected	
Bearing System	Ball Bearings	<b>Weight:</b> 0.18 lbs
Dielectric Strength	500VDC/min, <1mA	
Insulation Resistance	≥10M Ohm @ 500 VDC	



Part Number	Rated Voltage (Volts DC)	Voltage Range (Volts DC)	Input Power (Watts)	Rated Current (Amps)	Rated Speed (RPM)	Max Airflow (CFM)	Noise Level (dBA)	Max Static Pressure (\"H <sub>2</sub> O)
OD9225-12HHB02A	12	8 ~ 13.8	3.0	0.29	3575	65.7	43	0.27
OD9225-12HB02A	12	8 ~ 13.8	3.0	0.29	3325	60.2	38	0.25
OD9225-12MB02A	12	8 ~ 13.8	3.0	0.29	2900	49.8	35	0.24
OD9225-12LB02A	12	8 ~ 13.8	2.1	0.20	2475	35.3	30	0.18
OD9225-12LLB02A	12	8 ~ 13.8	1.4	0.12	1850	25.1	23	0.12
OD9225-24HHB02A	24	15 ~ 26.4	3.5	0.18	3575	65.7	43	0.27
OD9225-24HB02A	24	15 ~ 26.4	3.5	0.18	3325	60.2	38	0.25
OD9225-24MB02A	24	15 ~ 26.4	3.5	0.18	2900	49.8	35	0.24
OD9225-24LB02A	24	15 ~ 26.4	2.8	0.12	2475	35.3	30	0.18
OD9225-48HHB02A	48	28 ~ 52.8	3.5	0.09	3575	65.7	43	0.27
OD9225-48HB02A	48	28 ~ 52.8	4.3	0.09	3325	60.2	38	0.25



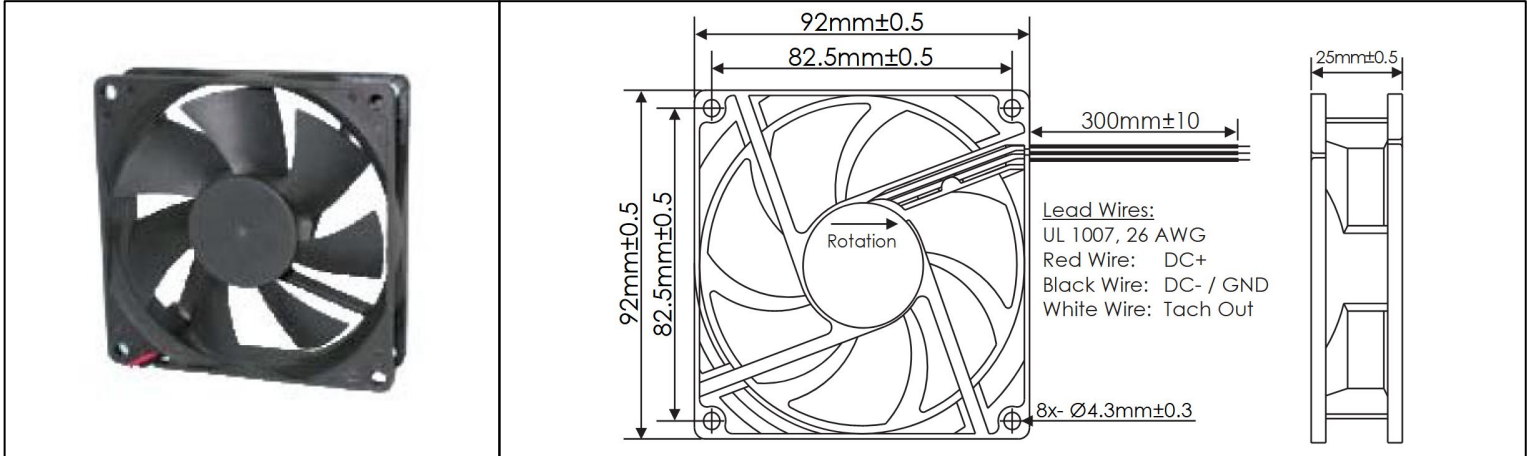
Alarm Max Pullup Voltage: Fan Vcc  
 Alarm Max Sink Current: 5mA  
 Alarm Active State: HIGH



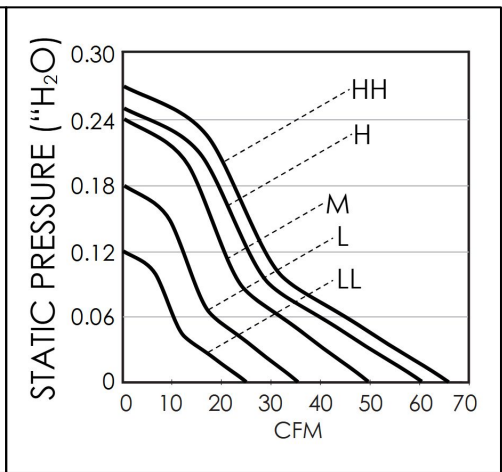
# OD9225 Series with Tach



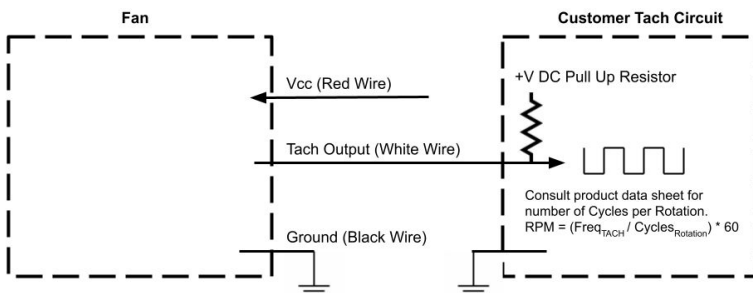
DC Fans - 12, 24, 48V  
92mm x 25mm (3.6" x 1.0")



Frame	PBT, UL94 V-0 Plastic	<b>Operating Temperature</b> -20°C ~ +65°C <b>Storage Temperature</b> -20°C ~ +75°C <b>Life Expectancy</b> 70,000 Hours (L10 at 40°C)
Impeller	PBT, UL94 V-0 Plastic	
Connection	3x Lead Wires, 26 AWG	<b>Installed Options</b> Open Collector Tach Output  <b>Available Options</b> 5V TTL Tach Output IP Ratings  Weight: 0.18 lbs
Motor	Brushless DC, Auto Cutoff, Auto Restart, Polarity Protected, Electronically Protected	
Bearing System	Ball Bearings	
Dielectric Strength	500VDC/min, <1mA	
Insulation Resistance	≥10M Ohm @ 500 VDC	



Part Number	Rated Voltage (Volts DC)	Voltage Range (Volts DC)	Input Power (Watts)	Rated Current (Amps)	Rated Speed (RPM)	Max Airflow (CFM)	Noise Level (dBA)	Max Static Pressure (\"H <sub>2</sub> O)
OD9225-12HHB01A	12	8 ~ 13.8	3.0	0.29	3575	65.7	43	0.27
OD9225-12HB01A	12	8 ~ 13.8	3.0	0.29	3325	60.2	38	0.25
OD9225-12MB01A	12	8 ~ 13.8	3.0	0.29	2900	49.8	35	0.24
OD9225-12LB01A	12	8 ~ 13.8	2.1	0.20	2475	35.3	30	0.18
OD9225-12LLB01A	12	8 ~ 13.8	1.4	0.12	1850	25.1	23	0.12
OD9225-24HHB01A	24	15 ~ 26.4	3.5	0.18	3575	65.7	43	0.27
OD9225-24HB01A	24	15 ~ 26.4	3.5	0.18	3325	60.2	38	0.25
OD9225-24MB01A	24	15 ~ 26.4	3.5	0.18	2900	49.8	35	0.24
OD9225-24LB01A	24	15 ~ 26.4	2.8	0.12	2475	35.3	30	0.18
OD9225-48HHB01A	48	28 ~ 52.8	3.5	0.09	3575	65.7	43	0.27
OD9225-48HB01A	48	28 ~ 52.8	4.3	0.09	3325	60.2	38	0.25



Tach Max Pullup Voltage: Fan Vcc  
 Tach Max Sink Current: 5mA  
 Tach Cycles per Rotation: 2