



# Product Discontinuation Notification

PDN-22-17 PN Series Actuation force codes E and F

---

**C&K**

Office 1007-8, 10/F, Harcourt House, 39 Gloucester Road, Wanchai, Hong Kong  
Tel: +852 3713 5288      [ckswitches.com](http://ckswitches.com)

Document subject to change without prior notice



## Document revision

Revision	Date	Description	Author
A	9 <sup>th</sup> June 2022	Creation	Dongjin Huang/Edward Mork

---

**C&K**

Office 1007-8, 10/F, Harcourt House, 39 Gloucester Road, Wanchai, Hong Kong  
Tel: +852 3713 5288      ckswitches.com

Document subject to change without prior notice



## Summary

1. Purpose .....	4
2. Discontinuation details.....	4
2.1 Part References affected.....	4
2.2 Possible replacement .....	4
2.3 Reason for discontinuation .....	4
3. Date of application.....	5
4. Acknowledgement .....	5
5. Support .....	5

---

### C&K

Office 1007-8, 10/F, Harcourt House, 39 Gloucester Road, Wanchai, Hong Kong  
Tel: +852 3713 5288      ckswitches.com

Document subject to change without prior notice

**1. Purpose**

This document describes the discontinuation of part numbers in PN series pushbutton.

**2. Discontinuation details**

*2.1 Part numbers affected*

Item Number	Item Description	Description
PN21LFNA03QE	SWITCH PN21 MOM.- NON SHORTING	All the P/Ns are being discontinued.
PN21LENA03QE	SWITCH PN21 MOM.- NON SHORTING	
PN22LENA03QE	SWITCH PN22 LOCK.-NON SHORTING	
PN22LESA03QE	SWITCH PN22 LOCK.- SHORTING	
PN41LENA02QE	SWITCH PN41 MOM.-WHITE	

*2.2 Possible replacements*

Obsolete, Affected Part Numbers		Suggested Replacements Part Numbers	
Item Number	Item Description	Item Number	Item Description
PN21LFNA03QE	SWITCH PN21 MOM.- NON SHORTING	No replacement	
PN21LENA03QE	SWITCH PN21 MOM.- NON SHORTING	PN21LHNA03QE	SWITCH PN21 MOM.- NON SHORTING
PN22LENA03QE	SWITCH PN22 LOCK.-NON SHORTING	PN22LHNA03QE	SWITCH PN22 LOCK.- NON SHORTING
PN22LESA03QE	SWITCH PN22 LOCK.- SHORTING	PN22LHSA03QE	SWITCH PN22 LOCK.- SHORTING
PN41LENA02QE	SWITCH PN41 MOM.-WHITE	No replacement	

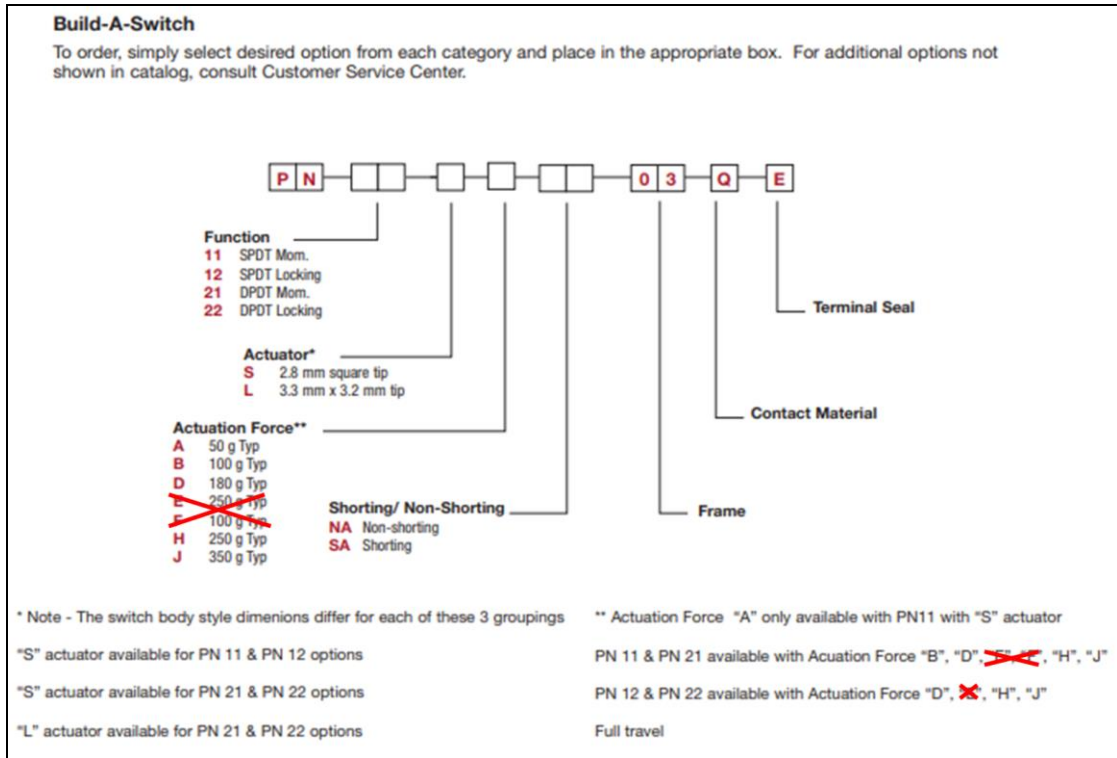
*2.3 Reason for discontinuation*

To remove duplicated actuation force option code E & F. Actuation force option E is to replace by option H and actuation force option F is to replace by option B. The product is the same for both the current and replacement part, this is to remove the extra coding to avoid the confusion.

**C&K**

Office 1007-8, 10/F, Harcourt House, 39 Gloucester Road, Wanchai, Hong Kong  
 Tel: +852 3713 5288      ckswitches.com

Document subject to change without prior notice



**3. Date of application**

- Last Time Buy: Not applicable
- Last Delivery: Not applicable
- Date of Discontinuation: 9 June 2022

**4. Acknowledgement**

We kindly ask you to acknowledge this information with your Sales Representative.

**5. Support**

For any question, please contact your C&K representative in your region

**C&K**

Office 1007-8, 10/F, Harcourt House, 39 Gloucester Road, Wanchai, Hong Kong  
 Tel: +852 3713 5288      ckswitches.com

Document subject to change without prior notice