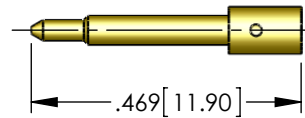
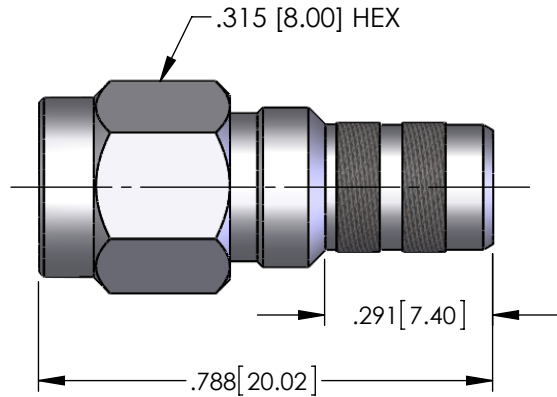
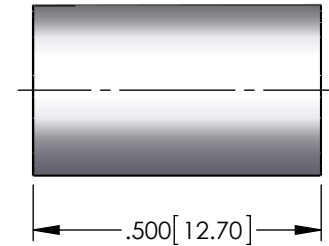


# RSA-3000-X

REV	DESCRIPTION	DATE	APPR
C	CHANGE PIN CONFIGURATION / UPDATED SPECS	09/29/03	JDM



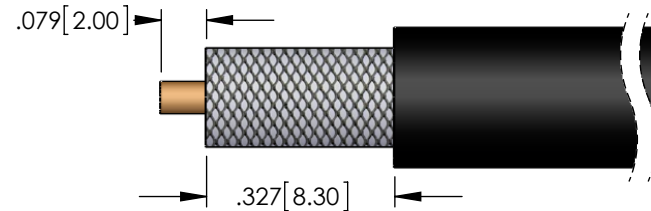
RECOMMENDED CRIMP DIE: .068"



RECOMMENDED CRIMP DIE: .255"

## SPECIFICATIONS:

IMPEDANCE: 50 Ohms  
 FREQUENCY RANGE: 0-12.4 GHz  
 VSWR: 1.3 MAX.  
 WORKING VOLTAGE: 500 V rms Max. @ Sea Level  
 INSULATION RESISTANCE: 5k M Ohms min.  
 TEMPERATURE RANGE: -65°C TO 85°C  
 FOR RG-8/X, BELDEN 9258, MAXRAD M8X-100 &  
 M8X-1000, MICRO 8/U, REMEE 1600, SAXTON 8315 &  
 TIMES LMR-240 & LMR-240 ULTRAFLEX CABLE



RECOMMENDED STRIPPING DIMENSIONS

7	066-RG8-000-BN	FERRULE X	1	<b>ROHS</b> COMPLIANT  UNLESS OTHERWISE SPECIFIED:  DIMENSIONS ARE IN INCHES  ALL DIMENSIOIS ARE FOR REFERENCE ONLY  CABLE GROUP X  CODE 1808	NAME	DATE	<b>RF INDUSTRIES</b> 7610 MIRAMAR RD. SAN DIEGO, CA. 92126 858-549-6340 FAX 858-549-6345		
6	022-30M-001-LX	SMA GASKET	1		DRAWN	C. ZUNIGA		08/27/13	
5	027-30M-000-CX	RETAINING RING	1		CHECKED				
4	012-30M-002-BN	SMA SHELL	1		ENG APPR.			TITLE:	
3	010-30X-015-TX	SMA INSULATOR	1		<b>PROPRIETARY AND CONFIDENTIAL</b>  THE INFORMATION CONTAINED IN THIS DRAWING IS THE SOLE PROPERTY OF RF INDUSTRIES. ANY REPRODUCTION IN PART OR AS A WHOLE WITHOUT THE WRITTEN PERMISSION OF RF INDUSTRIES IS STRICTLY PROHIBITED.			<b>SMA PLUG CRIMP</b>	
2	009-30M-024-BG	SMA PIN X	1						
1	001-30M-016-BN	SMA BODY	1					<b>A</b>	<b>RSA-3000-X</b>
<b>ITEM #</b>	<b>PART NUMBER</b>	<b>DESCRIPTION</b>	<b>QTY</b>				SCALE: NTS	NOTES:	SHEET 1 OF 1