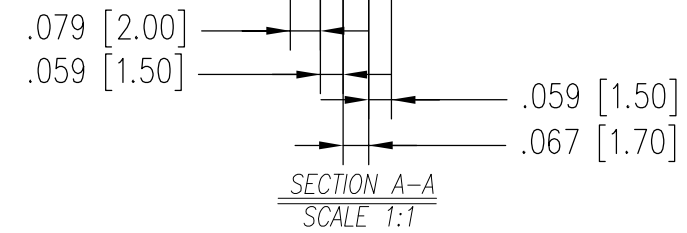
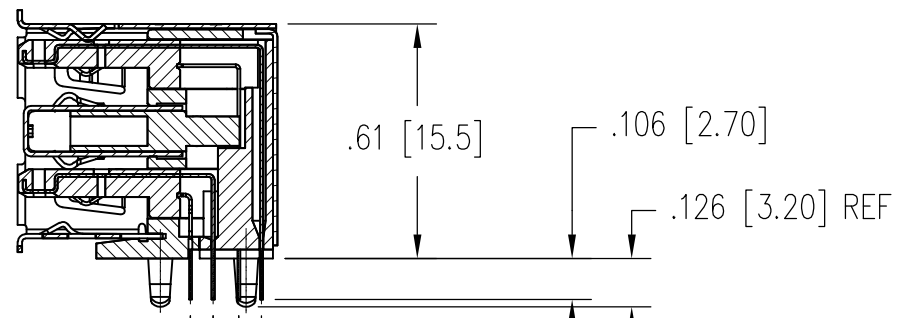
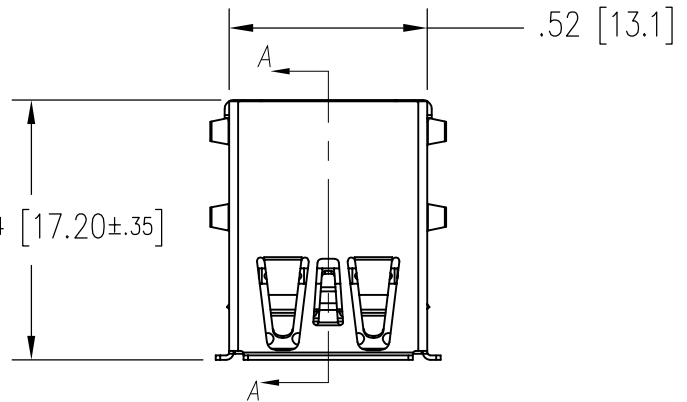
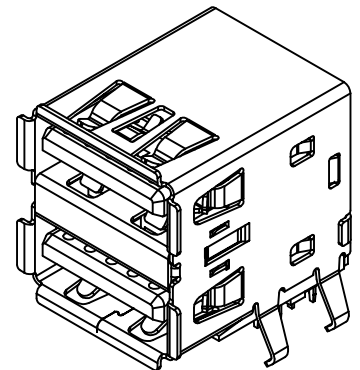
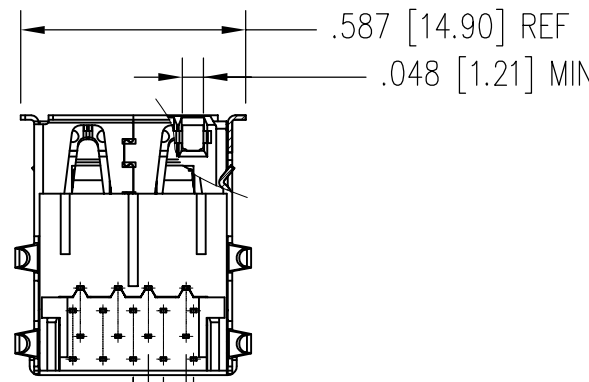
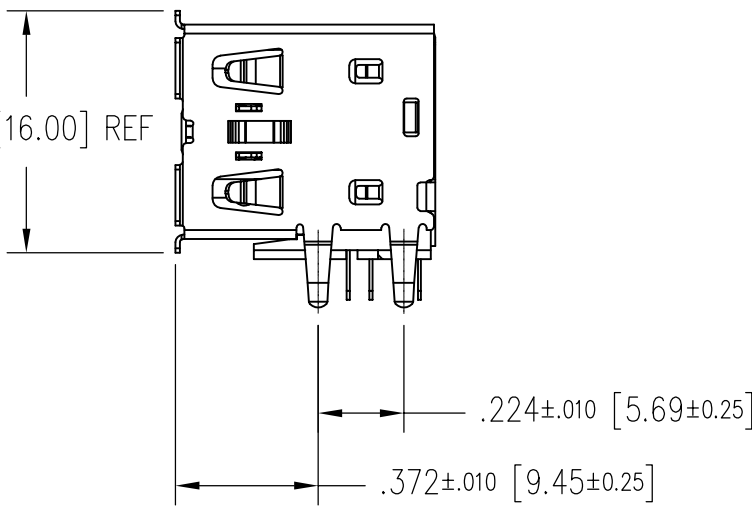
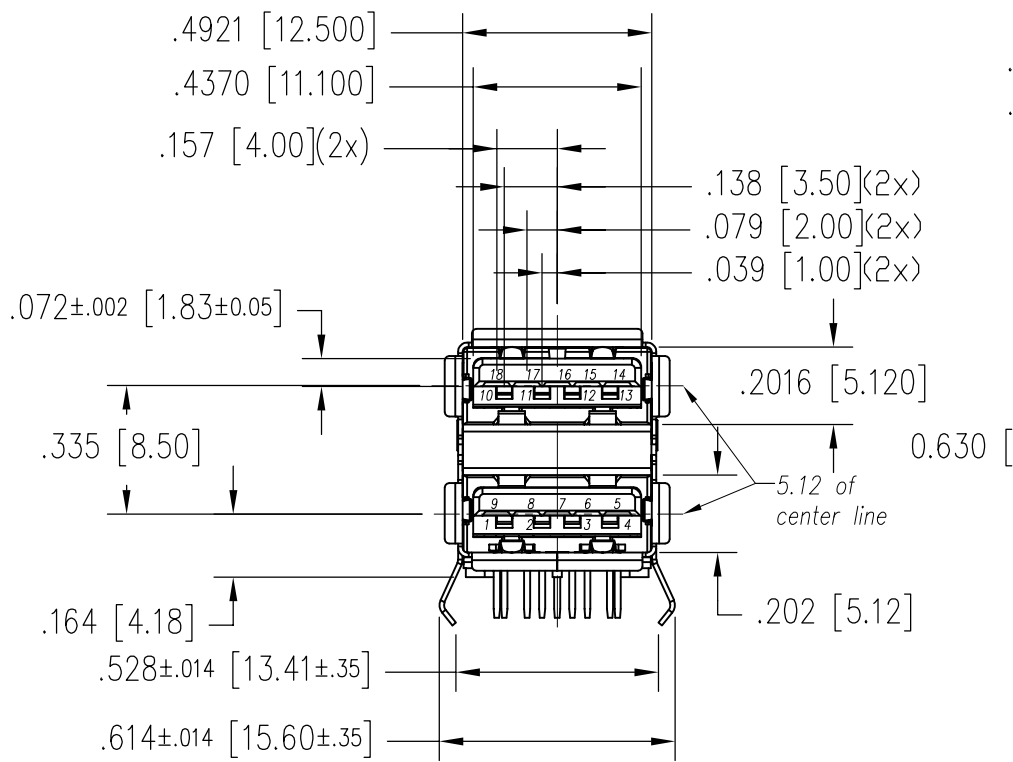


DATE	REV	ECN	APP'D. BY
8/29/2017	A0	-	DHG



- NOTE:
- Material
    - 1.1. Hsg: High Temperature Plastic; UL94V-0; Color: Blue.
    - 1.2. Contact:
      - 5 pin contact: Copper Alloy,
      - 4 pin contact: Copper Alloy,
    - 1.3. Shell: Copper Alloy
  - Finish:
    - 2.1: Contct: Nickel Plated; Au Plating On Contact Area  
See Chart for Part Number;  
TIN On Solder Tail.
    - 2.2: Shell: Nickel Plating.
  - For Product specifications See PR44-01



3D VIEW  
SCALE 2:1



30 MICRO-INCHES [0.76um]	SS-52000-003
CONTACT PLATING IN MATING AREA	PART NUMBER

THIRD ANGLE PROJECTION  
DRAWING IS SUBJECT TO CHANGE WITHOUT NOTICE  
UNLESS OTHERWISE SPECIFIED DIMENSIONS INCHES [METRIC] TOLERANCES ARE:  
ANGLES ± 1°  
.XX [.X] ±.010" [±0.25]  
.XXX [.XX] ±.008" [±0.20]  
.XXXX [.XXX] ±.004" [±0.10]  
DO NOT SCALE DRAWING  
SHEET NO. 1 OF 2

**stewart**  
CONNECTOR  
a bel group

11118 Susquehanna Trail South  
Glen Rock, PA 17327-9199  
(717) 235-7512  
<http://www.stewartconnector.com>

TITLE: USB 3.0 Stacked Right Angle Receptacle Type A

THIS DRAWING AND THE SUBJECT MATTER SHOWN THEREON ARE CONFIDENTIAL AND THE PROPRIETARY PROPERTY OF STEWART CONNECTOR AND SHALL NOT BE REPRODUCED, COPIED, OR USED IN ANY MANNER WITHOUT WRITTEN CONSENT OF STEWART CONNECTOR. ONE OR MORE U.S. PATENTS MAY APPLY TO THIS PRODUCT. FOR DETAILS, PLEASE VISIT: [HTTP://BELFUSE.COM/STEWART/STEWART\\_PATENTS/](http://BELFUSE.COM/STEWART/STEWART_PATENTS/)

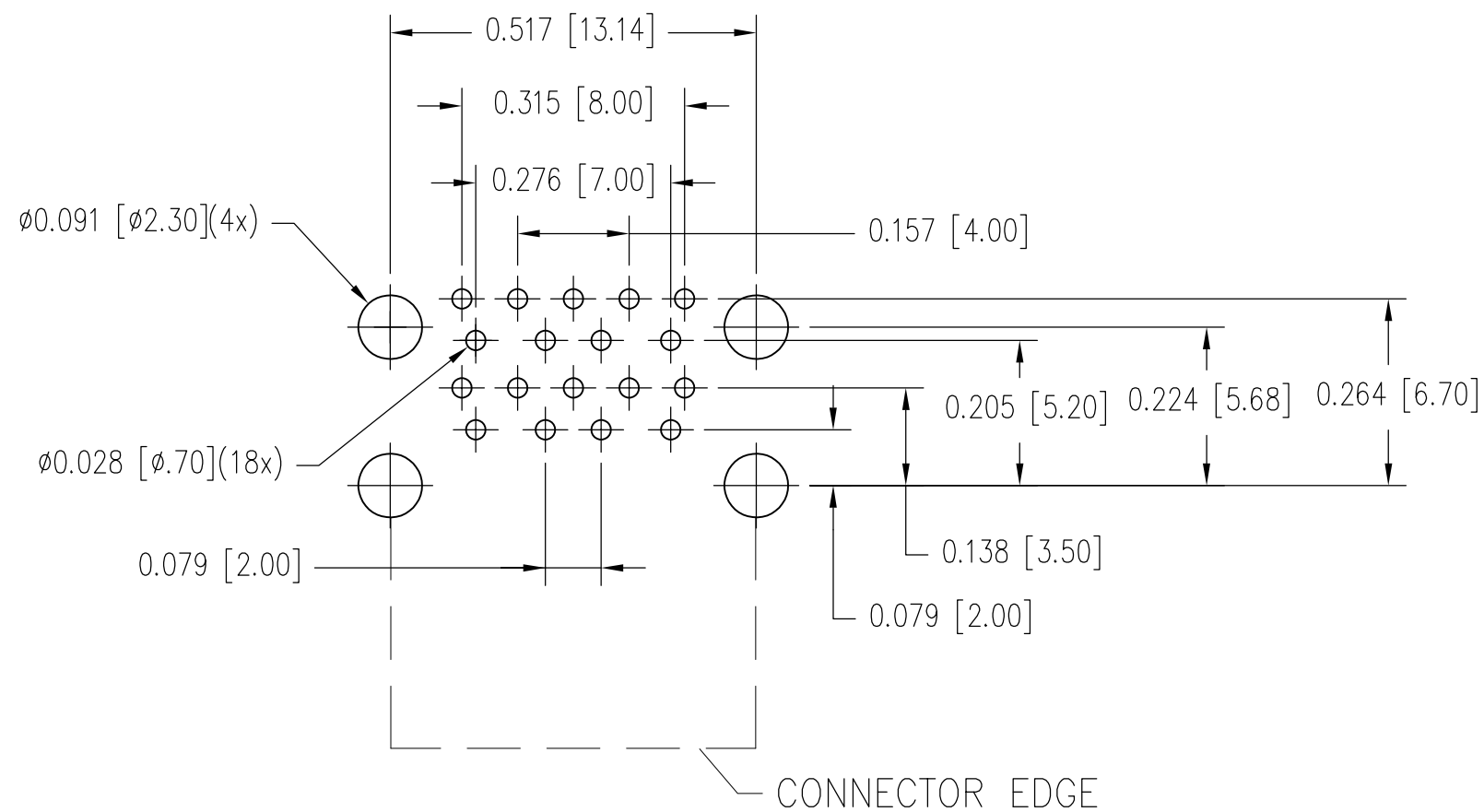
DRN BY: GWL	DATE 8/28/2017
APPD BY: DHG	DATE 8/29/2017
DWG NO. CT520003	REV. A0

B

B

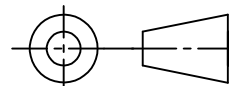
A

A



P.C.B LAYOUT (COMPONENT SIDE)  
 DEFAULT TOLERANCE:  $\pm 0.002$  [ $\pm 0.05$ ]

THIRD ANGLE PROJECTION

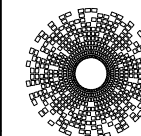


DRAWING IS SUBJECT TO CHANGE WITHOUT NOTICE

UNLESS OTHERWISE SPECIFIED DIMENSIONS INCHES [METRIC] TOLERANCES ARE:  
 ANGLES  $\pm 1^\circ$   
 .XX [.X]  $\pm 0.010''$  [ $\pm 0.25$ ]  
 .XXX [.XX]  $\pm 0.008''$  [ $\pm 0.20$ ]  
 .XXXX [.XXX]  $\pm 0.004''$  [ $\pm 0.10$ ]  
 DO NOT SCALE DRAWING

SHEET NO. 2 OF 2

**RoHS**



**stewart**  
 CONNECTOR  
 a bel group

11118 Susquehanna Trail South  
 Glen Rock, PA 17327-9199  
 (717) 235-7512

<http://www.stewartconnector.com>

TITLE: USB 3.0 Stacked Right Angle Receptacle Type A

THIS DRAWING AND THE SUBJECT MATTER SHOWN THEREON ARE CONFIDENTIAL AND THE PROPRIETARY PROPERTY OF STEWART CONNECTOR AND SHALL NOT BE REPRODUCED, COPIED, OR USED IN ANY MANNER WITHOUT PRIOR WRITTEN CONSENT OF STEWART CONNECTOR. ONE OR MORE U.S. PATENTS MAY APPLY TO THIS PRODUCT. FOR DETAILS, PLEASE VISIT: [HTTP://BELFUSE.COM/STEWART/STEWART\\_PATENTS/](http://BELFUSE.COM/STEWART/STEWART_PATENTS/)

DRN BY:	GWL	DATE	8/28/2017
APPD BY:	DHG	DATE	8/29/2017
DWG NO.	CT520003	REV.	A0