

6

5

4

3

2

1

APPROVED: \_\_\_\_\_

DATE: \_\_\_\_\_ TITLE: \_\_\_\_\_

Rev	AWO #	Description	Date	Appr
-		RELEASED	8/10/21	

D

D

C

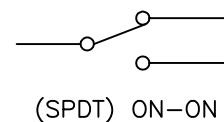
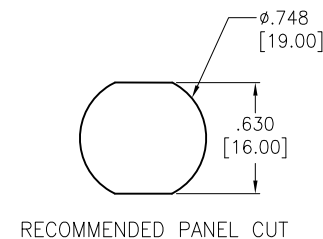
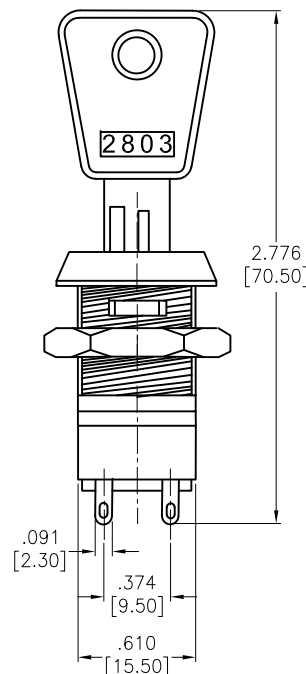
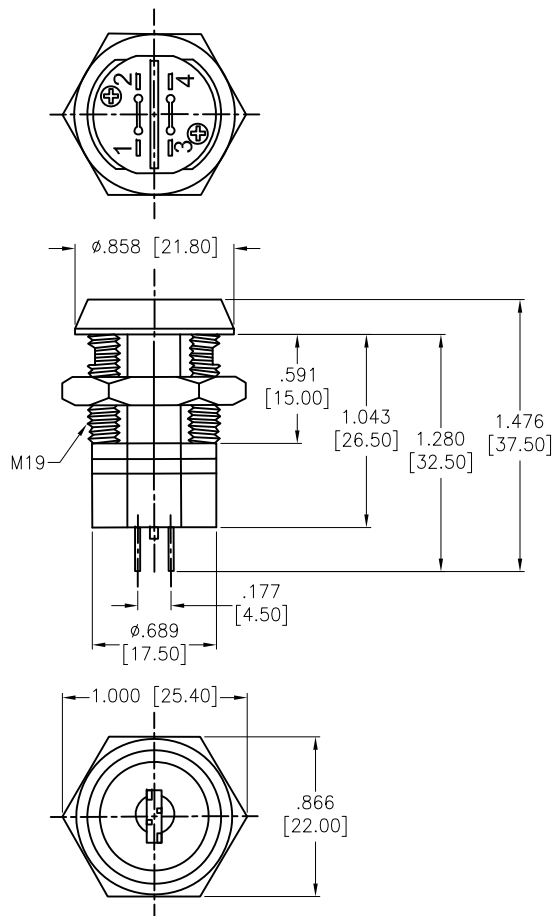
C

B

B

A

A



SW-R-K11B-X

	Function
A	Key pulled on both positions. Note: this would be our standard
B	Key pulled on 1 position

SPECIFICATIONS:

Material:  
 Body: Steel, Polished Chrome  
 Electrical:  
 The rated load: 125 VAC, 4A  
 250 VAC, 2A  
 28 VDC, 4A

Contact resistance: 20 mΩ max  
 Insulation resistance: 100 MΩ min (500VDC)  
 Dielectric withstanding voltage: 1000 VAC for 1 minute  
 Mechanical life: ≥10000 Cycles  
 Temperature Rating:  
 -20°C to +85°C  
 Environmental:  
 Lead free, RoHS compliant



UNLESS OTHERWISE SPECIFIED ALL DIMENSIONS ARE INCHES [MM]. TOLERANCES: EXCEPT AS NOTED

INCHES		HOLES	
.x	± .10	∅x	± .10
.xx	± .020	∅xx	± .015
.xxx	± .015	∅xxx	± .010

**ADAM TECH** 909 Rahway Avenue,  
 Union, NJ 07083  
 Phone: 908-687-5000  
 Fax: 908-687-5710

DRAWN	WX	8/10/21
CHECKED	RC	8/10/21
APPROVED		

TITLE: SWITCH, KEY LOCK, 19MM, 4P, SPDT, ON-ON  
 PANEL MOUNT, SOLDER TERMINAL

THIS DRAWING CONTAINS INFORMATION THAT IS PROPRIETARY AND SHOULD NOT BE USED WITHOUT PRIOR WRITTEN PERMISSION FROM ADAM TECH

SIZE X	PART NO. SW-R-K11B-X	REV. -
REF: S00204C	SCALE: NTS	SHEET 1 OF 1

6

5

4

3

2

1