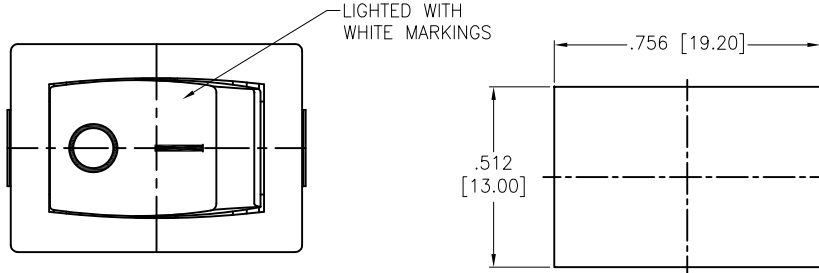
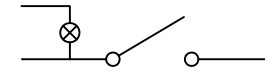


APPROVED: _____
 DATE: _____ TITLE: _____

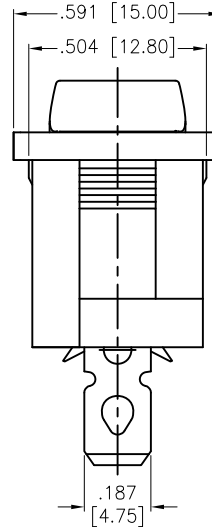
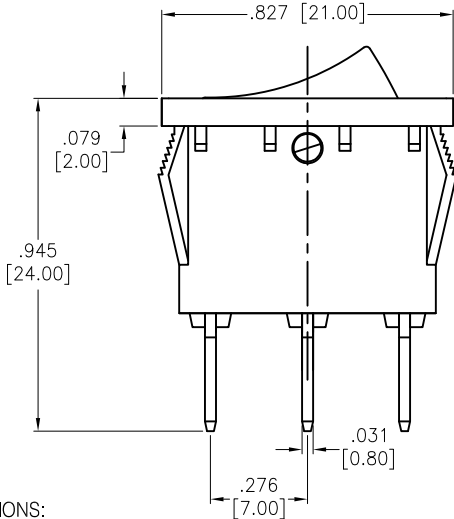
Rev	AWO #	Description	Date	Appr
-		RELEASED	10/16/20	
A		UPDATE SPEC.	8/31/21	WX/RC



RECOMMENDED
 PANEL CUT-OUT



CIRCUIT DIAGRAM
 (SPST) (ON-OFF)



SW-R2-1A-F-LXX-2

Lighted Actuator		Actuator Markings	
W	Lighted White	1	
R	Lighted Red	2	
G	Lighted Green	3	
Y	Lighted Yellow (Amber)	4	
B	Lighted Blue	5	
O	Lighted Orange	6	

Replace "x" in P/N with the corresponding switch color and marking

SPECIFICATIONS:

Material:

Body: Nylon 66, Color Black, Rated UL 94V-0

Terminal: Brass, Silver plated

Button: Nylon 66, Lighted color (See Chart). White color markings

Electrical:

The rated load: 250V AC, 6A

125V AC, 10A

Contact resistance: 50 mohms max

Insulation resistance: 100 Mohms min

Dielectric withstanding voltage: 1500 VAC/5S min

Mechanical:

Electrical life: 10000 Cycles min

Temperature Rating:

Operating temperature: -25°C to +85°C

Environmental:

Lead free, RoHS compliant



UNLESS OTHERWISE SPECIFIED
 ALL DIMENSIONS ARE INCHES [MM]
 TOLERANCES: EXCEPT AS NOTED
 INCHES HOLES
 .X ± .10 Ø.X ± .10
 .XX ± .020 Ø.XX ± .015
 .XXX ± .015 Ø.XXX ± .010

APPROVALS		DATE
DRAWN	OW	10/16/20
CHECKED	AC	10/16/20
APPROVED		

**ADAM
 TECH**

909 Rahway Avenue,
 Union, NJ 07083
 Phone: 908-687-5000
 Fax: 908-687-5710

TITLE SWITCH, MINIATURE ROCKER, SPST,
 ON-OFF, .187 [4.75MM], LIGHTED

SIZE	PART NO.	REV.
X	SW-R2-1A-F-LXX-2	A
REF:	-	SCALE: NTS SHEET 1 OF 1