

LEGEND:

5569 - N A * * - * - *

BASE NUMBER

CIRCUIT SIZE

ASSEMBLY

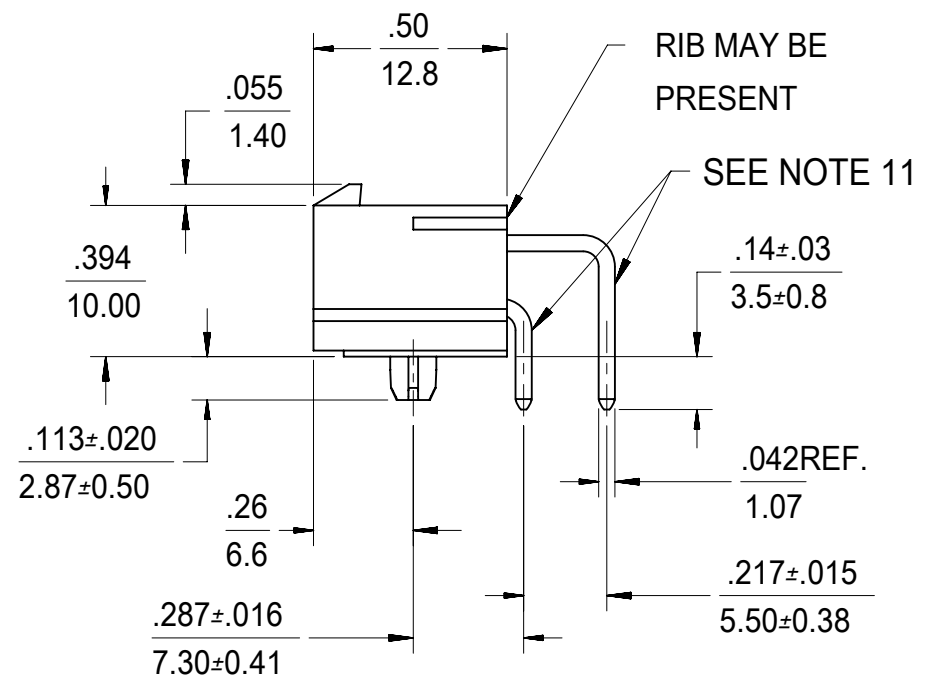
MOUNTING OPTION (SEE NOTE 6.)

PLATING (SEE NOTE 2.)

HOUSING MAT'L. (SEE NOTE 1.)

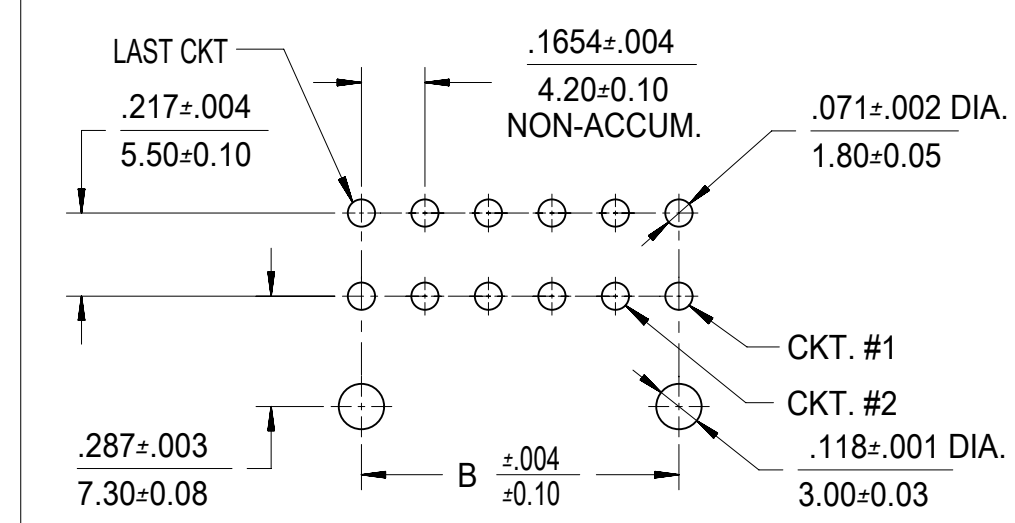
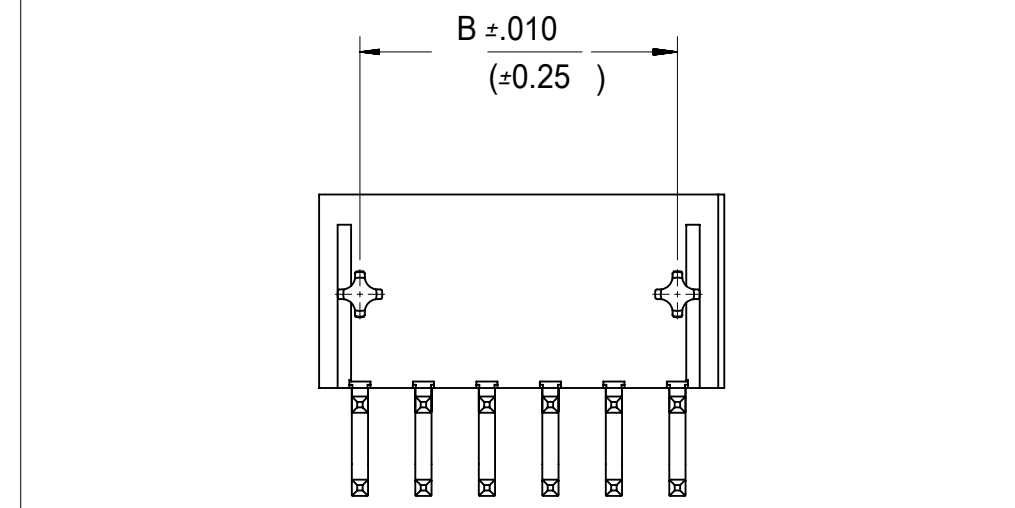
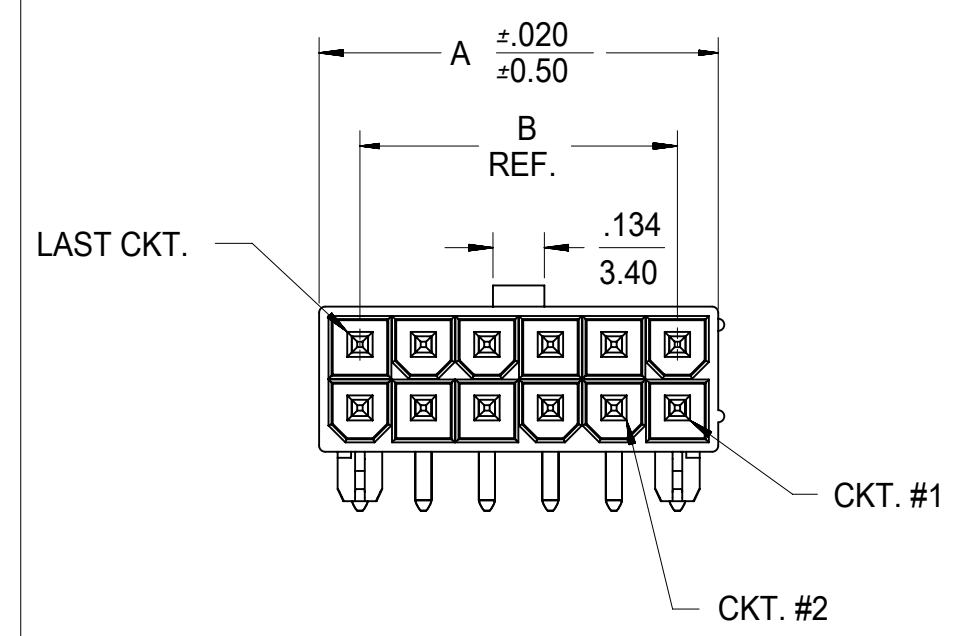
PACKAGING (SEE NOTE 4.)

CIRCUIT SIZE	DIM. "A"	DIM. "B"
6	.54 (13.8)	.33 (8.4)
8	.71 (18.0)	.50 (12.6)
10	.87 (22.2)	.66 (16.8)
12	1.04 (26.4)	.83 (21.0)
14	1.20 (30.6)	.99 (25.2)
16	1.37 (34.8)	1.16 (29.4)
18	1.54 (39.0)	1.32 (33.6)
20	1.70 (43.2)	1.49 (37.8)
22	1.87 (47.4)	1.65 (42.0)
24	2.03 (51.6)	1.82 (46.2)

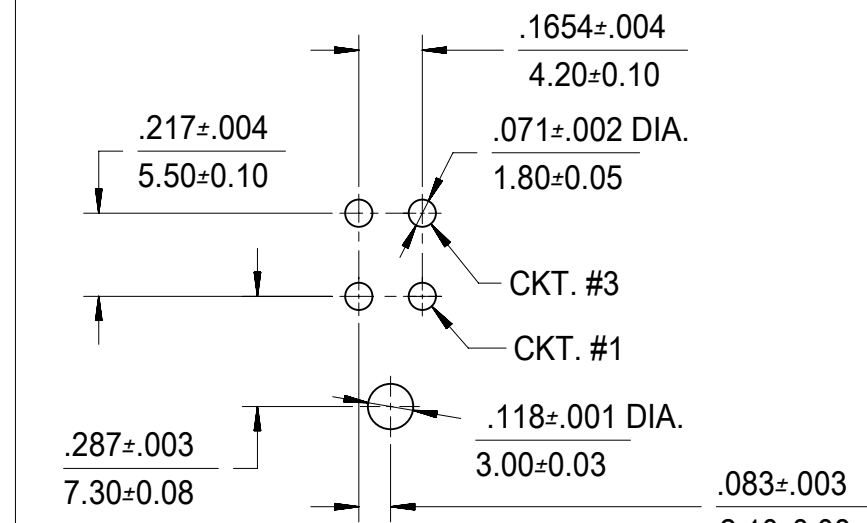
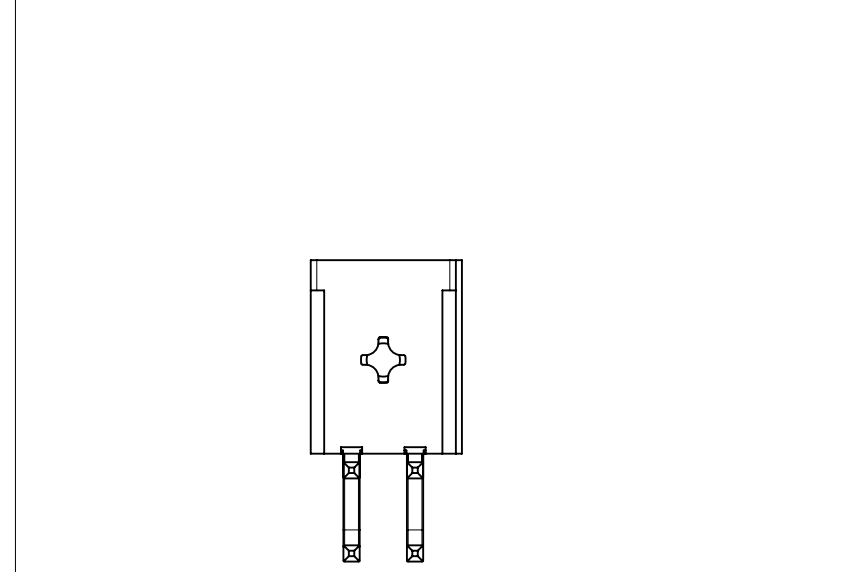
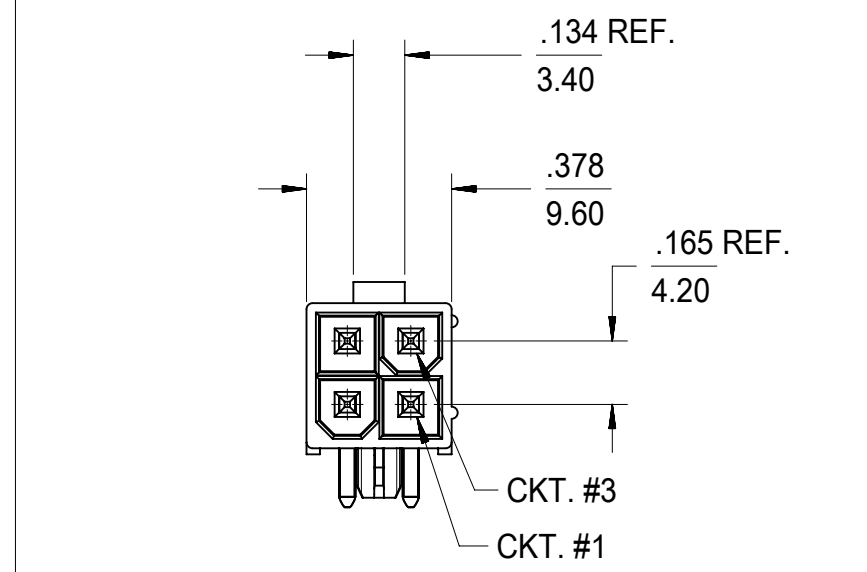


THIS VIEW APPLIES TO ALL CIRCUIT SIZES

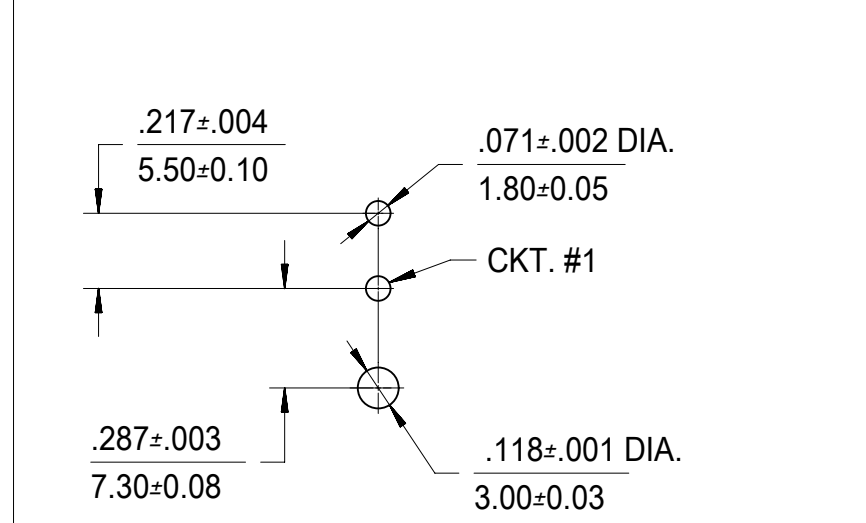
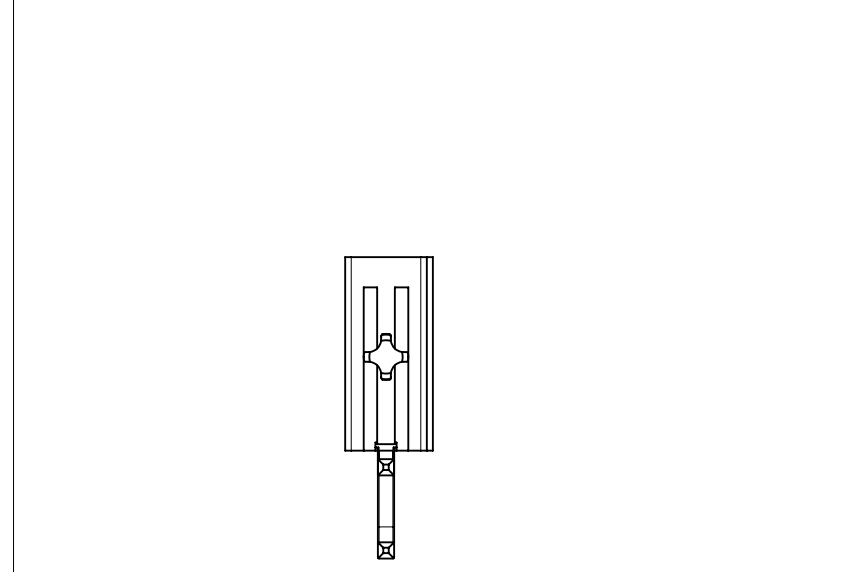
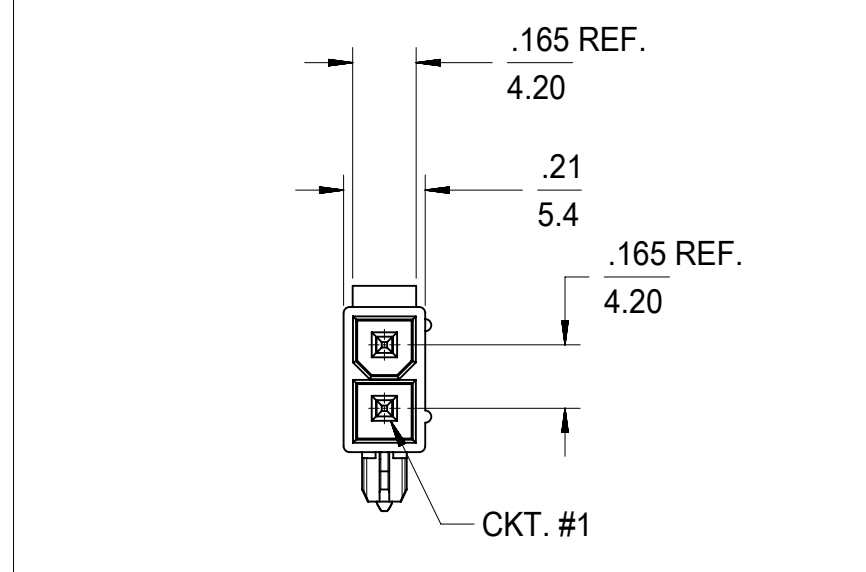
- NOTES:**
- MATERIAL:**
HOUSING:
"130" = GLASS FILLED LCP, UL94V-0, IEC 60335-1 5TH EDITION GLOW WIRE CAPABLE
COLOR - BLACK
TERMINAL:
BRASS ALLOY
 - FINISH (PLATING):**
"MS" = .000100/(0.00254) MIN. MATTE TIN OVER .000050/(0.00127) MIN. NICKEL
"GS" = .000030/(0.00076) MIN. SELECT GOLD OVER .000100/(0.00254) MIN. SELECT MATTE TIN OVER .000050/(0.00127) MIN. NICKEL OVERALL
 - PRODUCT SPECIFICATION:** SEE CHARTS
 - PACKAGING:**
"T" = TRAY PACKED PER PK-5569-003
 - PART MATES WITH MINI-FIT JR. RECEPTACLE SERIES 5557 AND 46992.**
 - MOUNTING OPTIONS:**
7 = PRESS FIT PEG
 - DISCOLORATION IN THE BANDOLIER CARRIER AREA OF THE PIN IS INHERENT TO THE PLATING PROCESS AND IS DUE TO THE MASKING EFFECT OF THE CARRIER. THIS DISCOLORATION IS IN A NON-FUNCTIONAL AREA OF THE PIN AND WILL NOT AFFECT THE PERFORMANCE OF THE HEADER ASSEMBLY.**
 - PART CONFORMS TO CLASS "B" REQUIREMENTS OF COSMETIC SPECIFICATION PS-45499-002.**
 - CONNECTORS ARE NOT TO BE MATED AND UNMATED WHILE CIRCUITS ARE LIVE.**
 - PARTS ARE NOT DESIGNED FOR CURRENT SHARING.**
 - FORMING MARKS ON PINS ARE ACCEPTABLE.**
 - CORNER CORE-OUTS ARE OPTIONAL AND MAY OR MAY NOT BE PRESENT.**
 - TEXT ON PART IS FOR REFERENCE ONLY. TEXT AND TEXT LOCATION MAY VARY DEPENDING ON PART NUMBER AND/OR TOOL.**



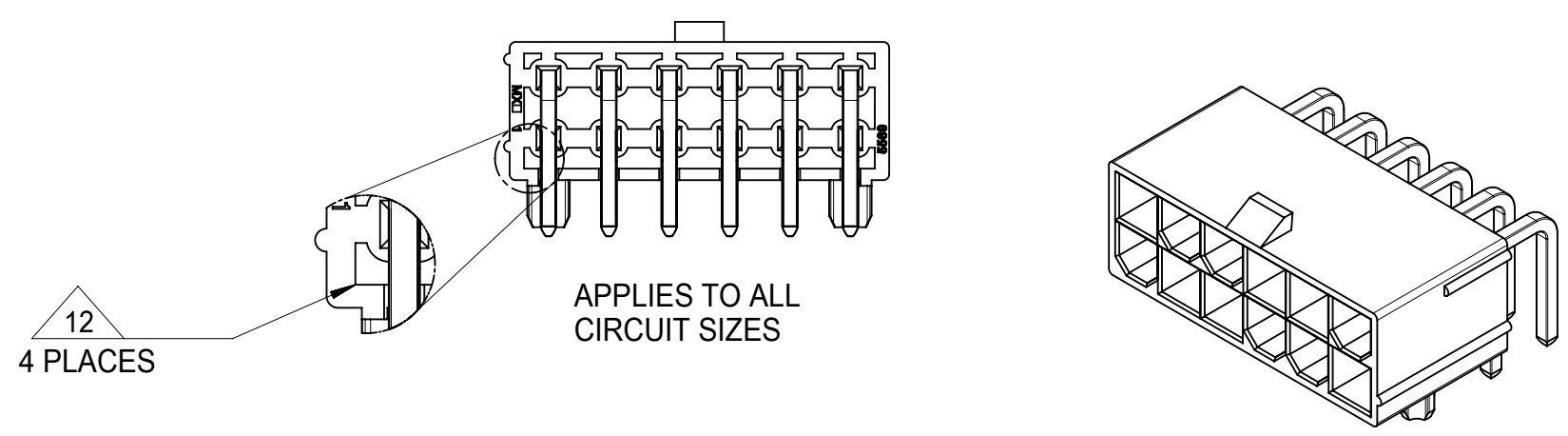
RECOMMENDED HOLE LAYOUT FOR .070/(1.78) MAX. THICK P.C. BOARD VIEWED FROM COMPONENT SIDE FOR 6 THRU 24 CIRCUITS



RECOMMENDED HOLE LAYOUT FOR .070/(1.78) MAX. THICK P.C. BOARD VIEWED FROM COMPONENT SIDE FOR 4CKT PARTS



RECOMMENDED HOLE LAYOUT FOR .070/(1.78) MAX. THICK P.C. BOARD VIEWED FROM COMPONENT SIDE FOR 2CKT PARTS



SYMBOLS		THIS DRAWING CONTAINS INFORMATION THAT IS PROPRIETARY TO MOLEX ELECTRONIC TECHNOLOGIES, LLC AND SHOULD NOT BE USED WITHOUT WRITTEN PERMISSION		CURRENT REV DESC: CORRECT CHART	
∇ = 0	IN/MM	SCALE	2:1		
∇ = 0	GENERAL TOLERANCES (UNLESS SPECIFIED)		EC NO: 170964		
∇ = 0	MM	INCH	DRWN: AZAHIROVIC	2018/01/25	2018/01/25
∇ = 0	4 PLACES ±	±	CHK'D: JBELL	2018/01/25	
∇ = 0	3 PLACES ±	± 0.015	APPR: FSMITH	2018/01/25	2018/01/25
∇ = 0	2 PLACES ±	± 0.38 ±	INITIAL REVISION:		
∇ = 0	1 PLACE ±	± 0.38 ±	DRWN: JJAGUILAR	2009/07/27	2009/07/31
∇ = 0	0 PLACES ±	±	APPR: FSMITH	2009/07/31	
∇ = 0	ANGULAR TOL	± 0.5 °	THIRD ANGLE PROJECTION		
∇ = 0	DRAFT WHERE APPLICABLE MUST REMAIN WITHIN DIMENSIONS		DRAWING	SERIES	MATERIAL NUMBER
∇ = 0			C-SIZE	5569	SEE CHART

molex

MINI-FIT RTC RIGHT ANGLE HEADER ASSEMBLIES WITH MTG. PEGS (LCP)

PRODUCT CUSTOMER DRAWING

DOCUMENT NUMBER: 55690007-SD

DOC TYPE: PSD

DOC PART: 000

REVISION: A

CUSTOMER: GENERAL MARKET

SHEET NUMBER: 1 OF 2

TOOLED	PART NO.	ENG. NO.	CKT. SIZE	MOUNTING OPTION	PLATING (SEE NOTE 2)	HOUSING MATERIAL (SEE NOTE 1)	PACKAGING	PRODUCT SPECIFICATION
YES	50-36-2457	5569-02A7MS-130-T	2	PRESS FIT PEGS	MATTE TIN/NICKEL	94V-0	TRAY PACKAGED PER PK-5569-003	PS-5556-004
	50-36-2459	5569-04A7MS-130-T	4	PRESS FIT PEGS	MATTE TIN/NICKEL	94V-0		
	50-36-2462	5569-06A7MS-130-T	6	PRESS FIT PEGS	MATTE TIN/NICKEL	94V-0		
	50-36-2464	5569-08A7MS-130-T	8	PRESS FIT PEGS	MATTE TIN/NICKEL	94V-0		
	50-36-2466	5569-10A7MS-130-T	10	PRESS FIT PEGS	MATTE TIN/NICKEL	94V-0		
	50-36-2296	5569-12A7MS-130-T	12	PRESS FIT PEGS	MATTE TIN/NICKEL	94V-0		
	50-36-2428	5569-14A7MS-130-T	14	PRESS FIT PEGS	MATTE TIN/NICKEL	94V-0		
	50-36-2426	5569-16A7MS-130-T	16	PRESS FIT PEGS	MATTE TIN/NICKEL	94V-0		
NO	50-36-2468	5569-18A7MS-130-T	18	PRESS FIT PEGS	MATTE TIN/NICKEL	94V-0		
	50-36-2471	5569-20A7MS-130-T	20	PRESS FIT PEGS	MATTE TIN/NICKEL	94V-0		
	50-36-2473	5569-22A7MS-130-T	22	PRESS FIT PEGS	MATTE TIN/NICKEL	94V-0		
	50-36-2475	5569-24A7MS-130-T	24	PRESS FIT PEGS	MATTE TIN/NICKEL	94V-0		
	46999-0720	5569-02A7GS-130-T	2	PRESS FIT PEGS	SELECT GOLD/NICKEL	94V-0		
	46999-0721	5569-04A7GS-130-T	4	PRESS FIT PEGS	SELECT GOLD/NICKEL	94V-0		
	46999-0722	5569-06A7GS-130-T	6	PRESS FIT PEGS	SELECT GOLD/NICKEL	94V-0		
	46999-0723	5569-08A7GS-130-T	8	PRESS FIT PEGS	SELECT GOLD/NICKEL	94V-0		
46999-0724	5569-10A7GS-130-T	10	PRESS FIT PEGS	SELECT GOLD/NICKEL	94V-0			
46999-0725	5569-12A7GS-130-T	12	PRESS FIT PEGS	SELECT GOLD/NICKEL	94V-0			
46999-0726	5569-14A7GS-130-T	14	PRESS FIT PEGS	SELECT GOLD/NICKEL	94V-0			
46999-0727	5569-16A7GS-130-T	16	PRESS FIT PEGS	SELECT GOLD/NICKEL	94V-0			
46999-0728	5569-18A7GS-130-T	18	PRESS FIT PEGS	SELECT GOLD/NICKEL	94V-0			
46999-0729	5569-20A7GS-130-T	20	PRESS FIT PEGS	SELECT GOLD/NICKEL	94V-0			
46999-0730	5569-22A7GS-130-T	22	PRESS FIT PEGS	SELECT GOLD/NICKEL	94V-0			
46999-0731	5569-24A7GS-130-T	24	PRESS FIT PEGS	SELECT GOLD/NICKEL	94V-0			

SYMBOLS = 0 = 0 = 0 = 0 = 0 = 0 = 0 = 0	THIS DRAWING CONTAINS INFORMATION THAT IS PROPRIETARY TO MOLEX ELECTRONIC TECHNOLOGIES, LLC AND SHOULD NOT BE USED WITHOUT WRITTEN PERMISSION			
	DIMENSION UNITS		SCALE	
	IN/MM		1:1	
	CURRENT REV DESC: CORRECT CHART			
	GENERAL TOLERANCES (UNLESS SPECIFIED)			
	4 PLACES ±		±	
	3 PLACES ±		± 0.015	
	2 PLACES ±		± 0.38 ±	
	1 PLACE ±		± 0.38 ±	
	0 PLACES ±		±	
ANGULAR TOL ± 0.5 °		THIRD ANGLE PROJECTION		
DRAFT WHERE APPLICABLE MUST REMAIN WITHIN DIMENSIONS		DRAWING SERIES		
		C-SIZE 5569		

EC NO: 170964			
DRWN: AZAHIROVIC	2018/01/25	 MINI-FIT RTC RIGHT ANGLE HEADER ASSEMBLIES WITH MTG. PEGS (LCP)	
CHK'D: JBELL	2018/01/25		
APPR: FSMITH	2018/01/25		
INITIAL REVISION:			
DRWN: JJAGUILAR	2009/07/27	PRODUCT CUSTOMER DRAWING DOCUMENT NUMBER: 55690007-SD DOC TYPE: PSD DOC PART: 000 REVISION: A	
APPR: FSMITH	2009/07/31		
MATERIAL NUMBER		CUSTOMER	
SEE CHART		GENERAL MARKET	
SHEET NUMBER		2 OF 2	