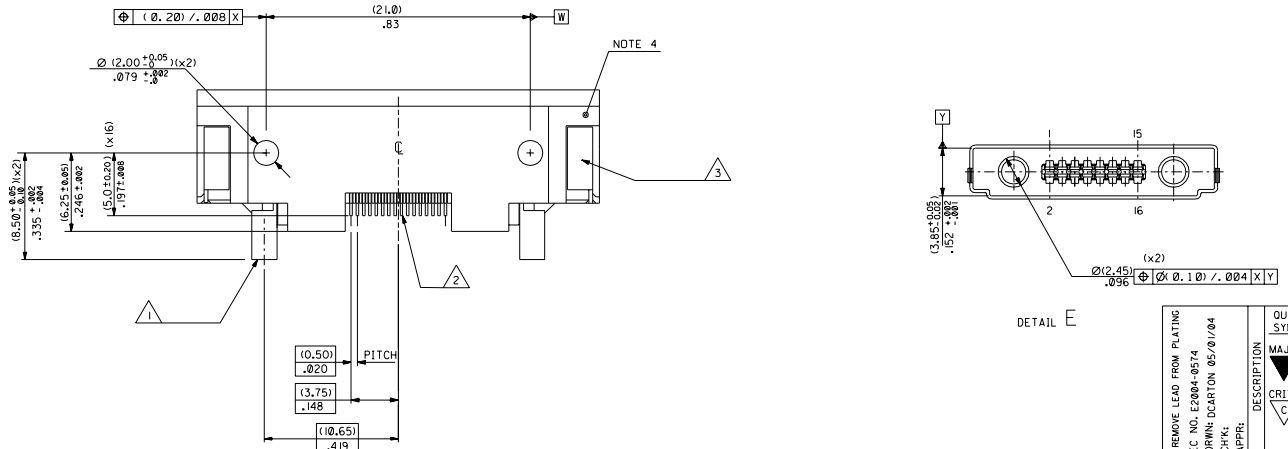
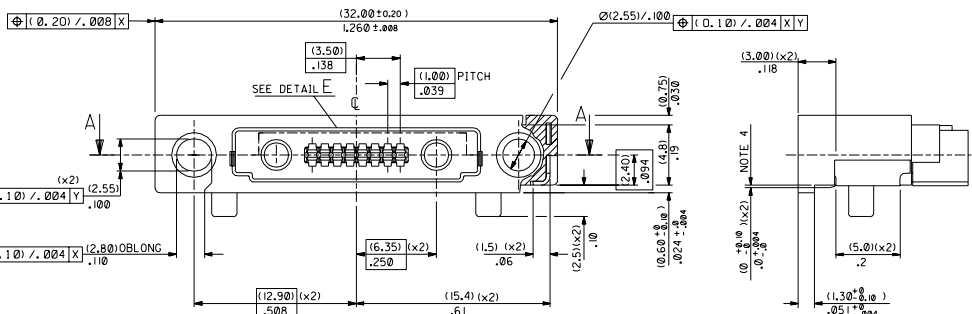
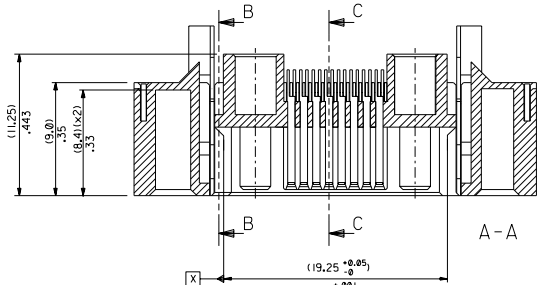
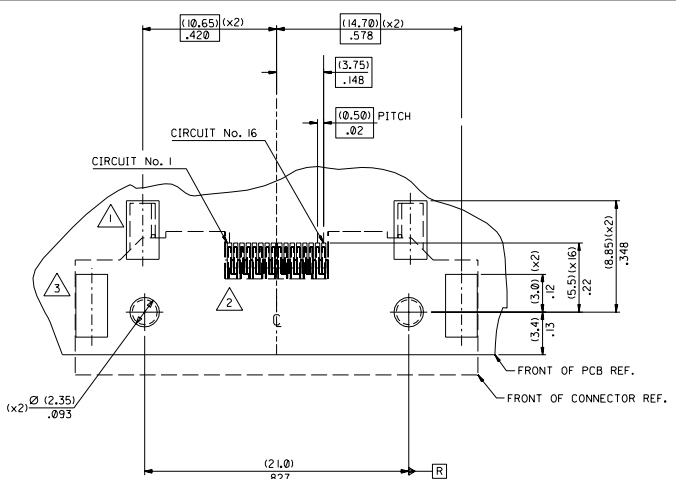
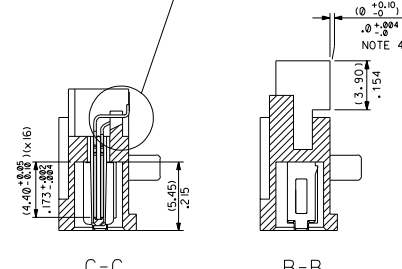
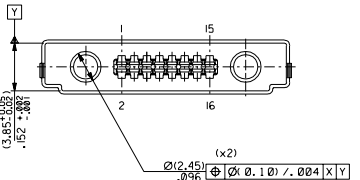


TERMINAL COPLANARITY
SCALE 10 : 1



COMPONENT	PCB PAD DIMENSION	QTY
LOCKING LATCHES $\triangle 1$	(2.60) / .102 x (4.65) / .183	ϕ (0.10) / .004 R (x2)
SIGNAL CONTACTS $\triangle 2$	(0.35 \pm 0.05) / .014 \pm 0.002 x (2.0) / .08	ϕ (0.10) / .004 R (x16)
SMT RETENTION PADS $\triangle 3$	(2.5) / .098 x (5.0) / .197	ϕ (0.10) / .004 R (x2)

- NOTES:
- MATERIALS:
HOUSING: NYLON 46 50% GLASS FILLED, COLOUR - BLACK
SMT RETENTION PADS : PHOSPHOR BRONZE (0.30) / .012 REF. THICK.
PLATING: (3-5um) / .18- .19uin TIN.
OVER (1.27um) / .050uin NICKEL.
LOCKING LATCHES : PHOSPHOR BRONZE (0.30) / .012 REF. THICK.
PLATING: (3-5um) / .18- .19uin TIN.
OVER (1.27um) / .050uin NICKEL.
SIGNAL CONTACTS: PHOSPHOR BRONZE (0.20) / .008 REF. THICK.
PLATING: (1.27um) / .050uin MIN. NICKEL UNDERCOAT OVERALL.
GOLD FLASH (0.1um) / .004uin MIN.
OVER PALLADIUM NICKEL (1.0um) / .039uin MIN. IN CONTACT AREA. (3.0um) / .118uin MIN. TIN ON TAIL SECTION.
 - MATES WITH 90813 SERIES PLUG CONNECTOR.
90812 SERIES CRADLE CONNECTOR.
 - SEE PRODUCT SPECIFICATION PS 99020-0045.
 - ALL SMT TAILS TO LIE WITHIN A COPLANARITY BAND OF (0.0) / .0 - (0.1) / .004 REF. FROM EACH OTHER AND BELOW HOUSING BASE.
 - COMPONENTS PACKAGED IN TRAYS P/NO. 99025-0018
52 COMPONENTS PER TRAY.
14 FULL TRAYS PER BOX.
728 COMPONENTS PER BOX.



REMOVE LEAD FROM PLATING EC. NO. E2004-0574 DRAWN: DEJTON 05/01/04 CHK: CHIK, CHPR, APPR:	QUALITY SYMBOLS MAJOR ∇ = CRITICAL ∇ =	GENERAL TOLERANCES: (UNLESS SPECIFIED):	SCALE 5:1	DESIGN UNITS \square mm \square INCH	THIRD ANGLE PROJECTION	DIMENSIONS: \square mm \square INCH \square mm ONLY	SHT	REV
		4 PLACES $\pm 0.$ \pm 3 PLACES $\pm 0.$ $\pm .002$ 2 PLACES $\pm 0.$ $\pm .004$ 1 PLACE $\pm 0.$ $\pm .01$ \pm ANGULAR: $\pm 1/2^\circ$	DRAWN BY & DATE DAB 95/10/17	CHECKED BY & DATE	APPROVED BY & DATE	CAD FILENAME	MATERIAL NO. 90811-2121	DRAWING NO. SDA-90811-2121
REV: B		DESCRIPTION		TITLE: I/O CONNECTOR FOR MOBILE PHONE CRADLE		MOLEX INCORPORATED		
DRAFT WHERE APPLICABLE MUST REMAIN WITHIN DIMENSIONS		THIS DRAWING CONTAINS INFORMATION THAT IS PROPRIETARY TO MOLEX INCORPORATED AND SHOULD NOT BE USED WITHOUT WRITTEN PERMISSION.		SIZE D				