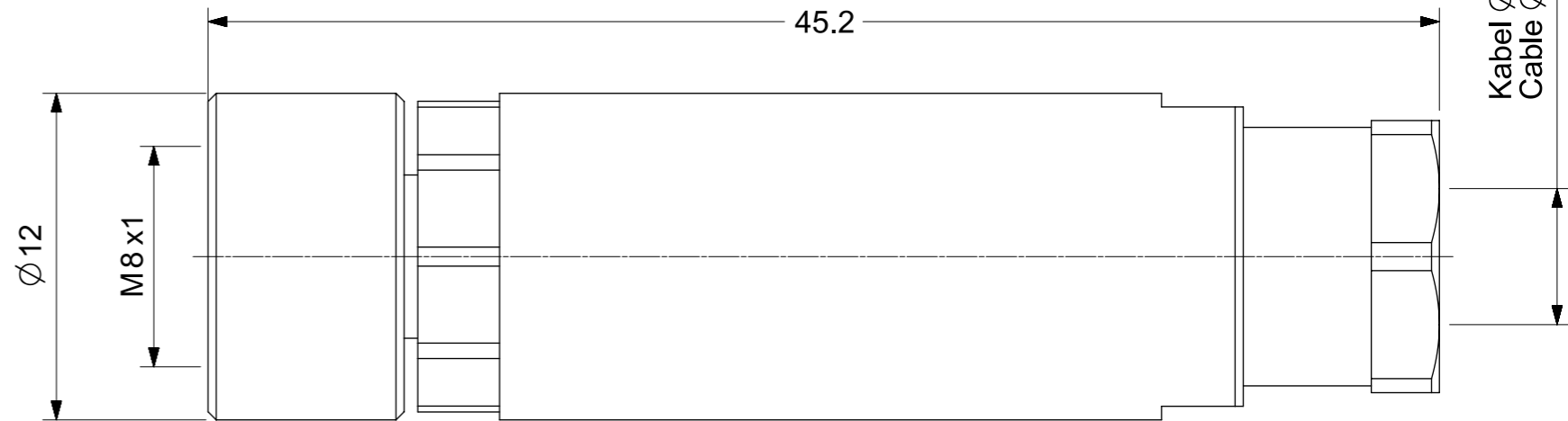
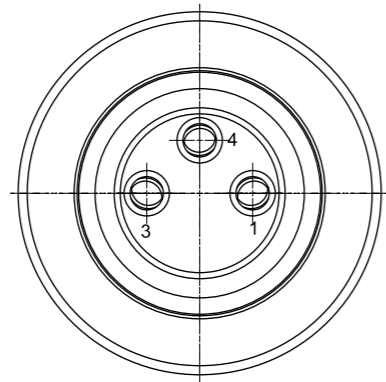
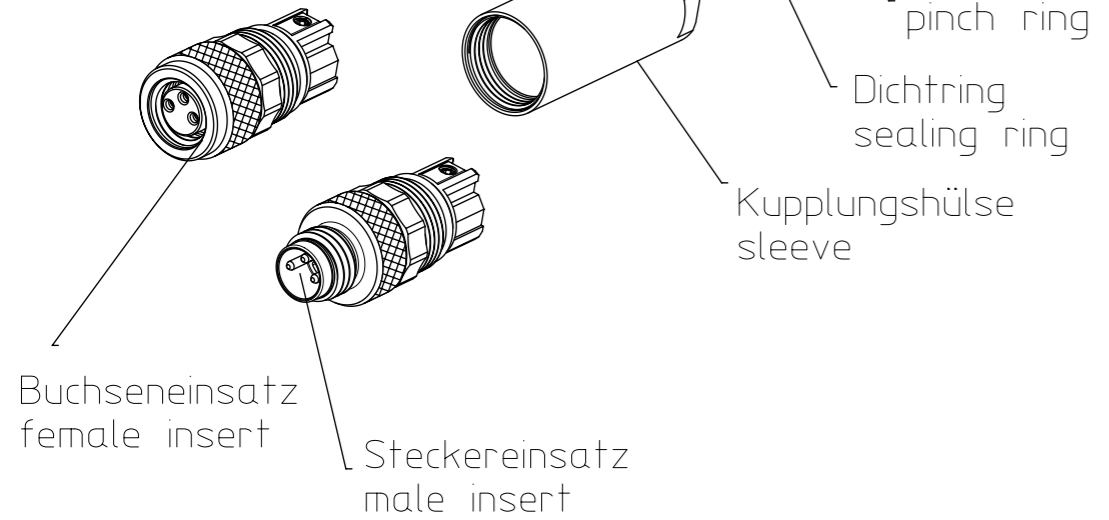


"Explosionszeichnung als Referenz,
Polzahl siehe description"
"Exploded drawing for reference,
pole count see description"

Druckschraube
pressing screw

A2



Kabel Ø3.5 - 5
Cable Ø3.5 - 5

CHANGES SEE REVISION MARKING A1	NOTES
CHANGES SEE REVISION MARKING A2	NOTES

NOTES:

1. LOCKING SYSTEM: SCREW
WIRE GAUGE: 0.14 - 0.50mm²
CABLE OUTLET: 3.5 - 5mm
2. ELECTRICAL DATA:
CURRENT RATING: 4A
VOLTAGE RATING: 60V
3. MECHANICAL:
OPERATING TEMP.: -40°C to +85°C A1
PROTECTION CLASS: IP67
4. MATERIAL:
CONTACT: CuZn (BRASS)
CONTACT PLATING: Au (GOLD)

PRE-RELEASE
REFERENCE
USE ONLY

ENG.-NO: N03FA03134

THIS DRAWING CONTAINS INFORMATION THAT IS PROPRIETARY TO MOLEX ELECTRONIC TECHNOLOGIES, LLC AND SHOULD NOT BE USED WITHOUT WRITTEN PERMISSION												
QUALITY SYMBOLS	2016/08/10	2016/08/10	DRWN: LRAMMURTHY	CHK'D:	APPR:	EC NO: 107393	GENERAL TOLERANCES (UNLESS SPECIFIED)		DIMENSION UNITS	SCALE	<h1 style="margin: 0;">molex®</h1>	
							ANGULAR TOL ± 1.0 °		MM	4:1		
							4 PLACES ±	3 PLACES ±	DRWN BY	DATE		FA M8 3P FE STR SCR UNSH
							2 PLACES ± 0.05	1 PLACE ± 0.3	MSCHWARZ	2015/06/30		
							0 PLACES ± 0.5	DRAFT WHERE APPLICABLE MUST REMAIN WITHIN DIMENSIONS		CHK'D BY		DATE
A = 0	B = 0	C = 0	D = 0	E = 0	F = 0	G = 0	H = 0	I = 0	J = 0	K = 0	L = 0	

RELEASE STATUS	RQ	RELEASE DATE	25.08.2016	14:38:21
----------------	----	--------------	------------	----------