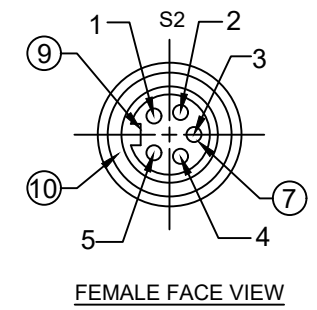
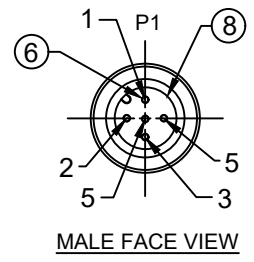
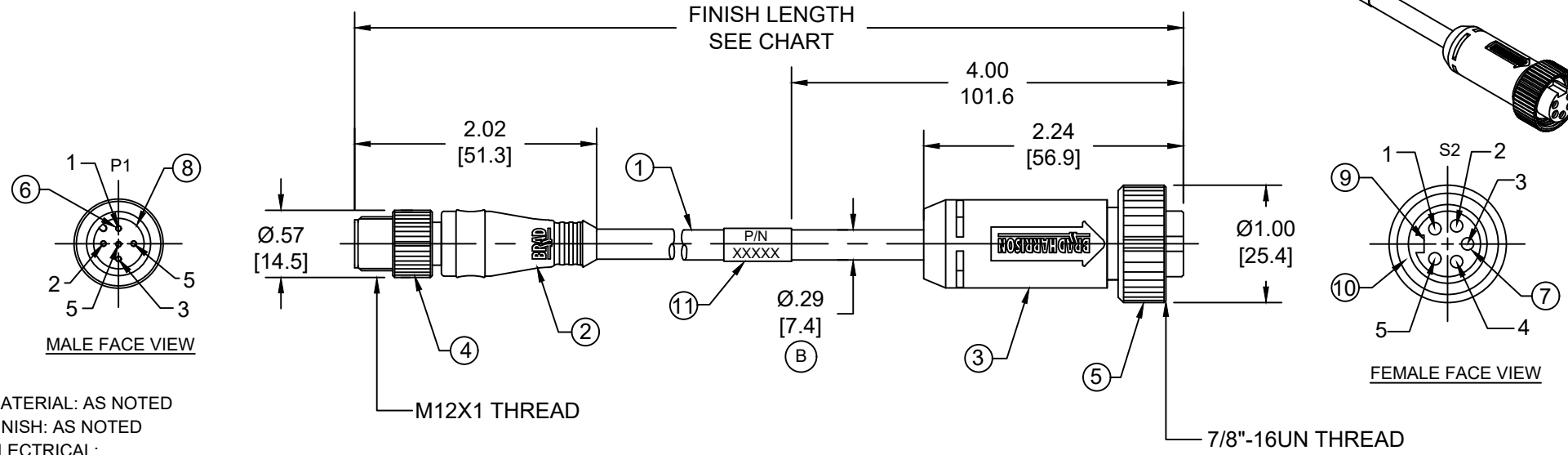
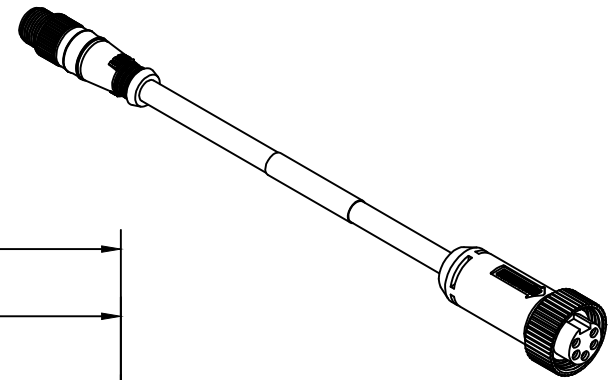


SAP P/N #	ENGINEERING P/N	FINISHED LENGTH
1300390144	DND12A-M005	0.5M [1FT 8 IN]
1300390147	DND12A-M030	3M [9FT 10 IN]
1300390150	DND12A-M060	6M [19FT 8 IN]



NOTES:

- MATERIAL: AS NOTED
- FINISH: AS NOTED
- ELECTRICAL:
VOLTAGE: 250V
CURRENT: 4A
- TEMP RATING: -20°C TO +80°C
- PROTECTION: IP67 (WHEN MATED)
- UL LISTED FILE: E152210
CSA CERTIFIED FILE: LR6837
- ALL DIMENSIONS ARE FOR REFERENCE UNLESS TOLERANCED OR NOTED OTHERWISE

PART NUMBER LEGEND
DND12A-M005
 LENGTH:
 M005= 0.5 METER
 M010= 1 METER
 M100= 10 METER

P1		S2	
1	DRAIN	1	
2	RED	2	
3	BLACK	3	
4	WHITE	4	
5	BLUE	5	

CABLE LENGTH TOLERANCES

<.3M [1FT]	: +19mm-0 [+.75in-0]
.3 - .9M [1 - 3FT]	: +44.5mm-0 [+1.75in-0]
.9 - 1.8M [3 - 6FT]	: +55.6mm-0 [+2.19in-0]
1.8 - 3.7M [6 - 12FT]	: +88.9mm-0 [+3.50in-0]
3.7 - 7.3M [12 - 24FT]	: +165.1mm-0 [+6.50in-0]
7.3-14.6M [24 - 48FT]	: +317.5mm-0 [+12.50in-0]
14.6 - 30.5M [48-100FT]	: +622.3mm-0 [+24.50in-0]
OVER 30M [100FT]	: +2% OF FINISHED LENGTH

11	WRAP LABEL	VINYL	BLACK/YELLOW
10	FRICTION RING	NYLON	WHITE
9	FEMALE INSERT(MINI)	TPE	BLACK
8	MALE INSERT(MICRO)	NYLON	BLACK
7	SOCKET CONTACT	COPPER ALLOY	GOLD OVER NICKEL
6	PIN CONTACT	COPPER ALLOY	GOLD OVER NICKEL
5	COUPLING NUT(MINI)	ZINC DIE-CAST	BLACK E-COAT
4	COUPLING NUT(MICRO)	ZINC DIE-CAST	BLACK E-COAT
3	OVERMOLD(MINI)	TPC	GRAY
2	OVERMOLD(MICRO)	TPC	GRAY
1	DEVICENET DROP CABLE	PVC JACKET	GRAY
ITEM	COMPONENT	MATERIAL	FINISH

WIRING DIAGRAM

FUNCTIONAL SYMBOLS $\nabla = 0$ $\nabla = 0$ $\nabla = 0$	THIS DRAWING CONTAINS INFORMATION THAT IS PROPRIETARY TO MOLEX ELECTRONIC TECHNOLOGIES, LLC AND SHOULD NOT BE USED WITHOUT WRITTEN PERMISSION																				
	DIMENSION UNITS INCH/MM	SCALE NTS	CURRENT REV DESC: ITEM-2, 3 & 9 WERE PVC. ADDED ITEM-10, TOL CHART, UL, CSA, CABLE DIA AND PN LEGEND. MODIFIED PN CHART																		
	GENERAL TOLERANCES (UNLESS SPECIFIED)		EC NO: 720800																		
	<table border="1"> <thead> <tr> <th></th> <th>mm</th> <th>INCH</th> </tr> </thead> <tbody> <tr> <td>4 PLACES</td> <td>±----</td> <td>±----</td> </tr> <tr> <td>3 PLACES</td> <td>±----</td> <td>±----</td> </tr> <tr> <td>2 PLACES</td> <td>±----</td> <td>±----</td> </tr> <tr> <td>1 PLACE</td> <td>±----</td> <td>±----</td> </tr> <tr> <td>0 PLACES</td> <td>±----</td> <td>±----</td> </tr> </tbody> </table>			mm	INCH	4 PLACES	±----	±----	3 PLACES	±----	±----	2 PLACES	±----	±----	1 PLACE	±----	±----	0 PLACES	±----	±----	DRWN: TWOLDEGE 2010/01/11 APPR: JFMURPHY 2010/01/20
	mm	INCH																			
4 PLACES	±----	±----																			
3 PLACES	±----	±----																			
2 PLACES	±----	±----																			
1 PLACE	±----	±----																			
0 PLACES	±----	±----																			
DIVISIONAL SYMBOLS	ANGULAR TOL ± ---- °		THIRD ANGLE PROJECTION																		
DRAFT WHERE APPLICABLE MUST REMAIN WITHIN DIMENSIONS		DRAWING A-SIZE	SERIES 130039	MATERIAL NUMBER SEE CHART																	

MOLEX

MICRO-MINI CHANGE DEVICENET, M12-A-SIZE, 5 POLE, MALE-FEMALE, STRAIGHT, SINGLE KEY, #22/4 AWG

PRODUCT CUSTOMER DRAWING

DOCUMENT NUMBER: **SD-130039-018** DOC TYPE: PSD DOC PART: 001 REVISION: B

CUSTOMER: GENERAL MARKET SHEET NUMBER: 1 OF 1