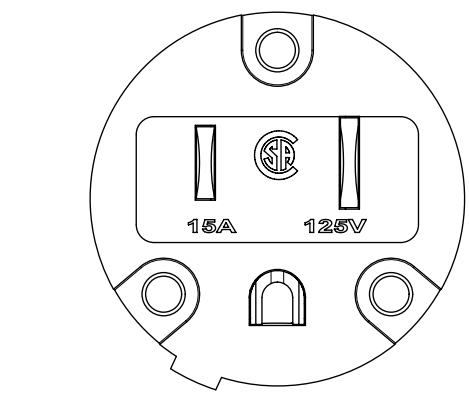
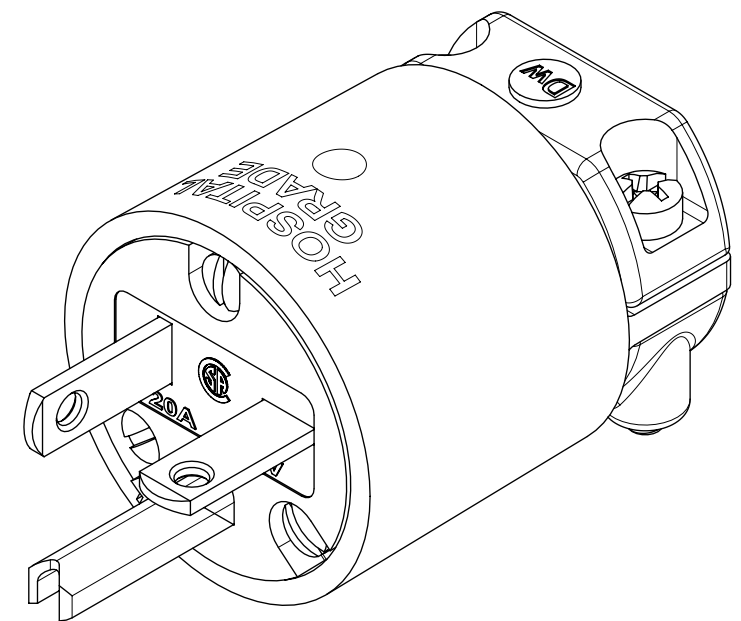
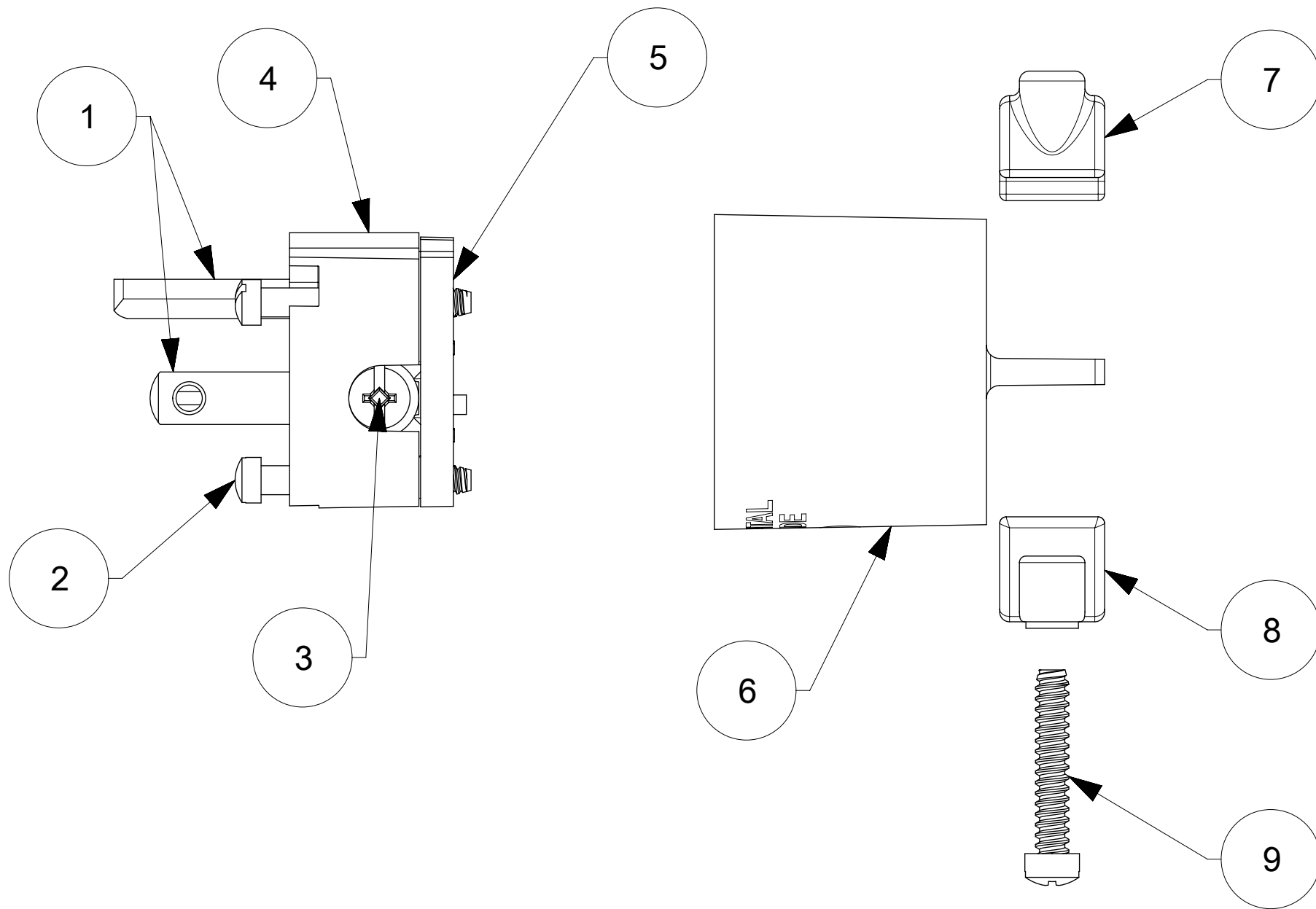
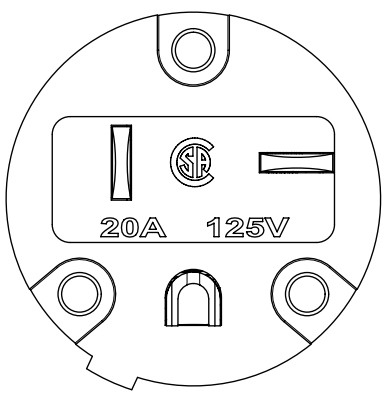


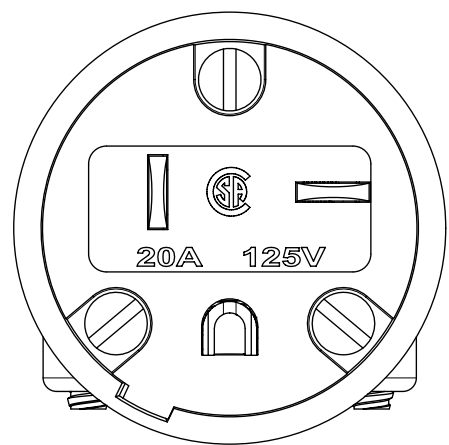
ORDER NO.	WOODHEAD NO.	COLOR	NEMA CONFIG
130144-0085	85433	TRANSPARENT	5-20
130144-0087	85447	TRANSPARENT	5-15



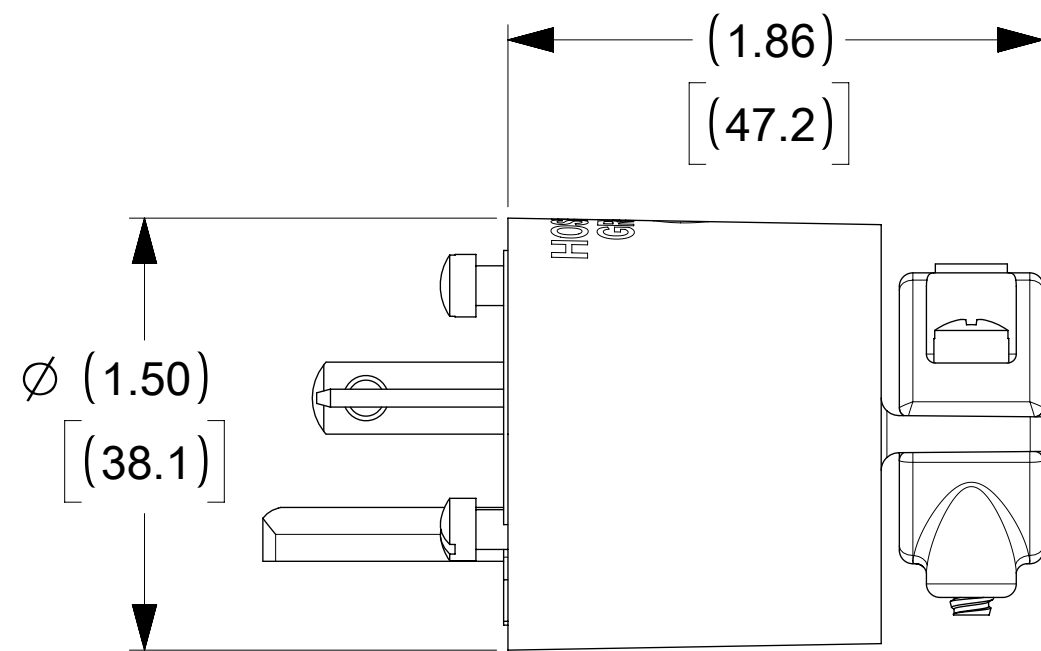
**NEMA 5-15 PLUG (85447)**



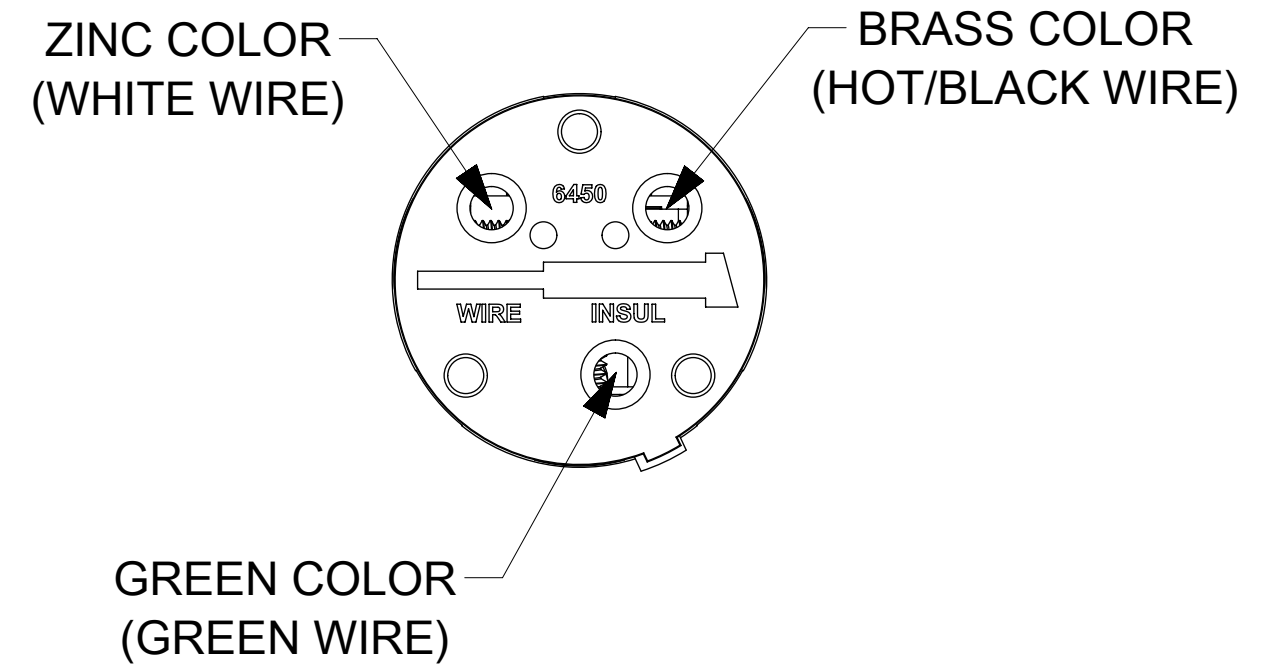
**NEMA 5-20 PLUG (85433)**



**FACE VIEW**



**WIRING TERMINATION**



ITEM NO.	DESCRIPTIONS	MATERIAL	QTY.
1	BLADES	BRASS, NICKEL PLATED	3
2	RETAINING SCREWS	STAINLESS STEEL	3
3	TERMINAL SCREWS/CLAMP ASSEMBLY	BRASS, ZINC PLATED	3
4	INSERT	NYLON	1
5	TERMINAL COVER	POLYCARBONATE	1
6	HOUSING	NYLON	1
7	CLAMP CORD	NYLON	1
8	CLAMP CORD HALF	NYLON	1
9	RETAINING SCREWS	STAINLESS STEEL	2

<b>SYMBOLS</b> DIMENSION UNITS: INCH[MM] SCALE: NTS CURRENT REV DESC: NEW RELEASE GENERAL TOLERANCES (UNLESS SPECIFIED): 4 PLACES: ± 3 PLACES: ± 2 PLACES: ± 1 PLACE: ± 0 PLACES: ± ANGULAR TOL: ± ° DRAFT WHERE APPLICABLE MUST REMAIN WITHIN DIMENSIONS THIRD ANGLE PROJECTION DRAWING SERIES: C-SIZE 130144	<b>THIS DRAWING CONTAINS INFORMATION THAT IS PROPRIETARY TO MOLEX ELECTRONIC TECHNOLOGIES, LLC AND SHOULD NOT BE USED WITHOUT WRITTEN PERMISSION</b>		<b>EC NO: 621204</b> DRWN: VBASUTHKARP 2019/05/20 CHK'D: DNGUYEN62 2019/11/12 APPR: HKNEELAND 2020/06/01 <b>INITIAL REVISION:</b> DRWN: VBASUTHKARP 2019/05/20 APPR: HKNEELAND 2020/06/01			
	SAFEWAY HOSPITAL-GRADE PLUG 2P3W 5-20 PRODUCT CUSTOMER DRAWING		DOCUMENT NUMBER: 1301440085 MATERIAL NUMBER: SEE TABLE	DOC TYPE: PSD DOC PART: 000 CUSTOMER: GENERAL MARKET	REVISION: A SHEET NUMBER: 1 OF 1	