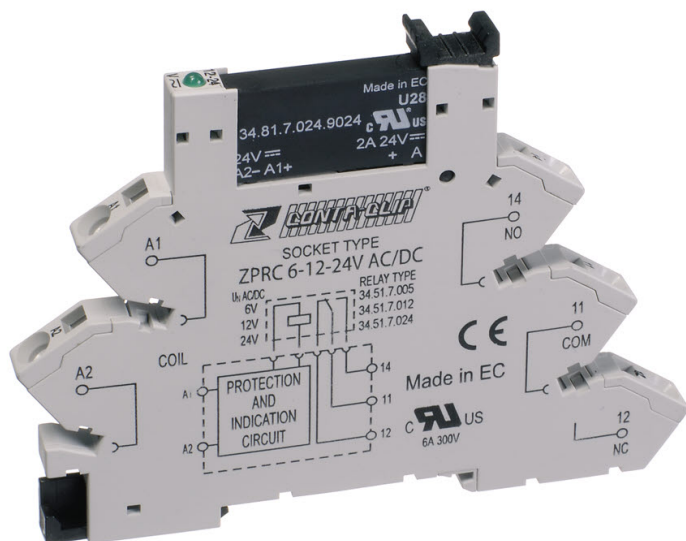


## 15534.2 ZPSCU 1/24V DC/24V DC



Plug-Solid-state-Compact (ZPSC) Complete, Consisting of base ZPRC... with tension-spring connection and pluggable miniature SSR PSC... , Mounting type: Mounting rail TS 35, 1 NO contact, Input voltage: 24 VDC

### Business data

Article number	<u>15534.2</u>
Article name	ZPSCU 1/24V DC/24V DC
GTIN (EAN)	4044211118730
Packaging unit	10
Quantity unit	PC
Weight per piece (not including packaging)	33.5 g
Weight per piece (including packaging)	36.14 g
Unit of weight	G
Customs number	85364900
Country of origin	QU
Product description	Solid-state terminal

### Technical data

#### Dimensions

Length	87.3 mm
Width	6.2 mm
Height	79.9 mm

#### Connection data

Connection principle	Tension-spring connection
Wire cross-section single core (rigid), min.	0.2 mm <sup>2</sup>
Wire cross-section single-core (rigid), max.	2.5 mm <sup>2</sup>
Wire cross-section stranded, min.	0.2 mm <sup>2</sup>
Wire cross-section stranded, max.	2.5 mm <sup>2</sup>
Wire cross-section stranded with wire-end ferrules, min.	0.2 mm <sup>2</sup>
Wire cross-section stranded with wire-end ferrules, max.	2.5 mm <sup>2</sup>
Stripping length	10 mm

#### Input data

Input voltage	24 VDC
Drop-out voltage	10 VDC
Control current	10,5 mA
Number of channels	1
Operating range	16-30 VDC
Power consumption	0,2 W

#### Output data

Output voltage range	1,5-24 VDC V
Voltage drop at 20 °C and rated current, max.	0,12 V
Switching current, min.	0,001 A
Continuous current max. / Inrush current max.	2 / 40 A
Residual current at 55 °C, max.	0,001 mA

#### Materials

Working temperature, min.	-20 °C
Working temperature, max.	55 °C

#### Further technical data

Status display	✓
Response/release time	0,1 / 0,6 ms
Test voltage	2.5 kV

---

### Technical data

---

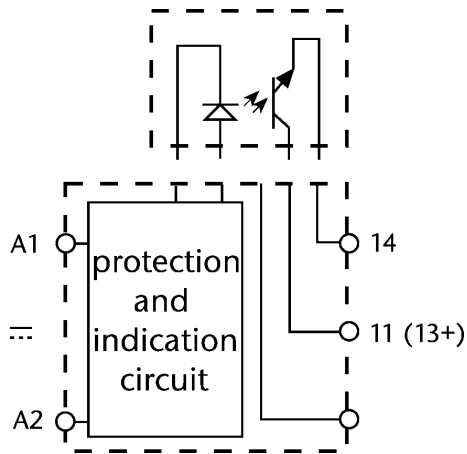
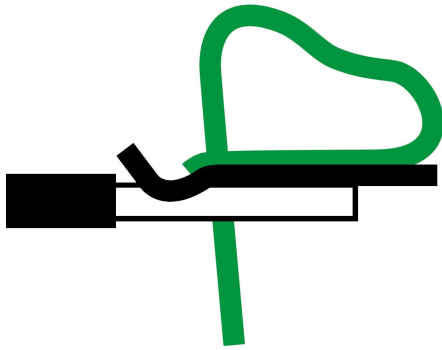
#### Environmental Product Compliance

---

REACH Conform	yes
REACH Reference date	2022-01-17
REACH Candidate Substance Note	No
RoHS Conform	yes

---

### Media



---

### Accessories

---