

Rear panel feed-through - UC-12S1N8AQ0DU - 1606387


Please be informed that the data shown in this PDF Document is generated from our Online Catalog. Please find the complete data in the user's documentation. Our General Terms of Use for Downloads are valid (<http://phoenixcontact.com/download>)



Feed-through of rear wall, straight, shielded: yes, Screw locking, M23, No. of pos.: 12, type of contact: Socket, Crimp connection, Axial O-ring, Central fixing, cable diameter range: 2 mm ... 14.5 mm



Key Commercial Data

Packing unit	10 pc
GTIN	 4 046356 259255
GTIN	4046356259255

Technical data

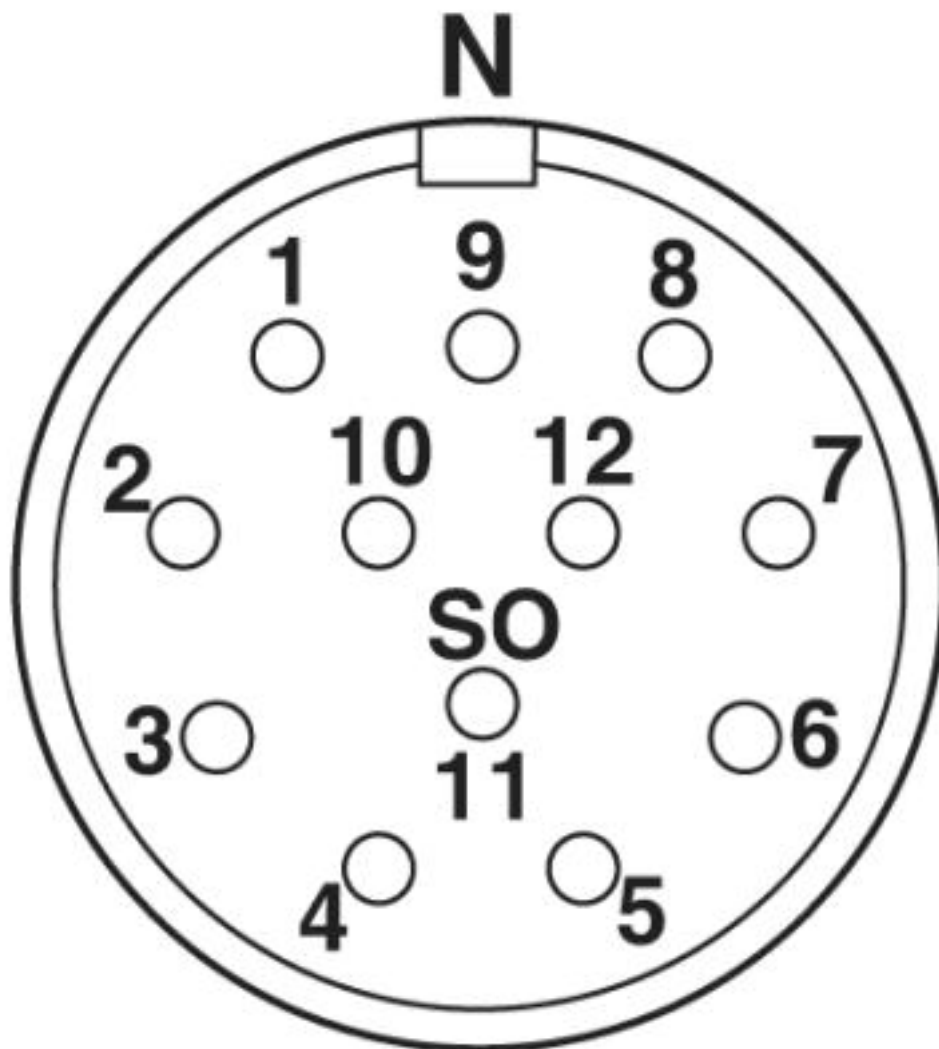
Environmental Product Compliance

	Lead 7439-92-1
China RoHS	Environmentally Friendly Use Period = 50
	For details about hazardous substances go to tab "Downloads", Category "Manufacturer's declaration"

Drawings

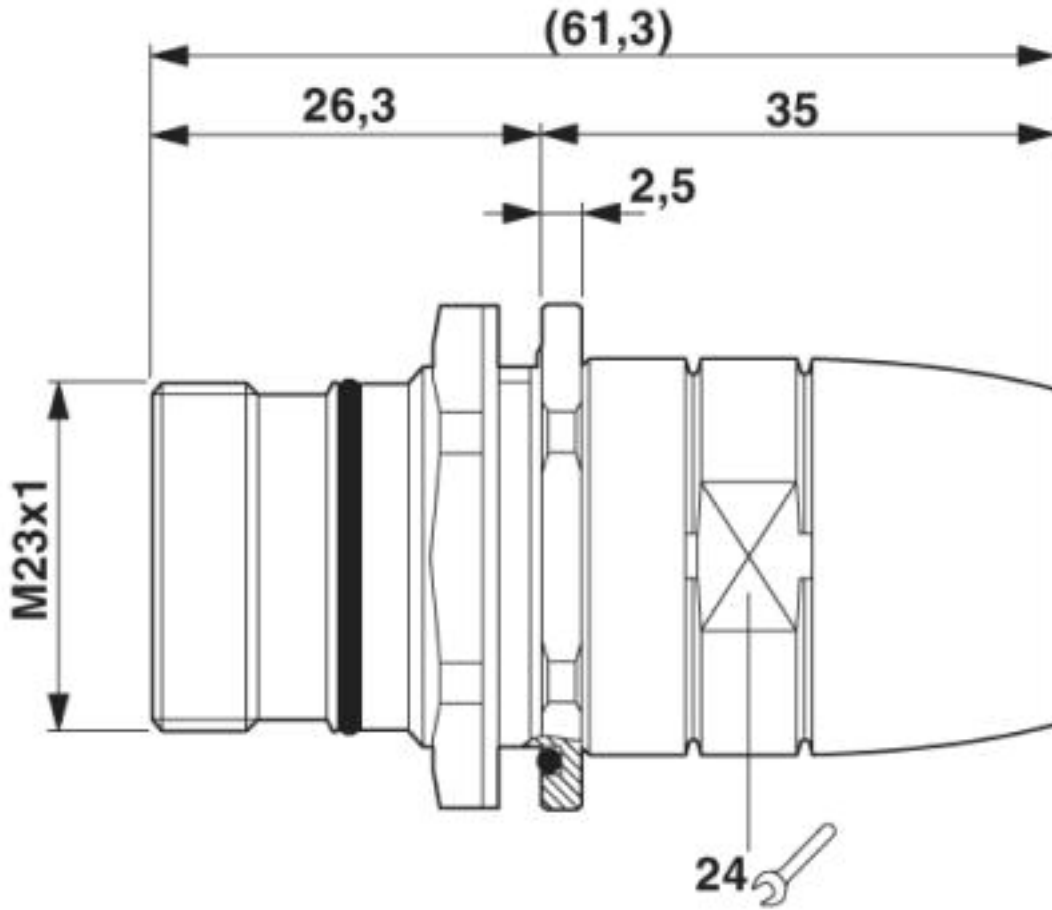
Rear panel feed-through - UC-12S1N8AQ0DU - 1606387

Schematic diagram



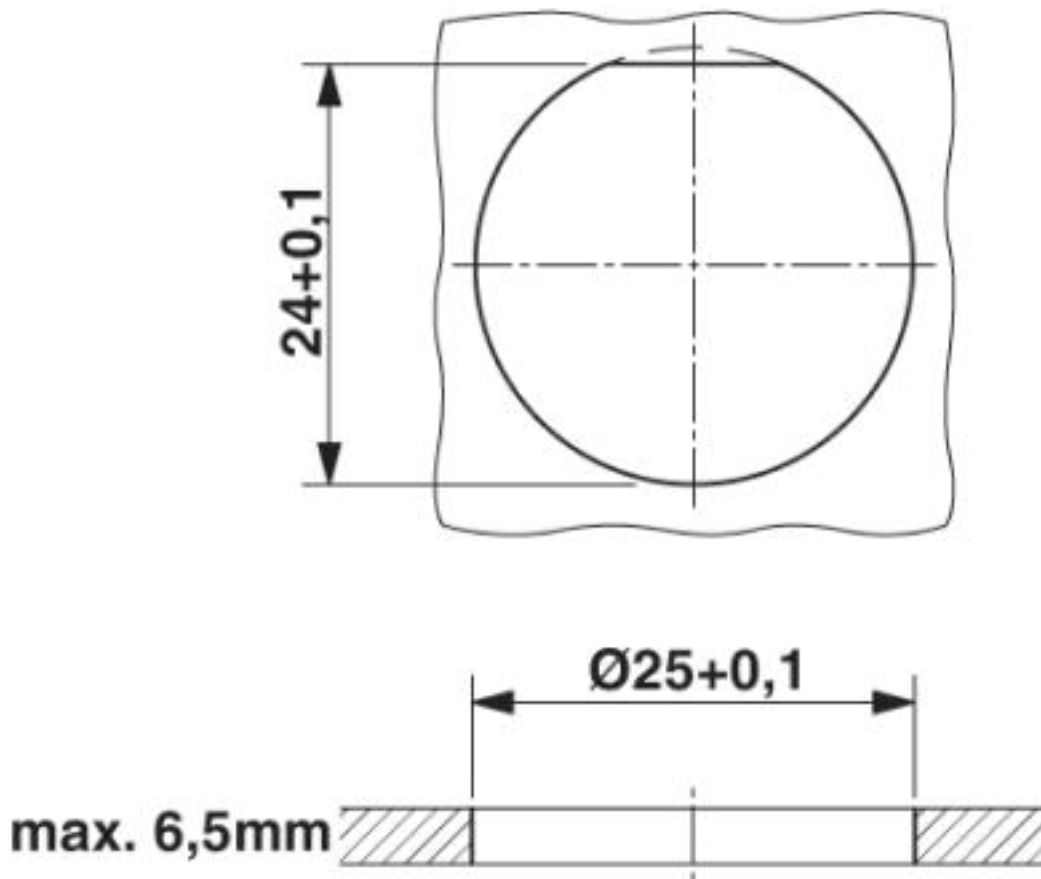
Rear panel feed-through - UC-12S1N8AQ0DU - 1606387

Dimensional drawing



Rear panel feed-through - UC-12S1N8AQ0DU - 1606387

Dimensional drawing



Approvals

Approvals

Approvals

EAC

Ex Approvals

Approval details

EAC		B.01742
-----	--	---------

Phoenix Contact 2019 © - all rights reserved
<http://www.phoenixcontact.com>

PHOENIX CONTACT GmbH & Co. KG
Flachmarktstr. 8
32825 Blomberg
Germany
Tel. +49 5235 300
Fax +49 5235 3 41200
<http://www.phoenixcontact.com>