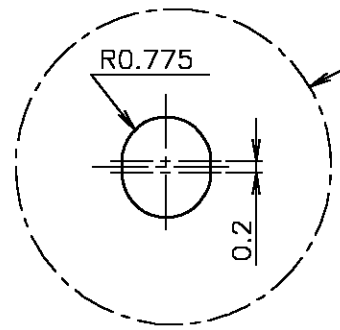
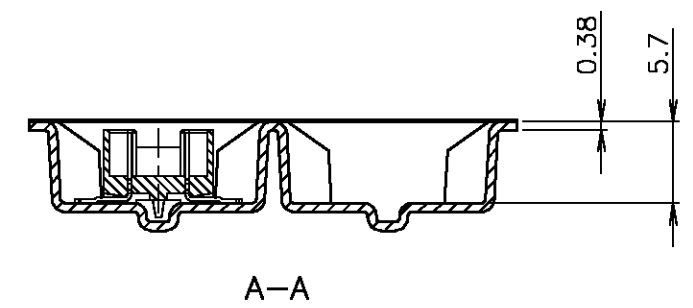
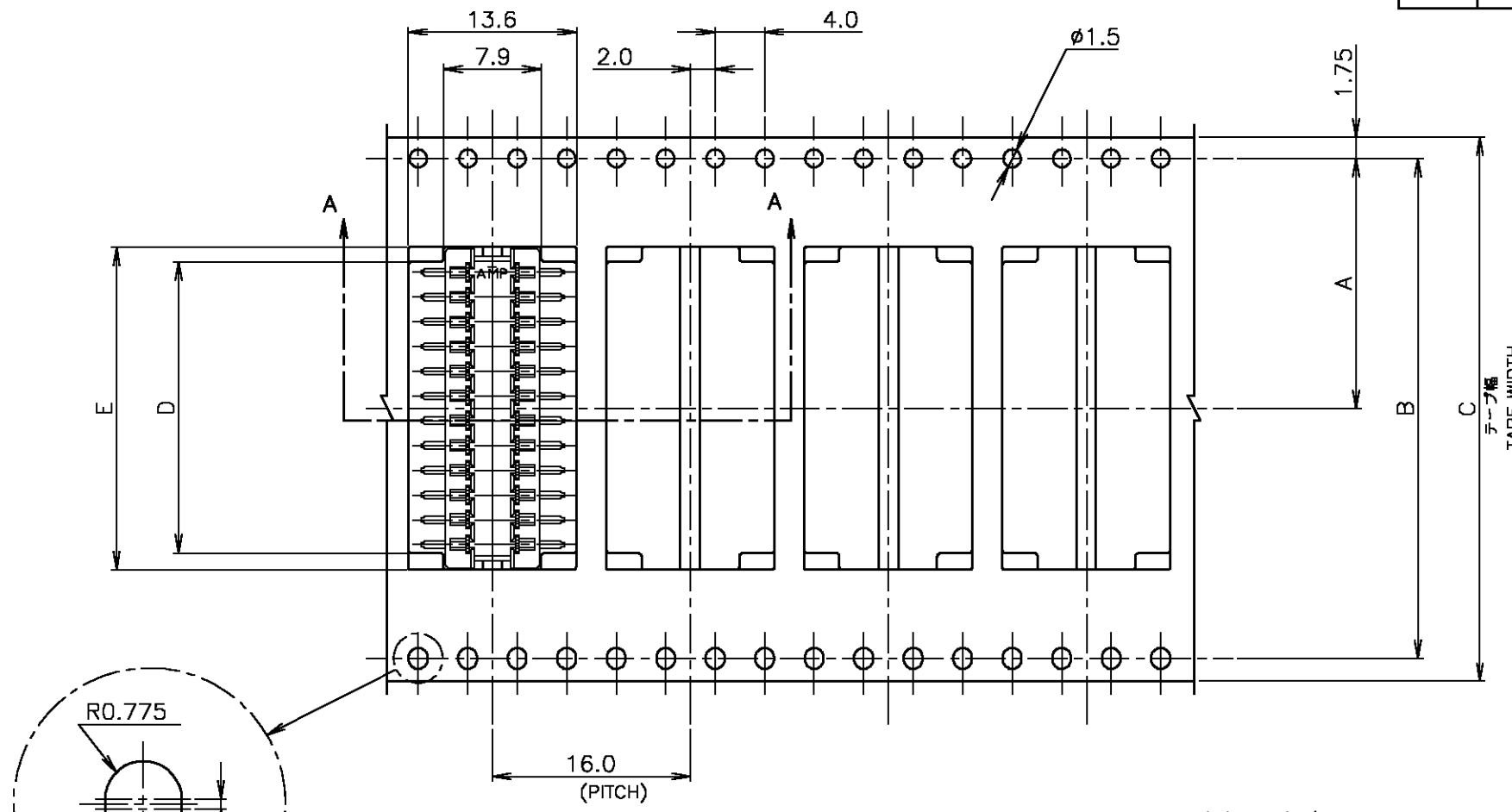


THIS DRAWING IS UNPUBLISHED. RELEASED FOR PUBLICATION  
 © COPYRIGHT BY TYCO ELECTRONICS CORPORATION. ALL RIGHTS RESERVED.

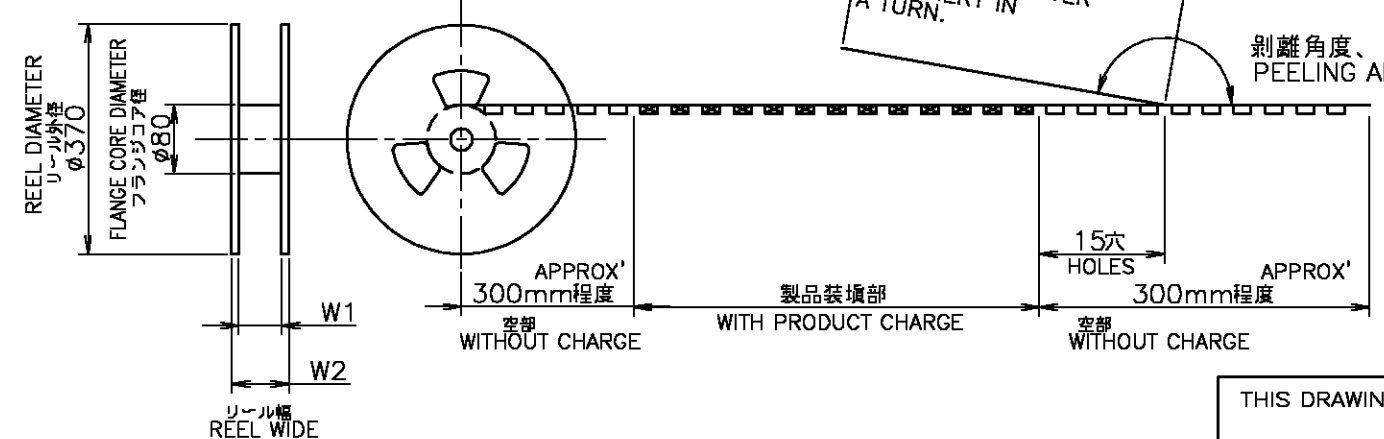
LOC	DIST	REVISIONS					
J		P	LTR	DESCRIPTION	DATE	DWN	APVD
		F		REVISED FJBO-0346-03	28APR03	T.K	Y.Y



引出し方向  
TOP OF REEL →

注記  
1.リセコンタクト仕上げ:ニッケル下地 錫めっき  
  
注記  
1.REC CONTACT FINISH :  
TIN PLATING, Ni UNDER PL. ALL OVER

カバーテープ  
リーダー部  
外周一巻  
WEEDING THE COVER TAPE  
AROUND THE OUTER  
PERIPHERY IN  
A TURN.  
剥離角度、165° ~ 180°  
PEELING ANGLE.



49.5	45.5	32.1	29.6	44	40.4	20.2	800	30	3-179395-0	3-179437-0
49.5	45.5	32.1	29.6	44	40.4	20.2	800	22	2-179395-2	2-179437-2
29.5	25.5	8.1	5.6	24	---	11.5	800	6	179395-6	179437-6
W2	W1	E	D	C	B	A	数量 (ヶ) QTY/REEL	極数 Pos.	コネクタ型番 (バラ状) CONNECTOR P/N (L/P)	リール巻 コネクタ型番 TAPING P/N

THIS DRAWING IS A CONTROLLED DOCUMENT.

DIMENSIONS: MM	TOLERANCES UNLESS OTHERWISE SPECIFIED: 0-PLC ± 1-PLC ± 2-PLC ± 3-PLC ± 4-PLC ± ANGLES ±	100T : ±0.2 1000A 300T : ±0.25 3000A 1000T : ±0.3 A.R : ±.3	DWN K.ASAKAWA 24JAN94 CHK S.KUBOUCHI 24JAN94 APVD S.KUBOUCHI 16JUN95	tyco Electronics Tyco Electronics AMP K.K. Kawasaki, Japan
MATERIAL	FINISH		PRODUCT SPEC APPLICATION SPEC WEIGHT	NAME 2.0 A-F CONN. REC ASSEMBLY (V-TYPE) ON TAPING
			CUSTOMER DRAWING	SIZE A3 CAGE CODE 00779 DRAWING NO 179437 RESTRICTED TO
				SCALE NTS SHEET 1 OF 1 REV F