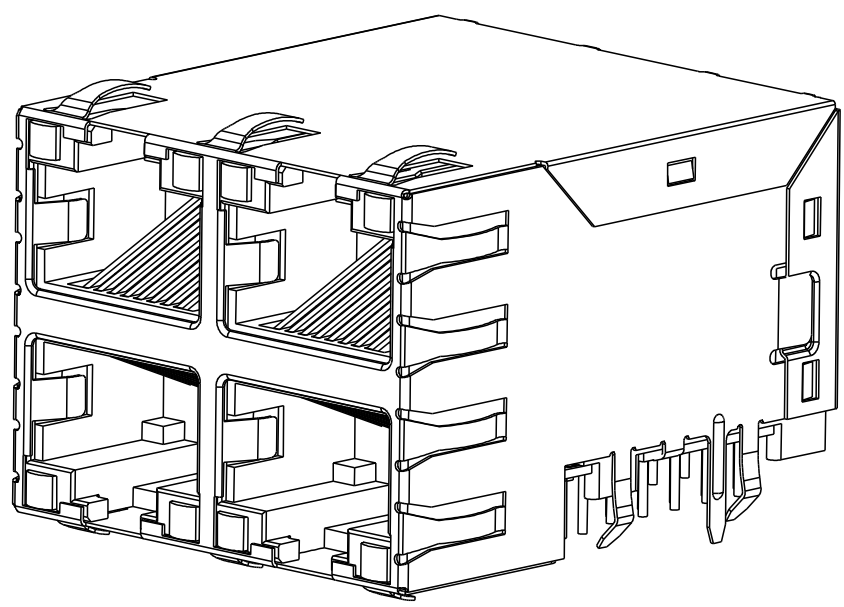
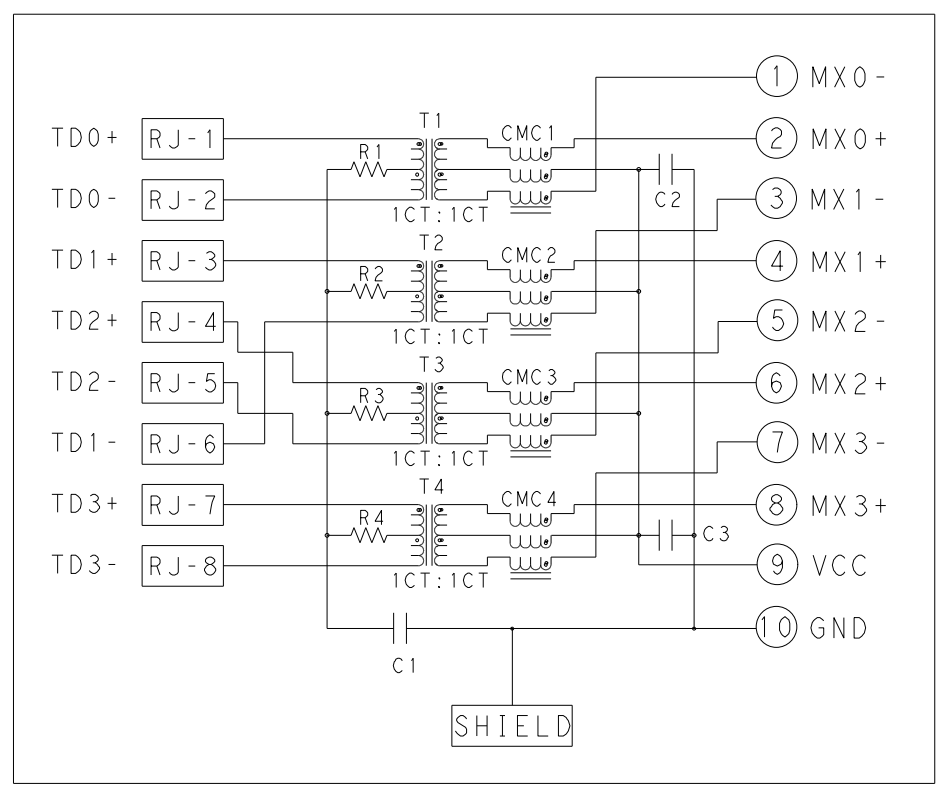


REVISIONS				
P	LYR	DESCRIPTION	DATE	APPV
E		LOGO CHANGE	02APR2013	TR KZ

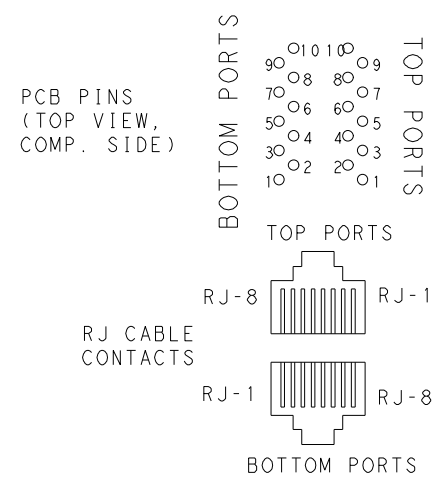


S8G56 GIGABIT CIRCUIT Δ Δ
 TOP AND BOTTOM PORTS



C1 = 1000pF, 2kV CAPACITOR
 C2 - C3 = 10nF, 50V CAPACITORS
 R1-R4 = 75 Ohms, 1/16 W, RESISTORS

PIN DESIGNATIONS
 (REPEAT FOR EACH VERTICAL PAIR OF PORTS))



- 1 MATERIALS:
- HOUSING: THERMOPLASTIC, BLACK, FLAMMABILITY RATING UL 94V-0.
 - SHIELD: BRASS, PREPLATED WITH 0.76um MIN SEMI-BRIGHT NICKEL, POST DIPPED WITH 2.54um MIN SAC SOLDER ON SOLDER TAILS.
 - CONTACTS: PHOSPHOR BRONZE, PLATED WITH 1.27um MIN OVERALL NICKEL UNDERPLATE, SELECTIVE 1.27um MIN GOLD AT MATING INTERFACE AND 2.54um MIN MATTE TIN ON SOLDER TAILS.
 - LED: DIFFUSED EPOXY LENS, CARBON STEEL LEAD FRAME LEADS, PREPLATED WITH 2.03um MIN SILVER OVER 1.02um MIN NICKEL OVER 1.02um MIN COPPER UNDERPLATE, POST PLATED WITH 2.54um MIN MATTE TIN AND/OR 2.54um MIN SAC SOLDER DIP OR PURE TIN SOLDER DIP.

- Δ MAGNETICS
- APPLICATION: 10/100/1000 BASE-T
 - IMPEDANCE: 100 OHMS
 - TURNS RATIO (CHIP:CABLE): 1:1 ALL FOUR PAIRS
 - OPEN CIRCUIT INDUCTANCE (OCL): 350uH MIN @100kHz, 0.1VRMS, 8mADC BIAS FROM 0 °C TO 70 °C, ALL FOUR PAIRS
 - ALL FOUR PAIRS BI-DIRECTIONAL
 - PERFORMANCE @ 25 °C:
 - INSERTION LOSS (IL): 1.1dB MAX FROM 0.5MHz TO 100MHz
 - RETURN LOSS (RL): 18dB MIN FROM 0.5MHz TO 40MHz
 - 12-20LOG(f/80)dB MIN FROM 40.1MHz TO 100MHz
 - CROSSTALK ATTENUATION: 35dB MIN FROM 0.5MHz TO 40MHz
 - 33-20LOG(f/50)dB MIN FROM 40.1MHz TO 100MHz
 - COMMON MODE REJECTION RATIO (CMRR): 30dB MIN FROM 0.5MHz TO 100MHz
 - ISOLATION VOLTAGE: 2250VDC (MAX) FOR 60 SECONDS WITH A RISE TIME OF 500V/SEC AND WITH ALL PORTS CONNECTED..

Δ PART NUMBER, DATE CODE AND COUNTRY OF ORIGIN ARE LOCATED IN THE APPROXIMATE AREA SHOWN. DATE CODE YY IS YEAR, WW IS WORK WEEK, D IS DAY OF WEEK, WITH SUNDAY=1

Δ TRP LOGO AND AGENCY APPROVAL LOGO ARE LOCATED IN THE APPROXIMATE AREA SHOWN.

Δ RJ45 CAVITIES CONFORM TO FCC RULES AND REGULATION PART 68 SUBPART F.

Δ LEDS ARE DRIVEN WITH CONSTANT CURRENT AT APPROX. 20mA.
 DOMINANT WAVELENGTH (λ D)
 GREEN, 568nm TYP AT IF=20mA
 YELLOW, 588nm TYP AT IF=20mA
 FORWARD VOLTAGE(VF)
 GREEN, 2.2V TYP AT IF=20mA
 YELLOW, 2.1V TYP AT IF=20mA

Δ INDICATED MAGNETIC CONNECTIONS ARE SYMMETRICAL AND SUPPORT AUTO-MDI/MDIX.

8 OPERATING TEMPERATURE: FROM 0 °C TO 70 °C

9 THE PARTS ARE RECOMMENDED FOR WAVE SOLDERING PROCESS, PEAK TEMPERATURE 260 °C MAX. 10 SECONDS MAX.

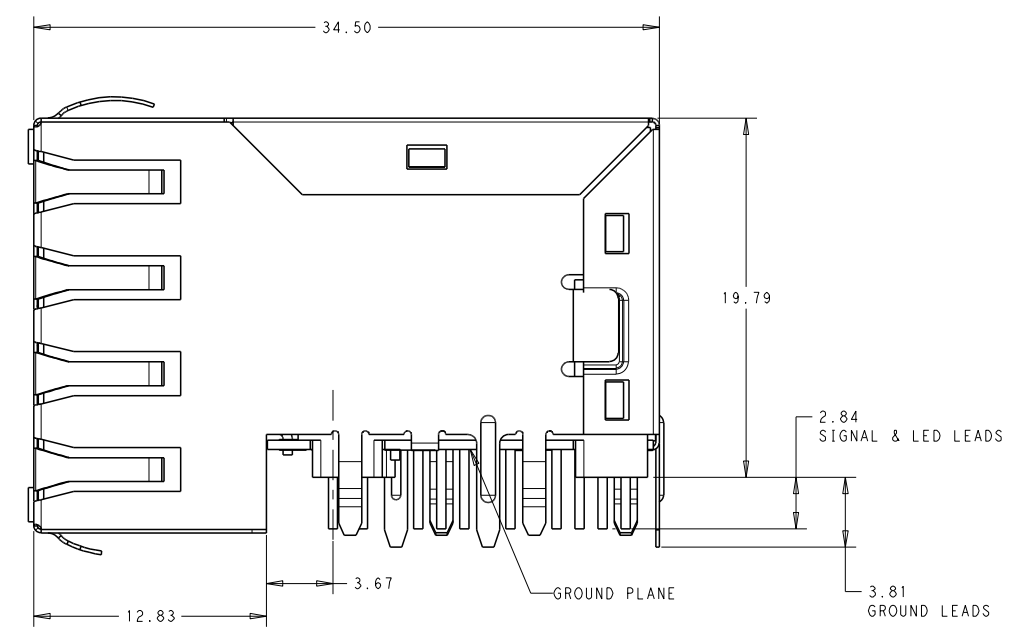
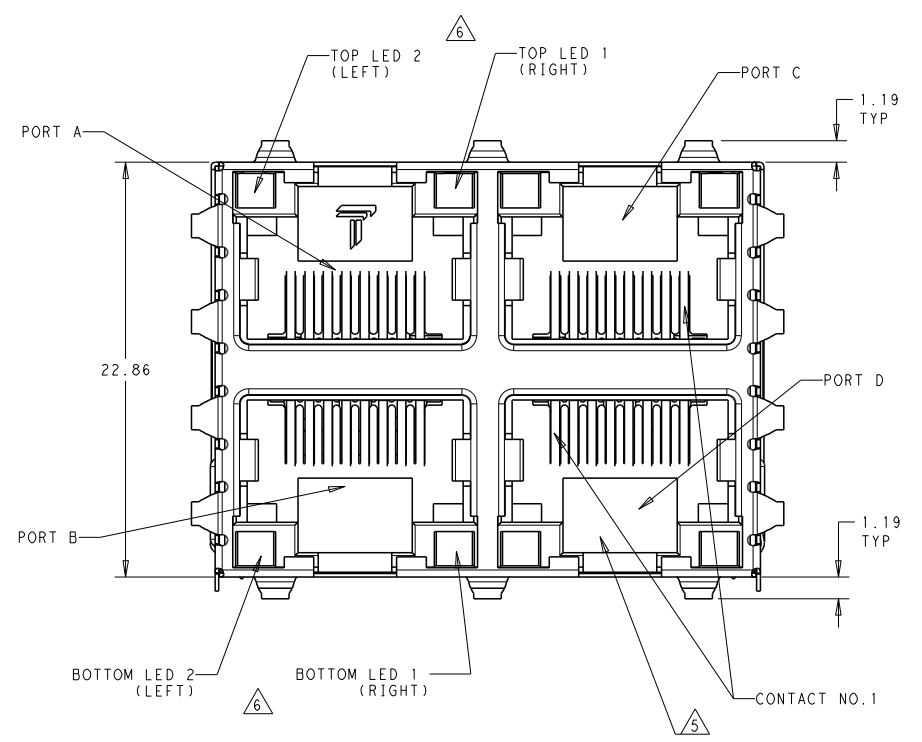
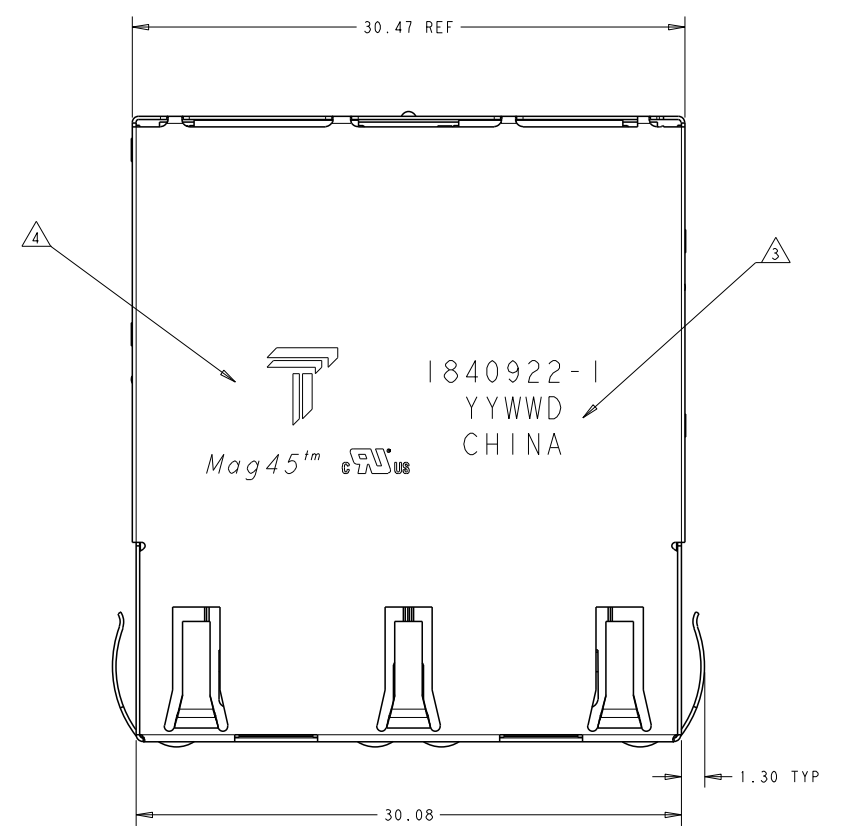
GREEN	YELLOW	GREEN	YELLOW	1	1840922-3
GREEN/YELLOW	GREEN/YELLOW	GREEN/YELLOW	GREEN/YELLOW	1	1840922-1
BOTTOM LED 2 (LEFT)	BOTTOM LED 1 (RIGHT)	TOP LED 2 (LEFT)	TOP LED 1 (RIGHT)	REAR PCB GND TABS	PART NUMBER

THIS DRAWING IS A CONTROLLED DOCUMENT. DWN: RICHARD QIAN 21DEC2009
 CHK: FRANK LIU 21DEC2009
 APVD: LI JUN RAO 21DEC2009

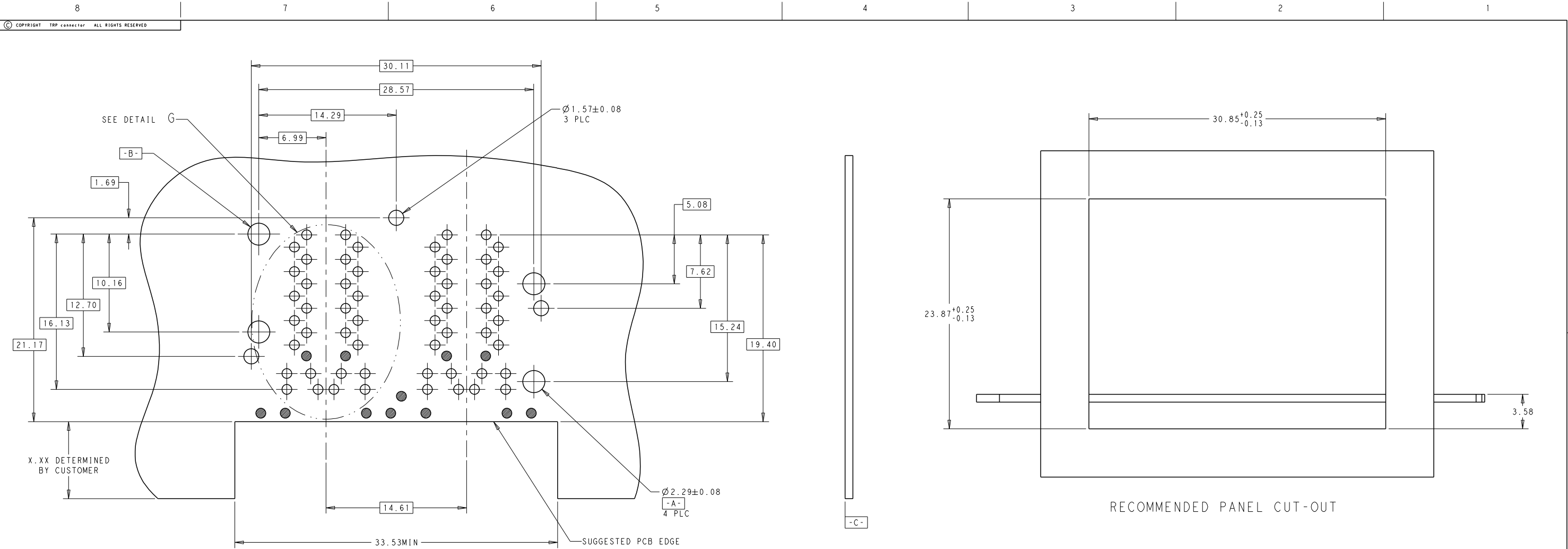
DIMENSIONS: mm
 TOLERANCES UNLESS OTHERWISE SPECIFIED:
 0 PLC ±
 1 PLC ±
 2 PLC ±0.25
 3 PLC ±
 4 PLC ±
 ANGLES ±
 FINISH ±

PRODUCT SPEC: 108-104004
 APPLICATION SPEC: -
 WEIGHT: -
 MATERIAL: -

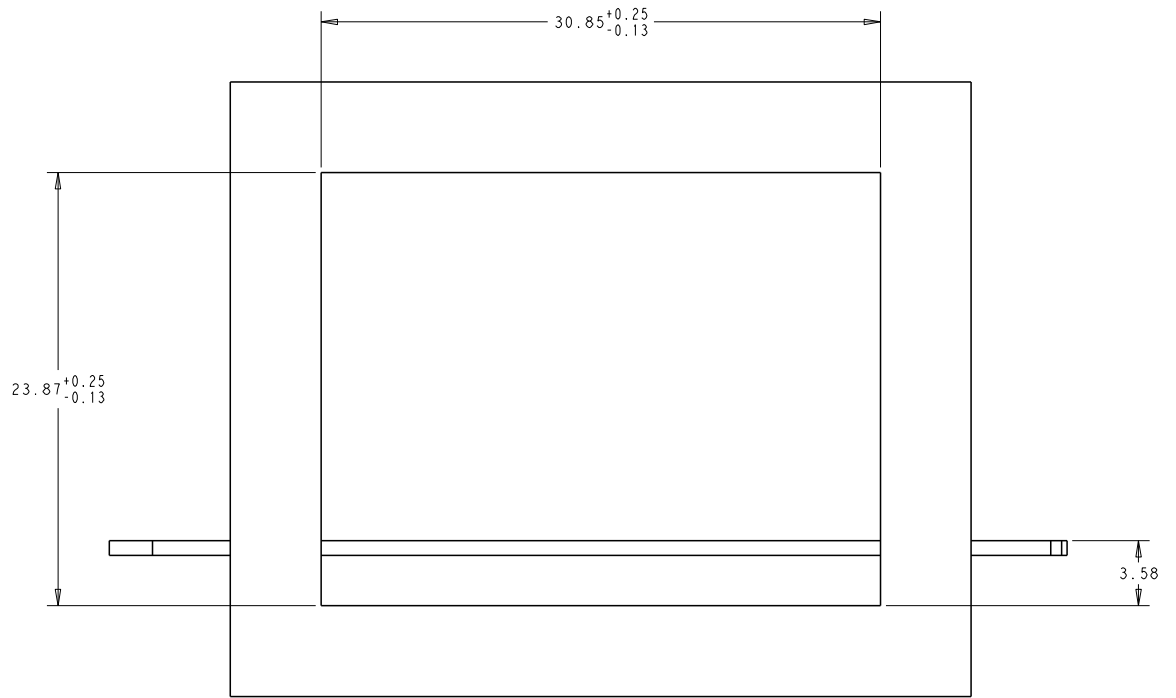
TRP connector Dongguan China
 NAME: 2X2 MAG45(TM) MODULAR JACK, OFFSET S8G56 GIGABIT CIRCUIT, W/ LED'S
 SIZE: A1
 CAGE CODE: -
 DRAWING NO: 1840922
 RESTRICTED TO: -
 SCALE: 4:1
 SHEET: 1 OF 4
 REV: E



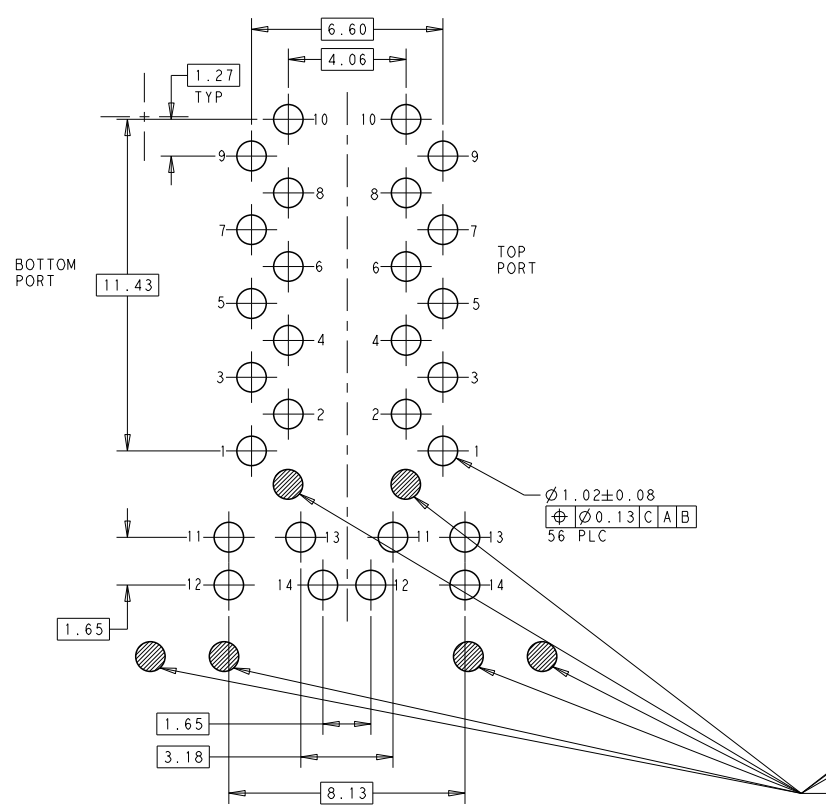
THIS DRAWING IS A CONTROLLED DOCUMENT.		OWN: RICHARD QIAN 21DEC2009	 TRP connector Dongguan China
		CHK: FRANK LIU 21DEC2009	
DIMENSIONS: mm		APPD: LI JUN RAO 21DEC2009	NAME: 2X2 MAG45(TM) MODULAR JACK, OFFSET S8G56 GIGABIT CIRCUIT, W/ LED'S APPLICATION SPEC
0 PLC ± 1 PLC ± 2 PLC ±0.25 3 PLC ± 4 PLC ± ANGLES ± FINISH		PRODUCT SPEC 108-104004 APPLICATION SPEC	
MATERIAL		WEIGHT	SIZE: A1 CAGE CODE: C=1840922 DRAWING NO: 1840922 CUSTOMER DRAWING
		SCALE: 4:1	SHEET 2 OF 4 REV E



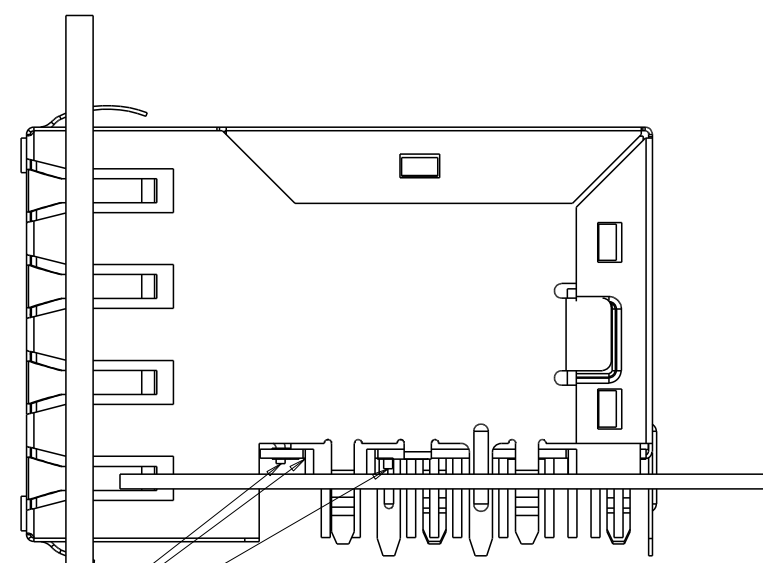
RECOMMENDED
PC BOARD LAYOUT VIEW FROM COMPONENT SIDE



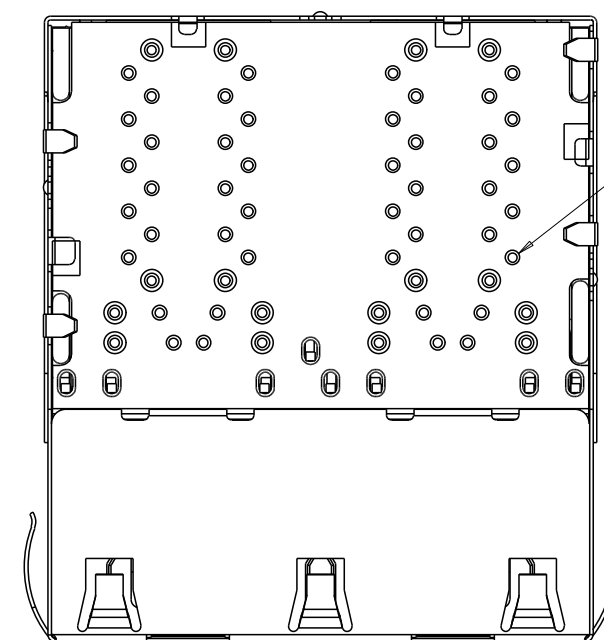
RECOMMENDED PANEL CUT-OUT



DETAIL G
SCALE 8:1

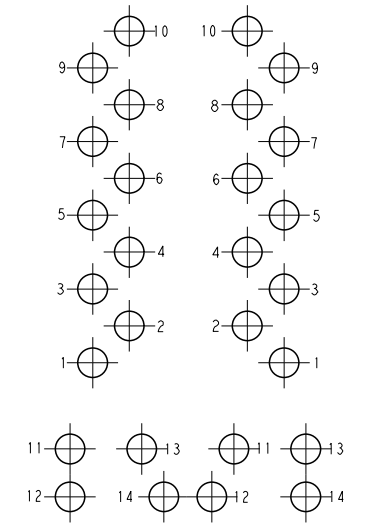
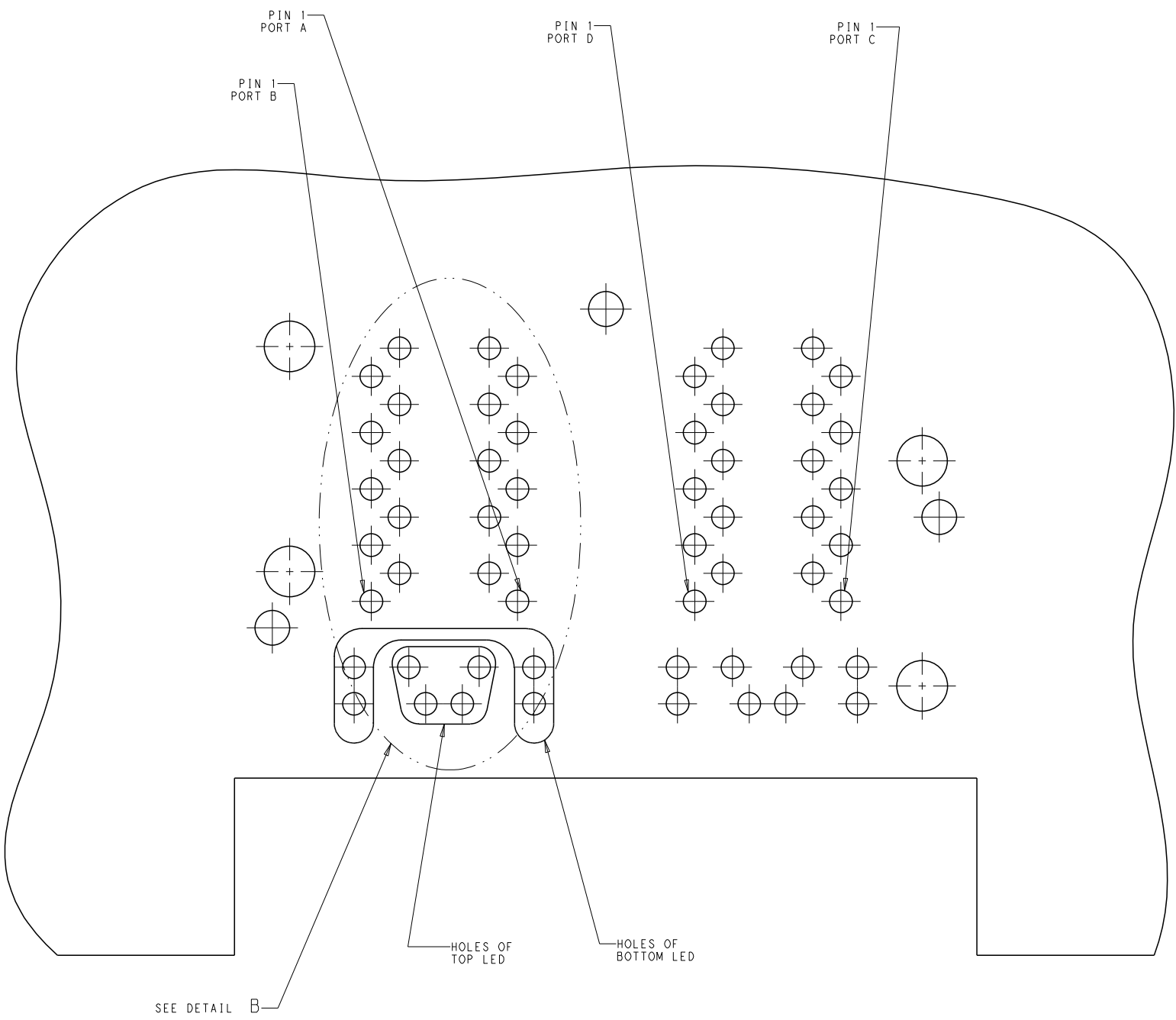


PIN 0#. BOTTOM LED'S PIN ON MOD JACK AND BOTTOM PCB ARE STUB PINS WITH LENGTH SIMILAR TO PCB STANDOFF HEIGHT PRECAUTIONS SHOULD BE TAKEN IN PCB DESIGN TO GUARD AGAINST SHORTING TRACES TO STUB PINS



ALL THE SIGNAL PIN MUST SOLDER WITH BOTTOM PCB 56 PCS

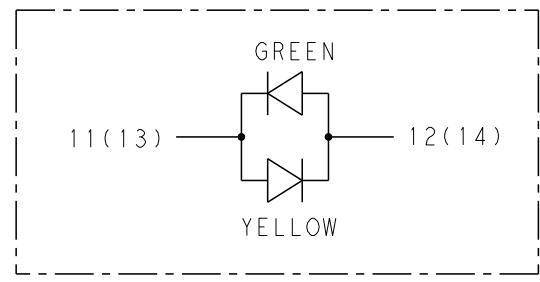
THIS DRAWING IS A CONTROLLED DOCUMENT.		DWN: RICHARD QIAN 21DEC2009 CHK: FRANK LIU 21DEC2009 APVD: LI JUN RAO 21DEC2009	TRP connector Dongguan China
DIMENSIONS: mm	TOLERANCES UNLESS OTHERWISE SPECIFIED: 0 PLC ± 1 PLC ±0.25 2 PLC ± 3 PLC ± 4 PLC ± ANGLES ± FINISH	PRODUCT SPEC: 108-104004 APPLICATION SPEC:	NAME: 2X2 MAG45(TM) MODULAR JACK, OFFSET S8G56 GIGABIT CIRCUIT, W/ LED'S SIZE: A1 CAGE CODE: C=1840922 DRAWING NO: 1840922
MATERIAL:	FINISH:	WEIGHT:	SCALE: 5:1
CUSTOMER DRAWING		RESTRICTED TO:	SHEET 3 OF 4 REV E



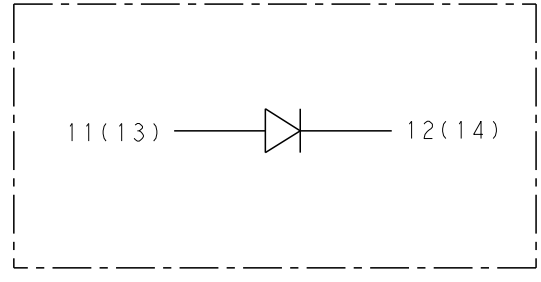
DETAIL B
SCALE 8:1

LED HOLE DESIGNATIONS VIEWED FROM COMPONENT SIDE

BI-COLOR-LED



SINGLE-COLOR-LED



THIS DRAWING IS A CONTROLLED DOCUMENT.		DWN: RICHARD QIAN 21DEC2009 CHK: FRANK LIU 21DEC2009 APVD: LI JUN RAO 21DEC2009	TRP connector Dongguan China
DIMENSIONS: mm	TOLERANCES UNLESS OTHERWISE SPECIFIED: 0 PLC ± 1 PLC ± 2 PLC ±0.25 3 PLC ± 4 PLC ± ANGLES ± FINISH	PRODUCT SPEC 108-104004 APPLICATION SPEC	NAME: 2X2 MAG45(TM) MODULAR JACK, OFFSET S8G56 GIGABIT CIRCUIT, W/ LED'S SIZE: A1 CAGE CODE: - DRAWING NO: 1840922 RESTRICTED TO: -
MATERIAL:	FINISH:	WEIGHT:	SCALE: 8:1 SHEET 4 OF 4 REV E
CUSTOMER DRAWING			