

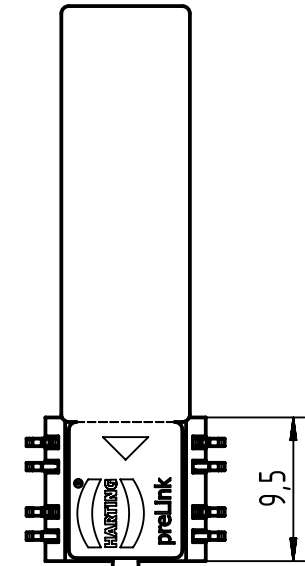
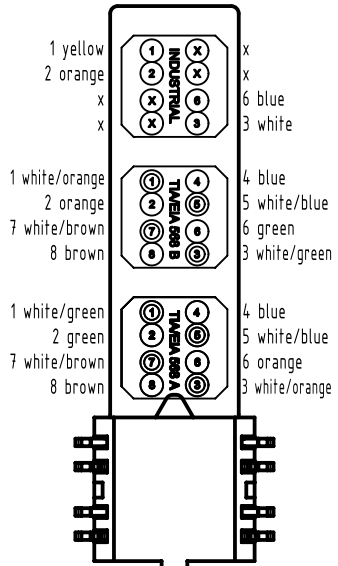
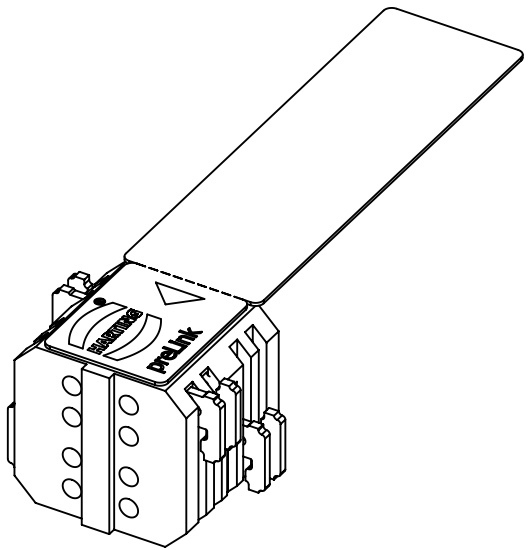
1 2 3 4 5 6

A

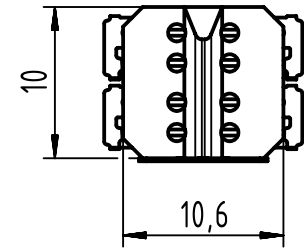
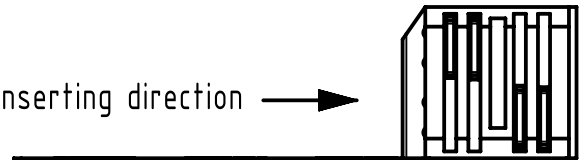
B

C

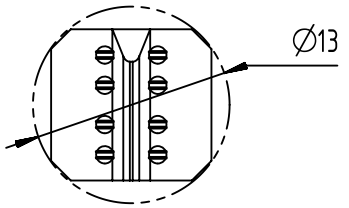
D



Wire inserting direction →



preLink® Terminal can go through  $\varnothing 13$ mm holes.



for wire gauge AWG 26-27

	All rights reserved Department EL PD	All Dimensions in mm Original Size DIN A4		Scale 2:1	Free size tol.		Ref.		
		Created by POPESCUD		Inspected by PRIESTER	Standardisation HOFFMANN	Date 2018-09-10	State Final Release		
HARTING Electronics GmbH D-32339 Espelkamp		Title preLink Terminal mod AWG26/27 white 1-10					Doc-Key / ECM-Nr. 100195283/UGD/004/E 500000139807		
		Type TB	Number 20820000003			Rev. E	Page 1/1		