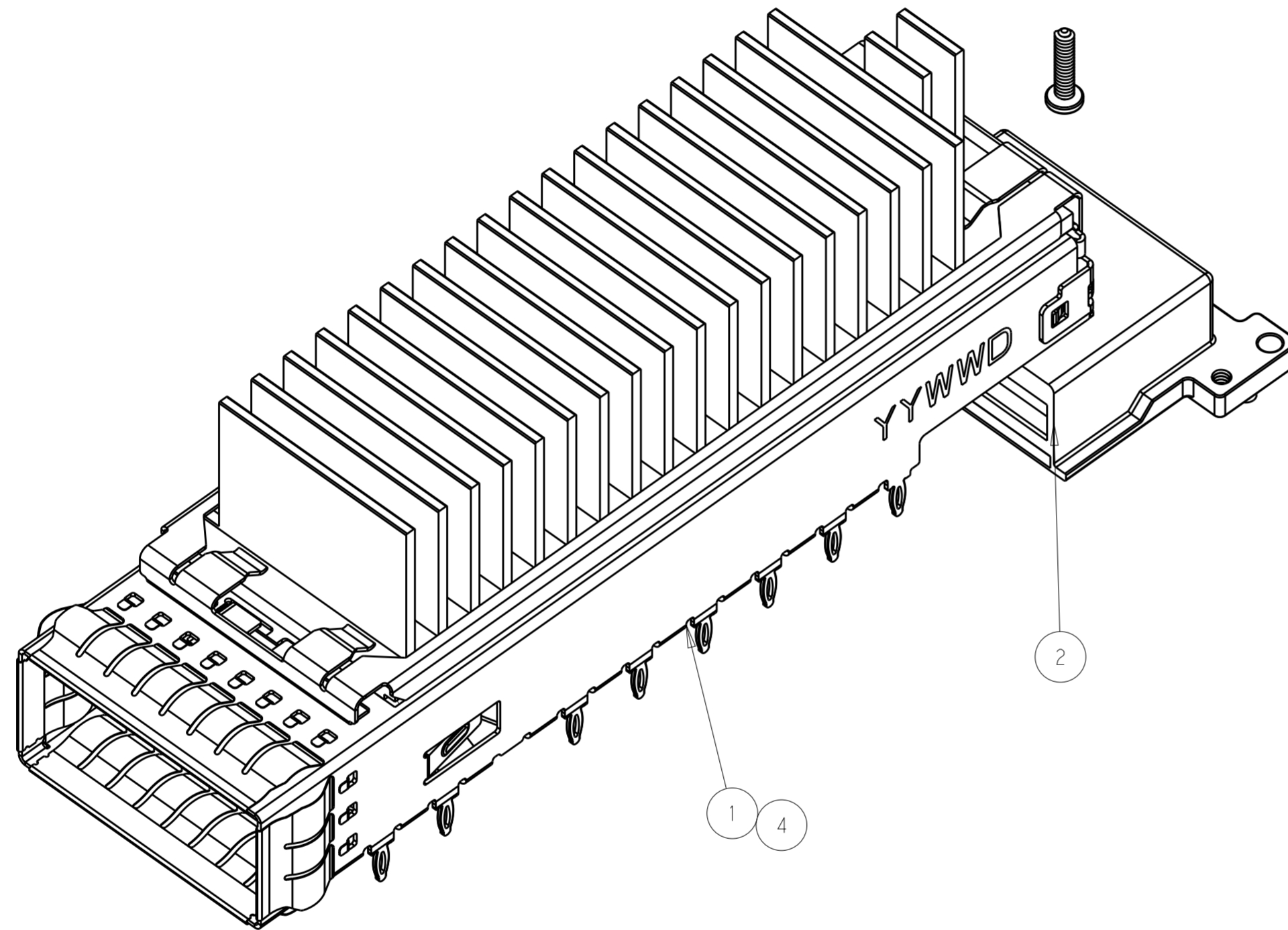


THIS DRAWING IS UNPUBLISHED. RELEASED FOR PUBLICATION 20  
 © COPYRIGHT 20 BY - ALL RIGHTS RESERVED.

REVISIONS					
P	LTR	DESCRIPTION	DATE	DWN	APVD
1		PRELIMINARY DRAWING	16JUN2015	AD	SH
2		ADD NEW DASH NUMBER	19JUN2015	AD	SH
4		REVISE BOM	25JUN2015	AD	SH
8		ADDED DASH NUMBER 2288226-4	06FEB2017	TX	SH



- 1. MATERIAL : CAGE :0.3MM THICK NICKEL SILVER ALLOY;  
EMI SPRING: COPPER ALLOY;  
HEAT SINK CLIP: STAINLESS STEEL;  
HEAT SINK:ALUMINUM ALLOY;  
RECEPTACLE COVER:ZINC ALLOY;
- 2. FINISH: EMI SPRING -1.27um NICKEL PALTING OVER ALL;  
HEAT SINK:BLACK ANODIZED COATING;  
RECEPTACLE COVER: 1.27um MIN NICKEL PLATING OVER COPPER PLATING;  
HEAT SINK CLIP: PASSIVATE;
- 3.MATES WITH CFP MSA COMPLIANT TRANSCEIVERS.
- 4.DATUM AND BASIC DIMENSION ESTABLISHED BY CUSTOMER.
- 5.MINIMUM PC BOARD THICKNESS: SIGLE SIDE APPLICATIONS=2.99±0.63mm.
- 6.PADS AND VIAS CHASSIS GROUND;
- 7: REFFERENCE APPLICATION SPEC 114-XXXX,HOLE A, FOR RECOMMENDED DRILL HOLE DIAMETER AND PLATING THICKNESS.

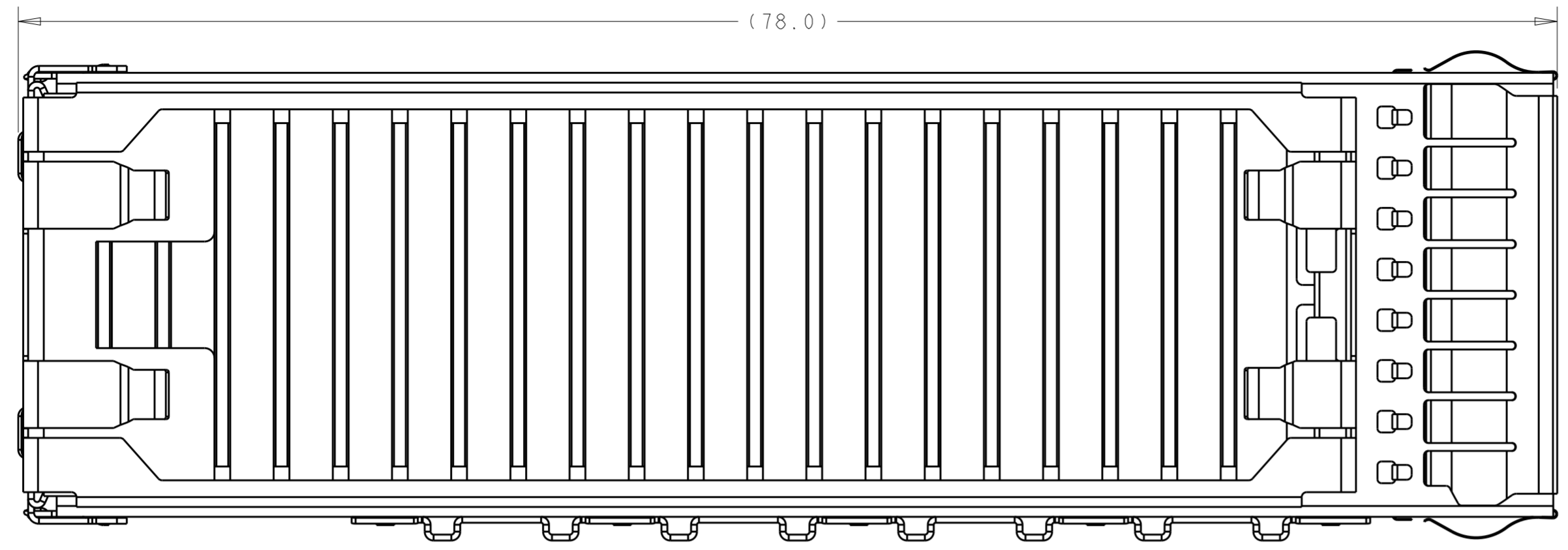
THIS PRINT IS  
**PRELIMINARY**  
 UNQUALIFIED PRODUCT  
 CONTACT PRODUCT ENGINEERING  
 BEFORE USING THIS PRINT

1	-	-	-	2293289-6		
-	1	-	-	2293289-5	CAGE ASSEMBLY WITH HS,CFP4 1X1	4
-	-	1	-	2293289-2		
2	2	2	2	2292789-1	SCREW	3
1	1	1	1	2288228-1	RECEPTACLE COVER ASSEMBLY	2
-	-	-	1	2293289-1	CAGE ASSEMBLY WITH HS,CFP4 1X1	1
-4	-3	-2	-1	PAR NUMBER	DESCRIPTION	ITEM

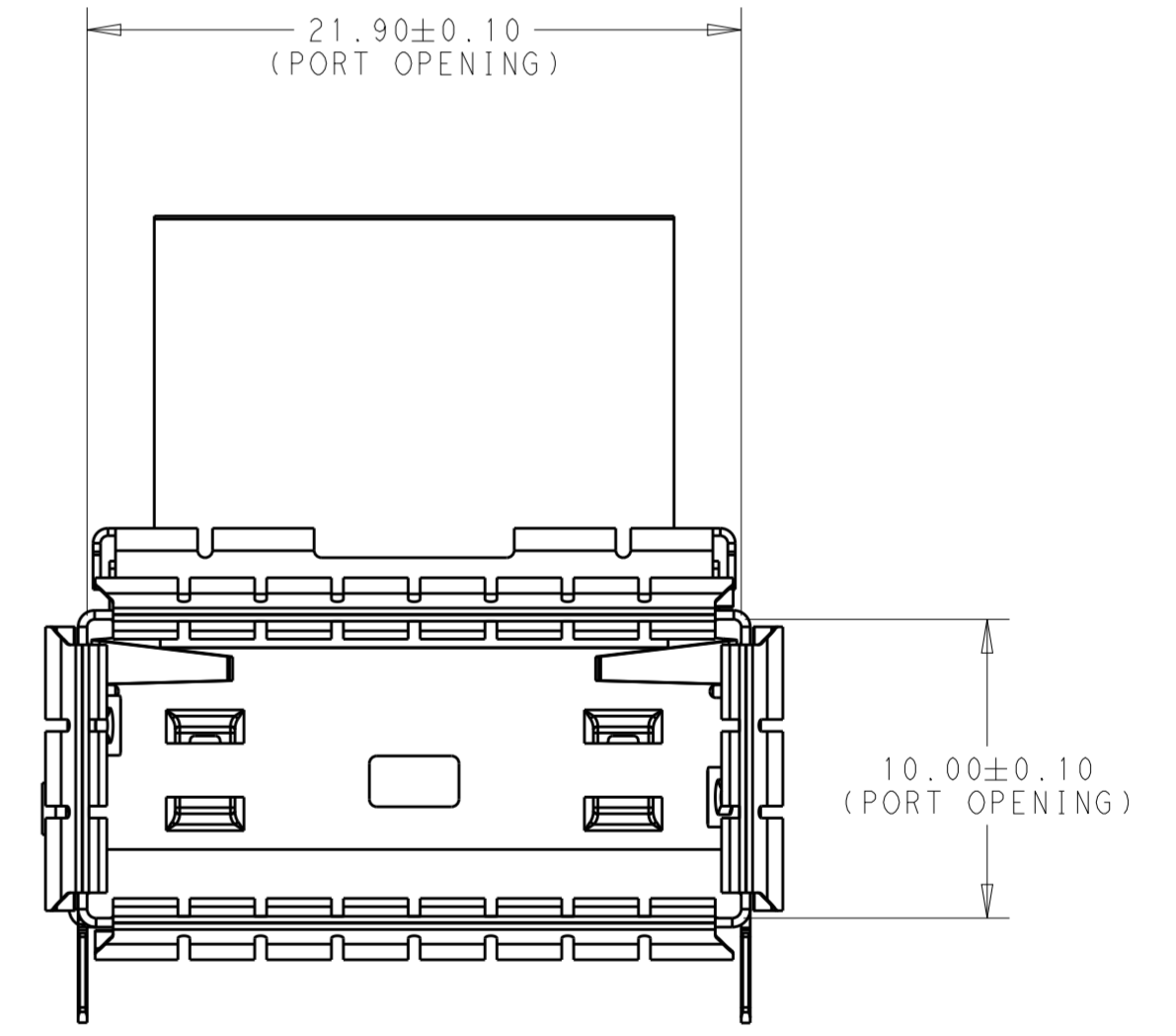
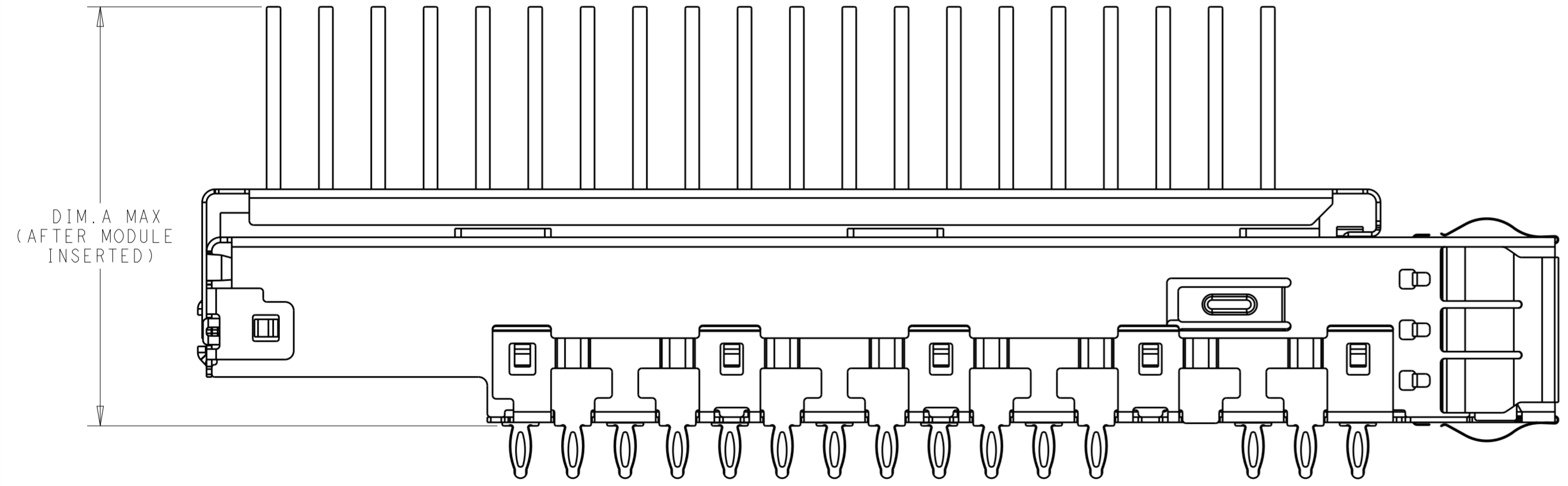
THIS DRAWING IS A CONTROLLED DOCUMENT.		DWN ANDY.XIE 12JUN2015	<b>STE</b> TE Connectivity		
		CHK SEAN.HAN 12JUN2015			
DIMENSIONS: mm		APVD SEAN.HAN 12JUN2015	NAME HARD WARE KIT FOR CFP4 1X1 PRESS FIT (CAGE, HS, HS CLIP, COVER, SCREW)		
TOLERANCES UNLESS OTHERWISE SPECIFIED: 0 PLC ± 1 PLC ±0.25 2 PLC ±0.13 3 PLC ±0.10 4 PLC ± ANGLES ± FINISH		PRODUCT SPEC - APPLICATION SPEC -	SIZE A2	CAGE CODE -	DRAWING NO G-2288226
MATERIAL		WEIGHT -	SCALE 1:1	SHEET 1 OF 7	REV 8
CUSTOMER DRAWING					

THIS DRAWING IS UNPUBLISHED. RELEASED FOR PUBLICATION 20  
 © COPYRIGHT 20 BY - ALL RIGHTS RESERVED.

REVISIONS				
P	LTR	DESCRIPTION	DATE	APVD
-		SEE SHEET 1	-	-



THIS PRINT IS  
**PRELIMINARY**  
 UNQUALIFIED PRODUCT  
 CONTACT PRODUCT ENGINEERING  
 BEFORE USING THIS PRINT

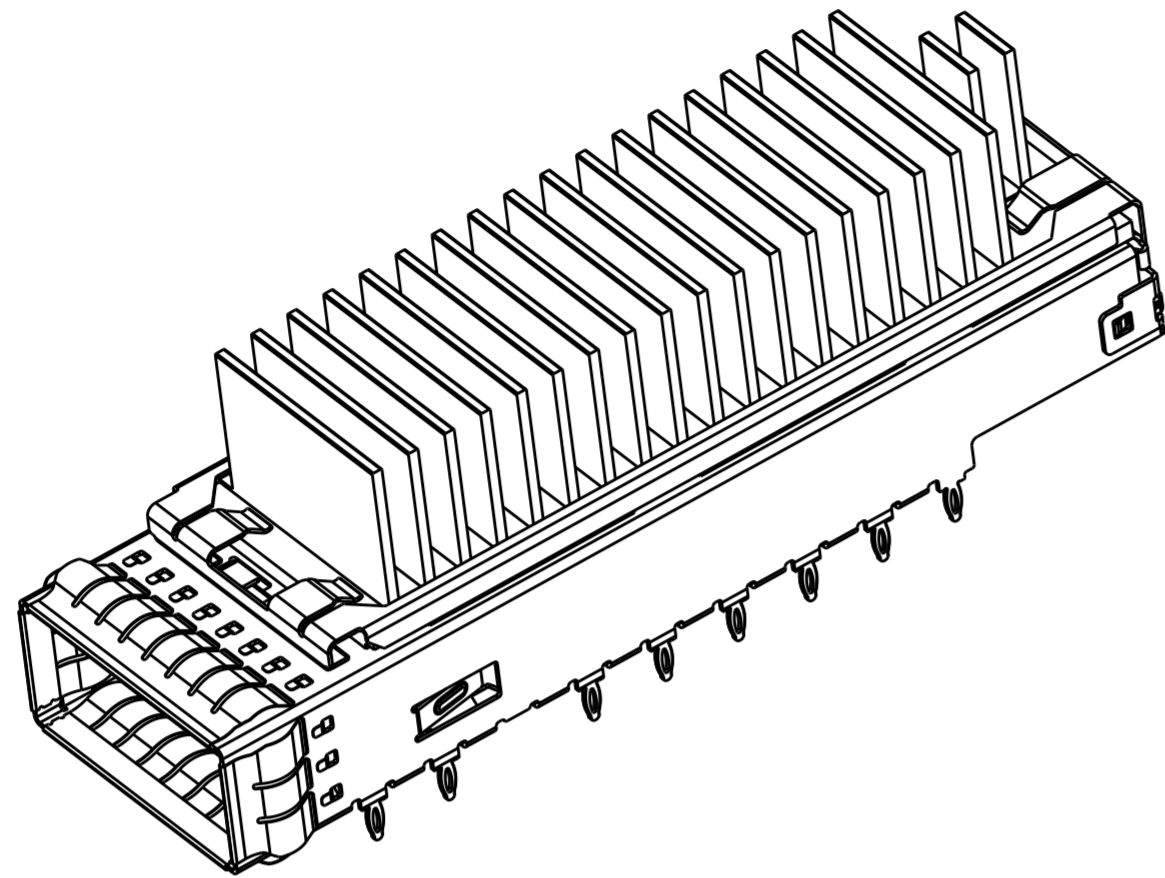


18.5MAX	2293289-6
18.5MAX	2293289-5
25MAX	2293289-2
25MAX	2293289-1
DIM. A	PART NUMBER

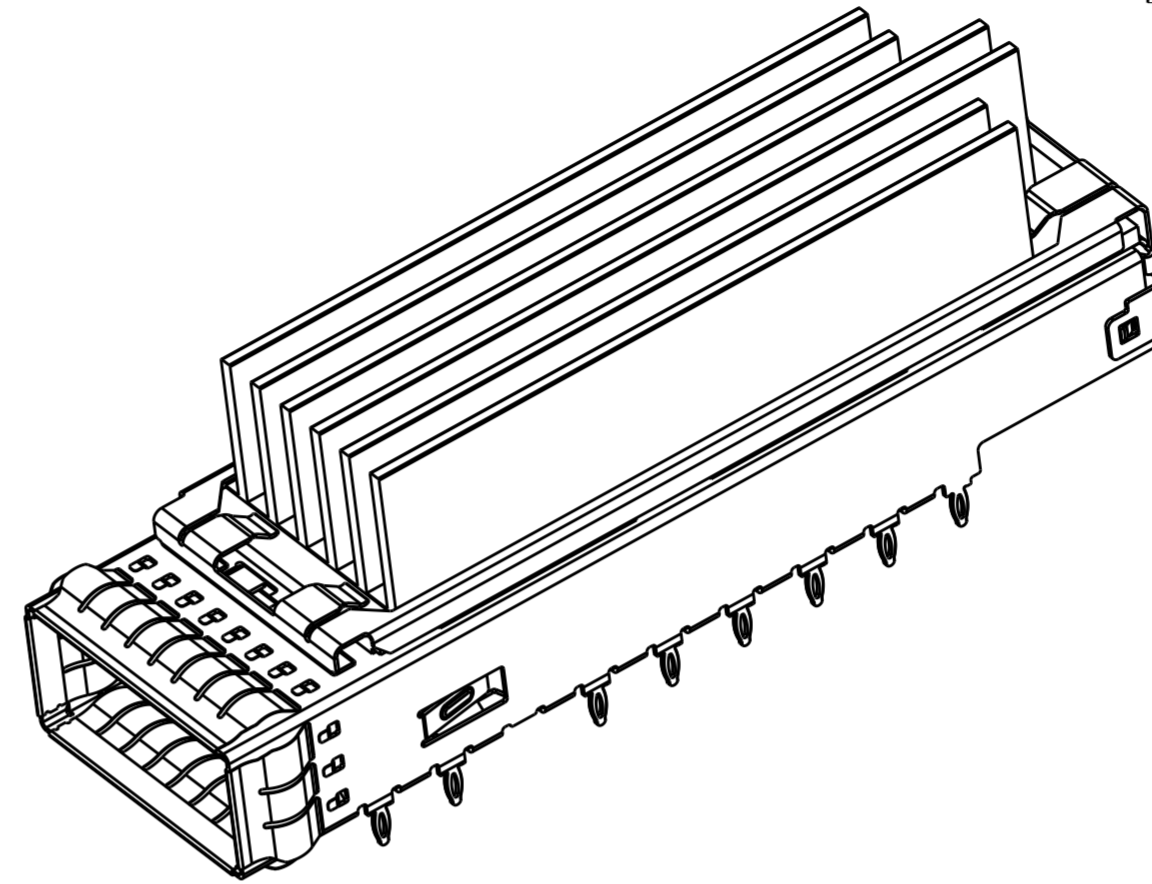
THIS DRAWING IS A CONTROLLED DOCUMENT.		DWN ANDY.XIE 12JUN2015	TE Connectivity		
DIMENSIONS:		CHK SEAN.HAN 12JUN2015			
TOLERANCES UNLESS OTHERWISE SPECIFIED:		APVD SEAN.HAN 12JUN2015			
mm		PRODUCT SPEC			
0 PLC ± 1 PLC ±0.25 2 PLC ±0.13 3 PLC ±0.10 4 PLC ± ANGLES ± FINISH ±		APPLICATION SPEC	NAME HARD WARE KIT FOR CFP4 1X1 PRESS FIT (CAGE, HS, HS CLIP, COVER, SCREW)		
MATERIAL		WEIGHT	SIZE A2	CAGE CODE -	DRAWING NO. C-2288226
-		-	RESTRICTED TO -		SCALE 1:1
CUSTOMER DRAWING			SHEET 2	OF 7	REV 8

THIS DRAWING IS UNPUBLISHED. RELEASED FOR PUBLICATION 20  
 © COPYRIGHT 20 BY - ALL RIGHTS RESERVED.

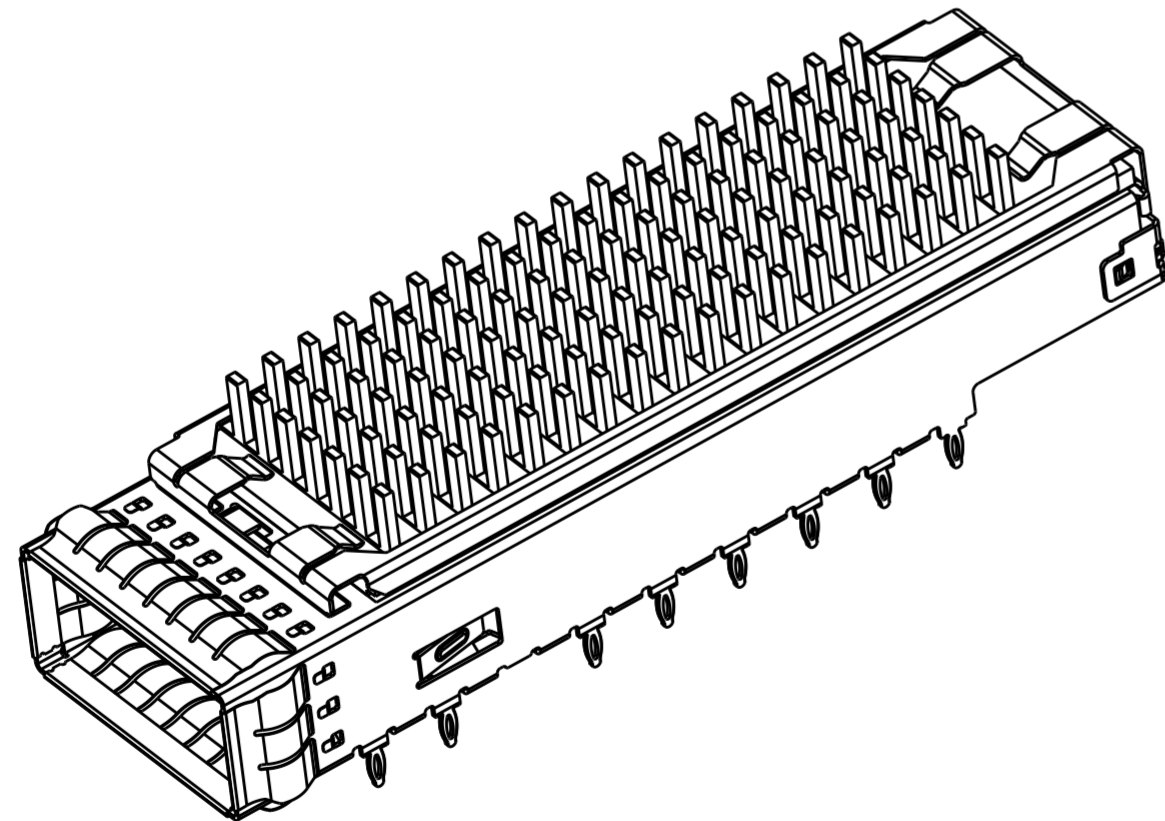
REVISIONS				
P	LTR	DESCRIPTION	DATE	APVD
-		SEE SHEET 1	-	-



2293289-1  
 2293289-6  
 SCALE 2:1


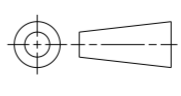


2293289-2  
 SCALE 2:1



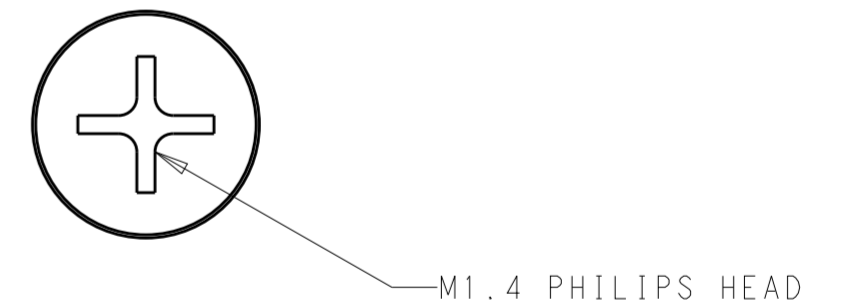
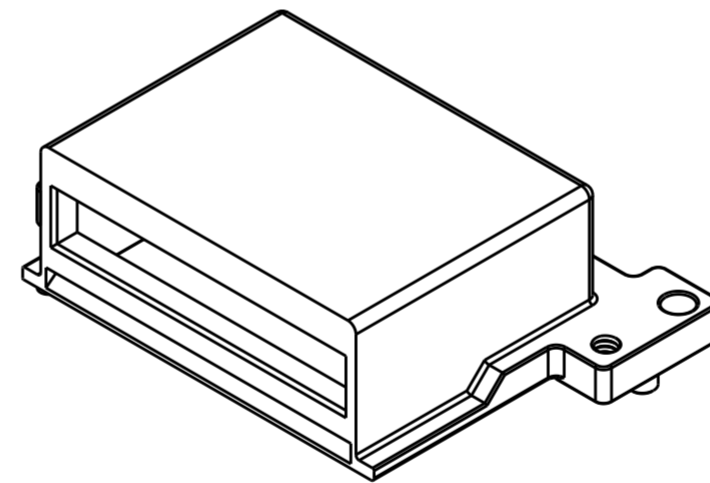
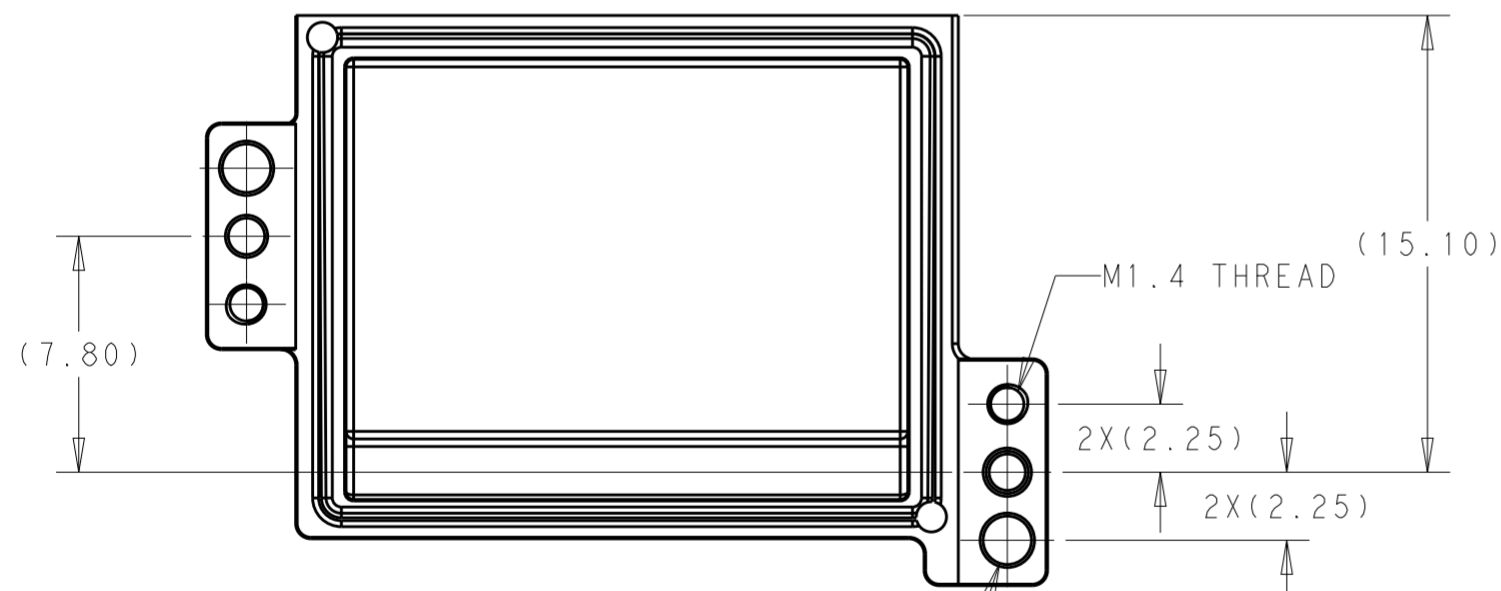
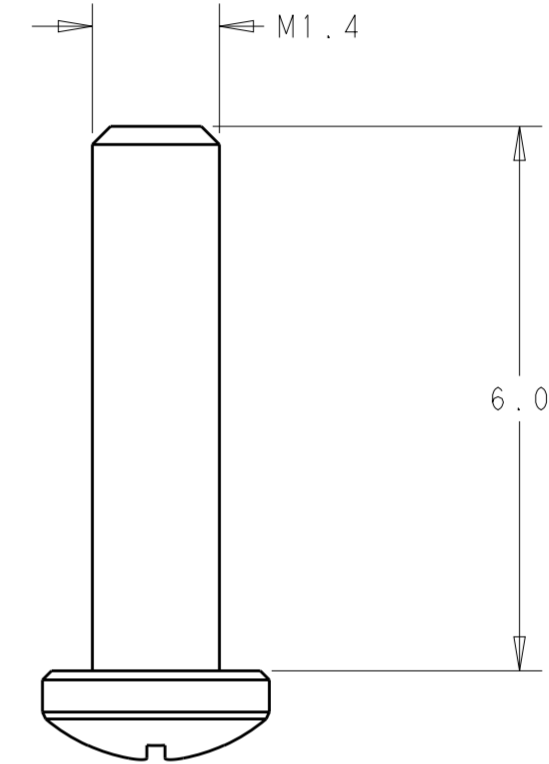
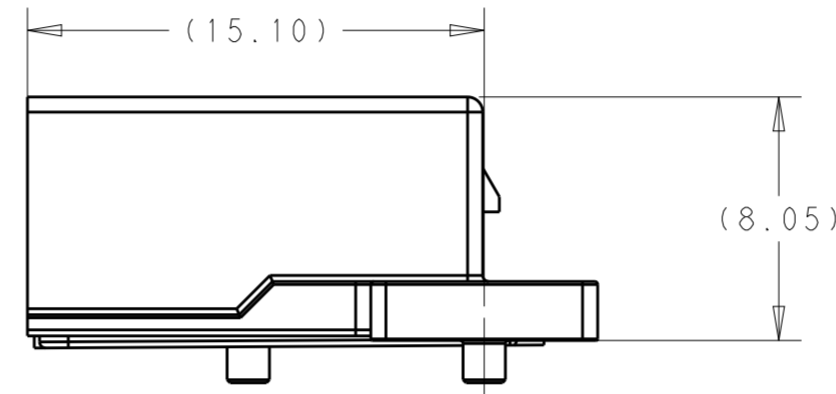
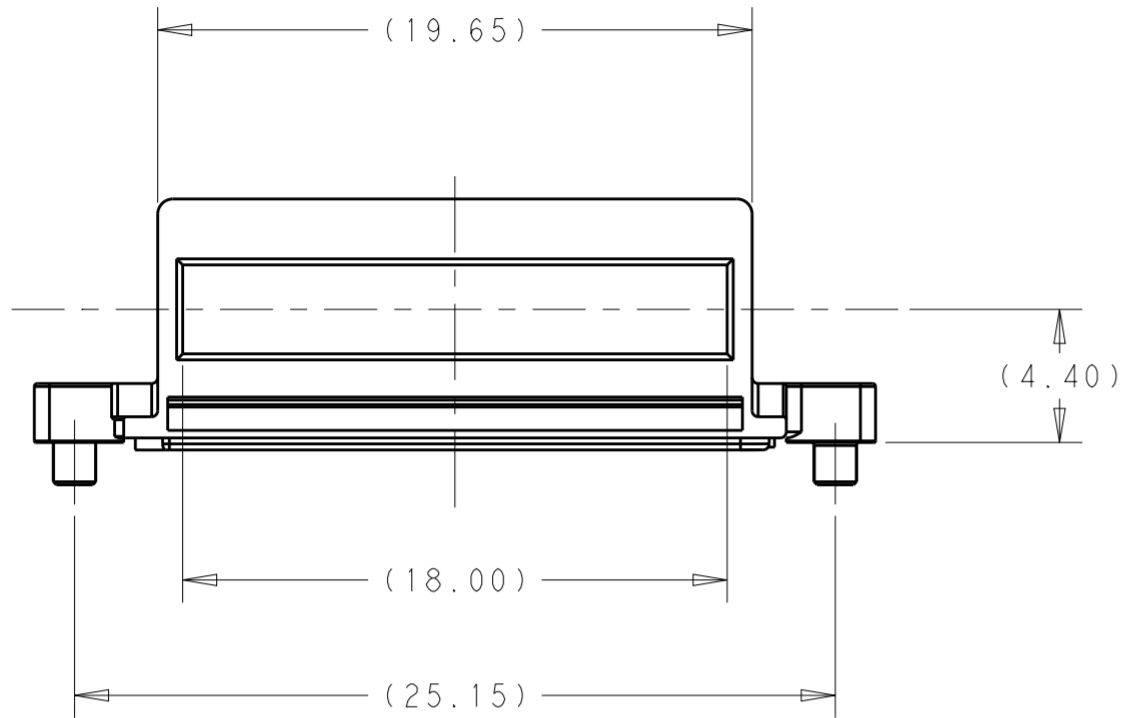
2293289-5  
 SCALE 2:1

THIS PRINT IS  
**PRELIMINARY**  
 UNQUALIFIED PRODUCT  
 CONTACT PRODUCT ENGINEERING  
 BEFORE USING THIS PRINT

THIS DRAWING IS A CONTROLLED DOCUMENT.		DWN ANDY.XIE 12JUN2015	 TE Connectivity			
		CHK SEAN.HAN 12JUN2015				
		APVD SEAN.HAN 12JUN2015				
		PRODUCT SPEC				
DIMENSIONS: mm 		APPLICATION SPEC	NAME HARD WARE KIT FOR CFP4 1X1 PRESS FIT (CAGE, HS, HS CLIP, COVER, SCREW)			
TOLERANCES UNLESS OTHERWISE SPECIFIED: 0 PLC ± 1 PLC ±0.25 2 PLC ±0.13 3 PLC ±0.10 4 PLC ± ANGLES ± FINISH ±		WEIGHT	SIZE A2	CAGE CODE -	DRAWING NO G-2288226	RESTRICTED TO -
MATERIAL		CUSTOMER DRAWING	SCALE 1:1	SHEET 3 OF 7	REV 8	

THIS DRAWING IS UNPUBLISHED. RELEASED FOR PUBLICATION 20  
 © COPYRIGHT 20 BY - ALL RIGHTS RESERVED.

REVISIONS				
P	LTR	DESCRIPTION	DATE	APVD
-	-	SEE SHEET 1	-	-



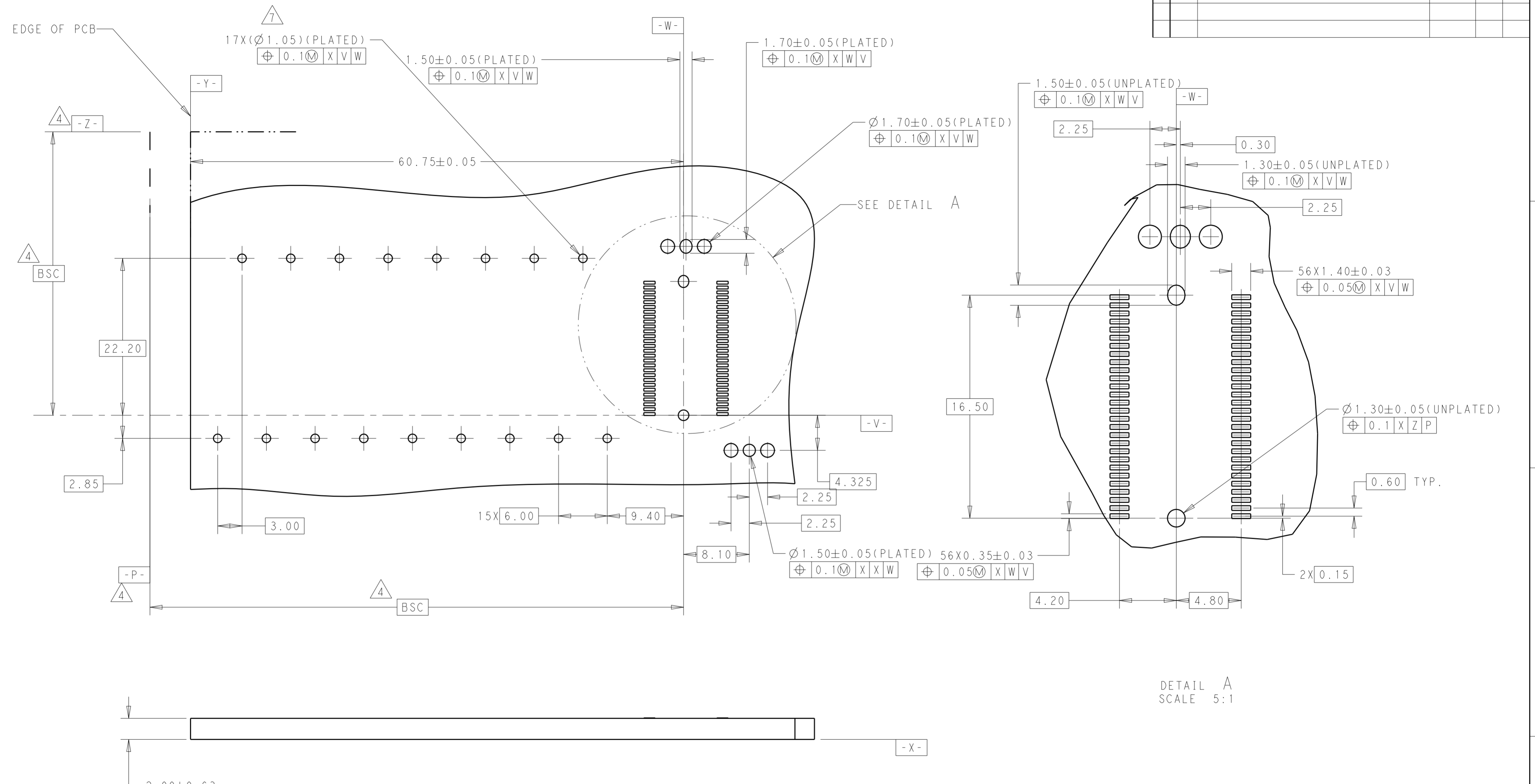
EM120160 ±0.08

THIS PRINT IS  
**PRELIMINARY**  
 UNQUALIFIED PRODUCT  
 CONTACT PRODUCT ENGINEERING  
 BEFORE USING THIS PRINT

THIS DRAWING IS A CONTROLLED DOCUMENT.		DWN ANDY.XIE 12JUN2015	TE Connectivity	
DIMENSIONS: mm		CHK SEAN.HAN 12JUN2015		
TOLERANCES UNLESS OTHERWISE SPECIFIED:		APVD SEAN.HAN 12JUN2015	NAME HARD WARE KIT FOR CFP4 1X1 PRESS FIT (CAGE, HS, HS CLIP, COVER, SCREW)	
0 PLC ± 1 PLC ±0.25 2 PLC ±0.13 3 PLC ±0.10 4 PLC ± ANGLES ± FINISH ±		PRODUCT SPEC -	SIZE A2	CAGE CODE -
MATERIAL -		APPLICATION SPEC -	DRAWING NO C-2288226	RESTRICTED TO -
		WEIGHT -	SCALE 1:1	SHEET 4 OF 7
		CUSTOMER DRAWING	REV 8	

THIS DRAWING IS UNPUBLISHED. RELEASED FOR PUBLICATION 20  
 © COPYRIGHT 20 BY - ALL RIGHTS RESERVED.

REVISIONS				
P	LTR	DESCRIPTION	DATE	APVD
-	-	SEE SHEET 1	-	-

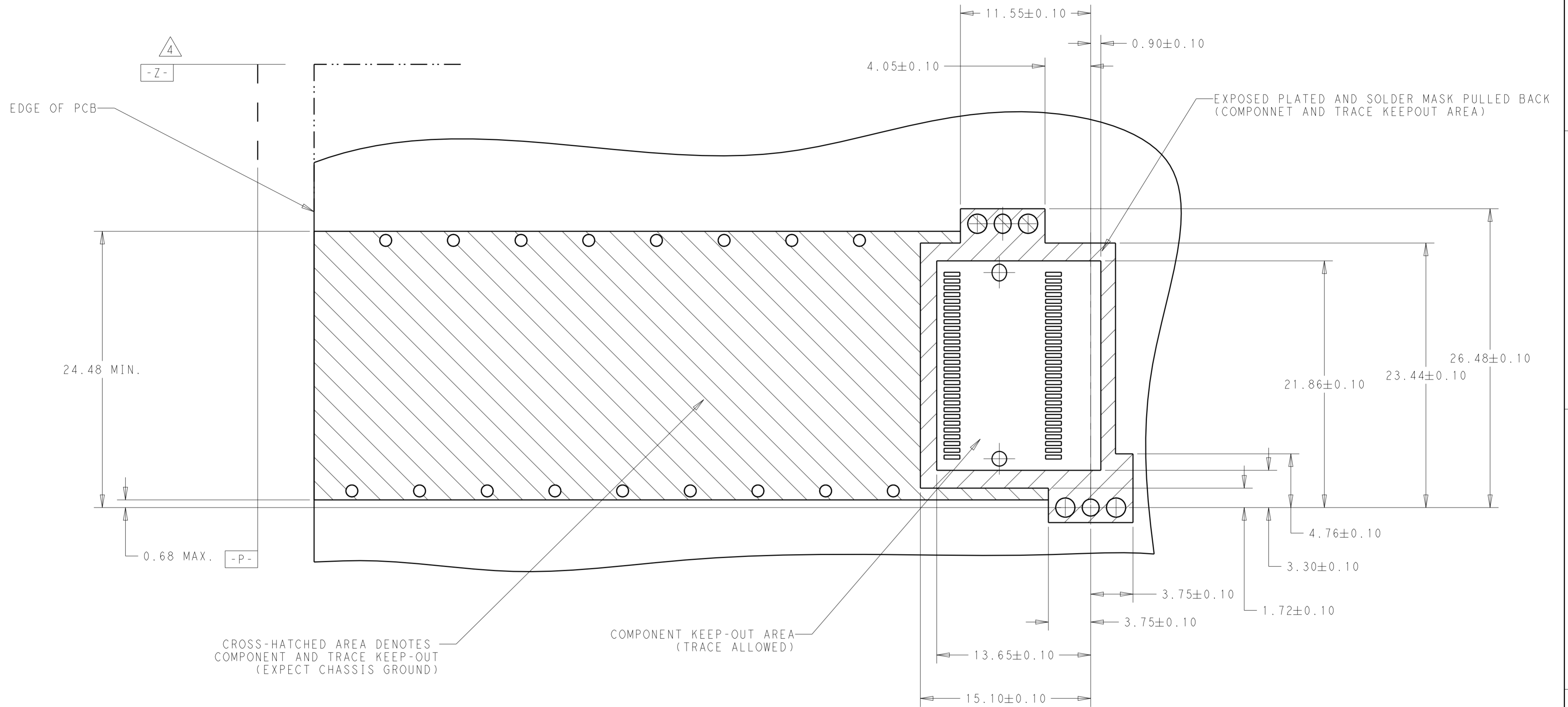


THIS PRINT IS  
**PRELIMINARY**  
 UNQUALIFIED PRODUCT  
 CONTACT PRODUCT ENGINEERING  
 BEFORE USING THIS PRINT

THIS DRAWING IS A CONTROLLED DOCUMENT.		DWN ANDY.XIE 12JUN2015	TE Connectivity	
DIMENSIONS: mm		CHK SEAN.HAN 12JUN2015		
TOLERANCES UNLESS OTHERWISE SPECIFIED:		APVD SEAN.HAN 12JUN2015	NAME HARD WARE KIT FOR CFP4 1X1 PRESS FIT (CAGE, HS, HS CLIP, COVER, SCREW)	
0 PLC $\pm$ 1 PLC $\pm 0.25$ 2 PLC $\pm 0.13$ 3 PLC $\pm 0.10$ 4 PLC $\pm$ ANGLES $\pm$ FINISH		PRODUCT SPEC -	SIZE A2	CAGE CODE -
MATERIAL -		APPLICATION SPEC -	DRAWING NO. C-2288226	RESTRICTED TO -
CUSTOMER DRAWING		WEIGHT -	SCALE 1:1	SHEET 5 OF 7
				REV 8

THIS DRAWING IS UNPUBLISHED. RELEASED FOR PUBLICATION 20  
 © COPYRIGHT 20 BY - ALL RIGHTS RESERVED.

REVISIONS				
P	LTR	DESCRIPTION	DATE	APVD
-	-	SEE SHEET 1	-	-



CROSS-HATCHED AREA DENOTES COMPONENT AND TRACE KEEP-OUT (EXPECT CHASSIS GROUND)

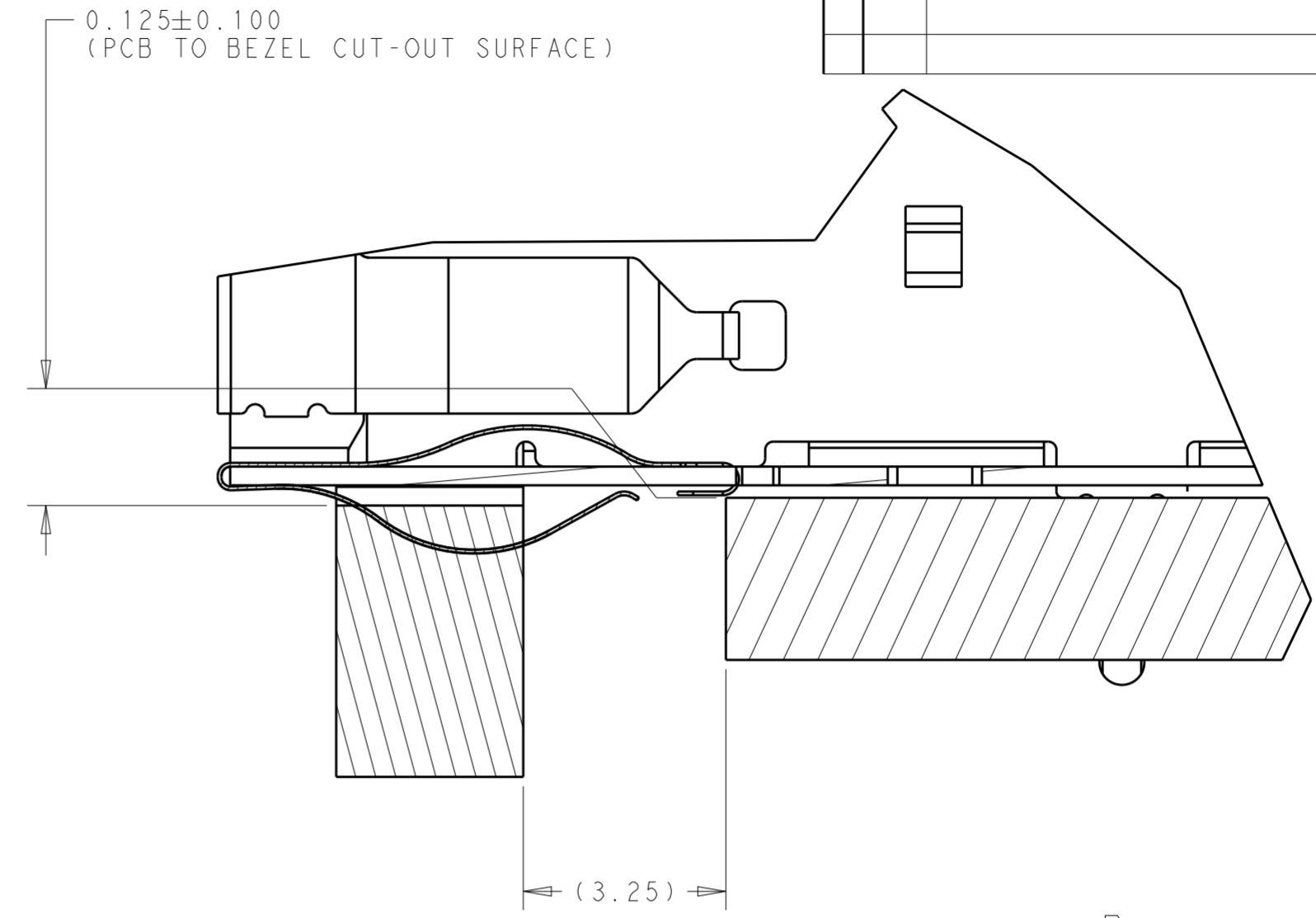
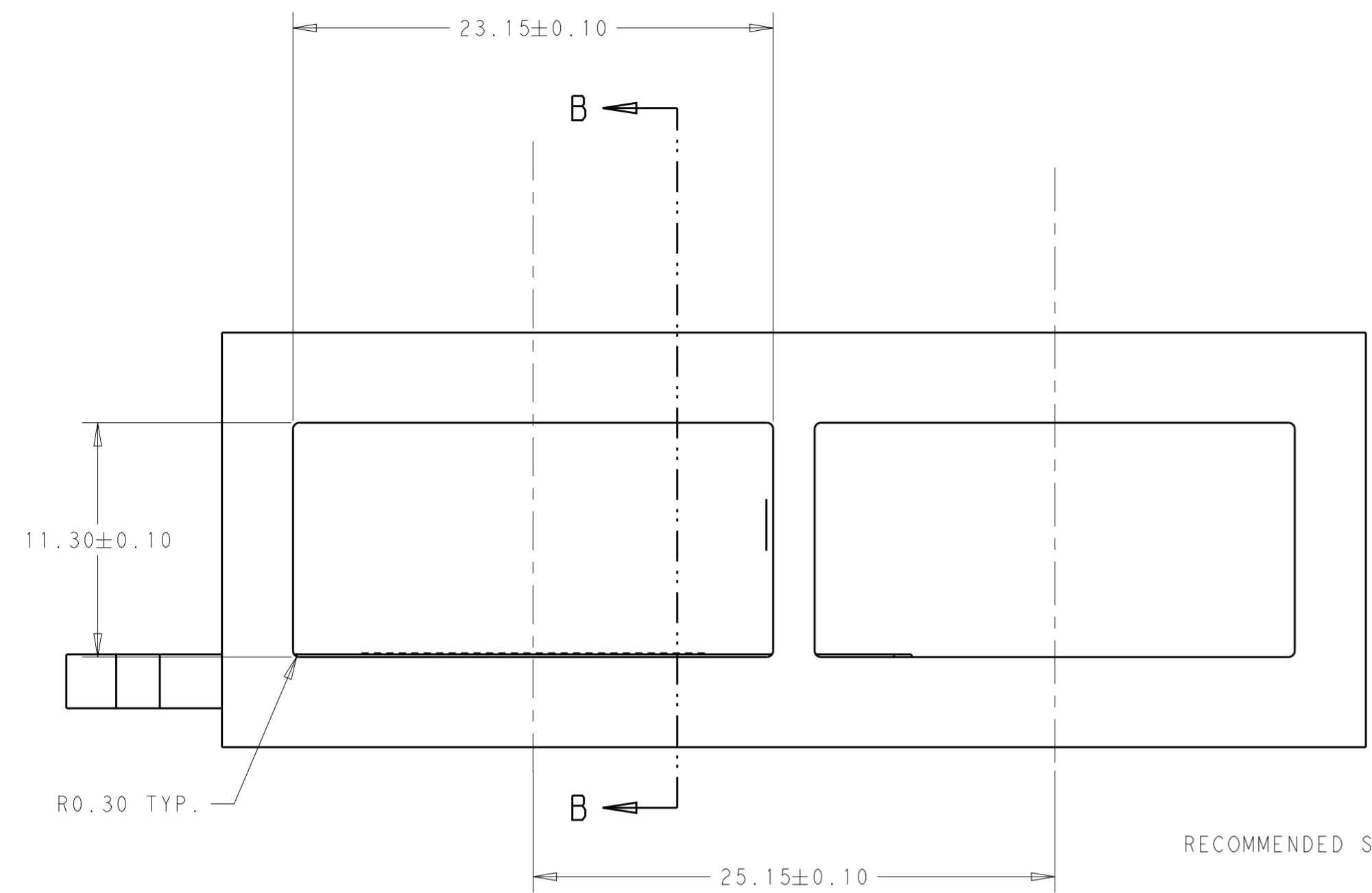
COMPONENT KEEP-OUT AREA (TRACE ALLOWED)

THIS PRINT IS  
**PRELIMINARY**  
 UNQUALIFIED PRODUCT  
 CONTACT PRODUCT ENGINEERING  
 BEFORE USING THIS PRINT

THIS DRAWING IS A CONTROLLED DOCUMENT.		DWN ANDY.XIE 12JUN2015	TE Connectivity	
DIMENSIONS: mm		CHK SEAN.HAN 12JUN2015		
TOLERANCES UNLESS OTHERWISE SPECIFIED:		APVD SEAN.HAN 12JUN2015	NAME HARD WARE KIT FOR CFP4 1X1 PRESS FIT (CAGE, HS, HS CLIP, COVER, SCREW)	
0 PLC ± 1 PLC ±0.25 2 PLC ±0.13 3 PLC ±0.10 4 PLC ±		PRODUCT SPEC -	SIZE A2	CAGE CODE -
MATERIAL -		APPLICATION SPEC -	DRAWING NO. C-2288226	RESTRICTED TO -
ANGLES FINISH		WEIGHT -	SCALE 1:1	SHEET 6 OF 7
CUSTOMER DRAWING		REV 8		

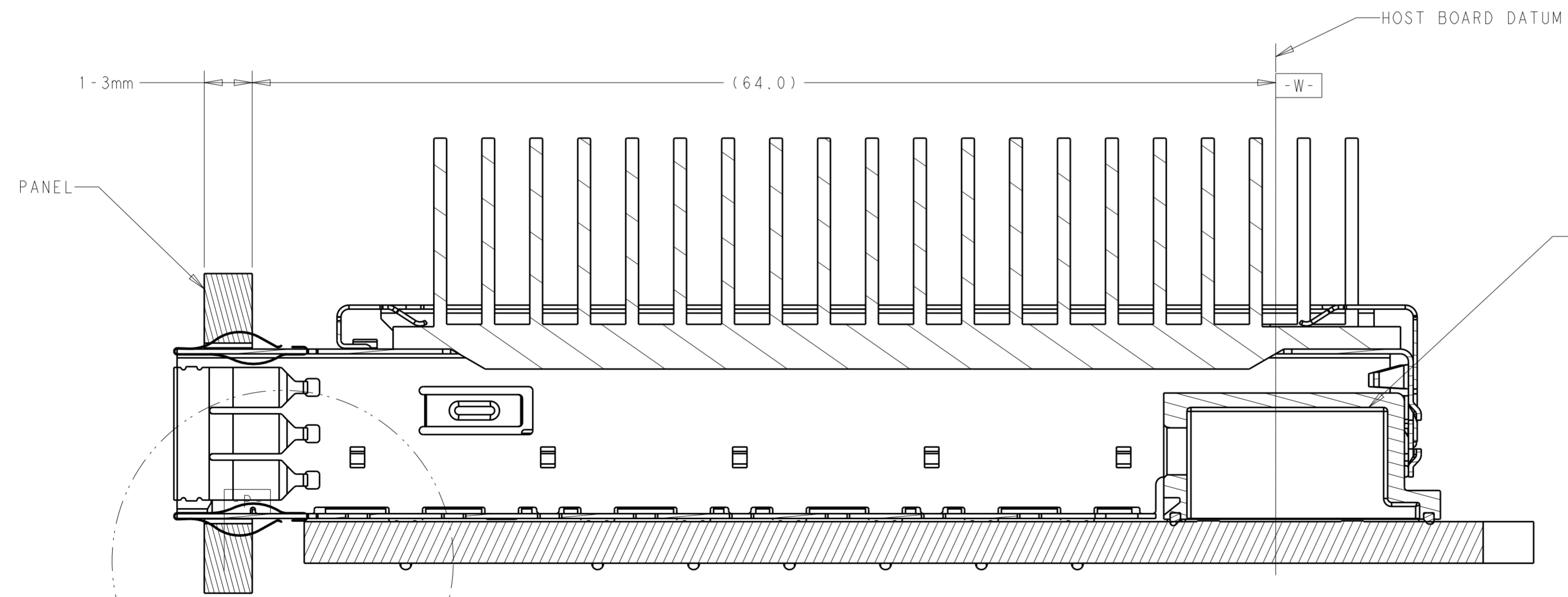
THIS DRAWING IS UNPUBLISHED. RELEASED FOR PUBLICATION 20  
 © COPYRIGHT 20 BY - ALL RIGHTS RESERVED.

REVISIONS				
P	LTR	DESCRIPTION	DATE	APVD
-		SEE SHEET 1	-	-



RECOMMENDED SINGLE SIDE APPLICATION

DETAIL B  
SCALE 10:1



SEE DETAIL B

SECTION B-B  
SCALE 4:1

THIS PRINT IS  
**PRELIMINARY**  
 UNQUALIFIED PRODUCT  
 CONTACT PRODUCT ENGINEERING  
 BEFORE USING THIS PRINT

THIS DRAWING IS A CONTROLLED DOCUMENT.		DWN ANDY.XIE 12JUN2015	<b>STE</b> TE Connectivity			
		CHK SEAN.HAN 12JUN2015				
		APVD SEAN.HAN 12JUN2015	NAME HARD WARE KIT FOR CFP4 1X1 PRESS FIT (CAGE, HS, HS CLIP, COVER, SCREW)			
DIMENSIONS: mm		PRODUCT SPEC	SIZE A2	CAGE CODE -	DRAWING NO. C-2288226	RESTRICTED TO -
TOLERANCES UNLESS OTHERWISE SPECIFIED:		APPLICATION SPEC	SCALE 1:1		SHEET 7 OF 7	REV 8
0 PLC ±		WEIGHT -	CUSTOMER DRAWING			
1 PLC ±0.25						
2 PLC ±0.13						
3 PLC ±0.10						
4 PLC ±						
ANGLES ±						
FINISH						