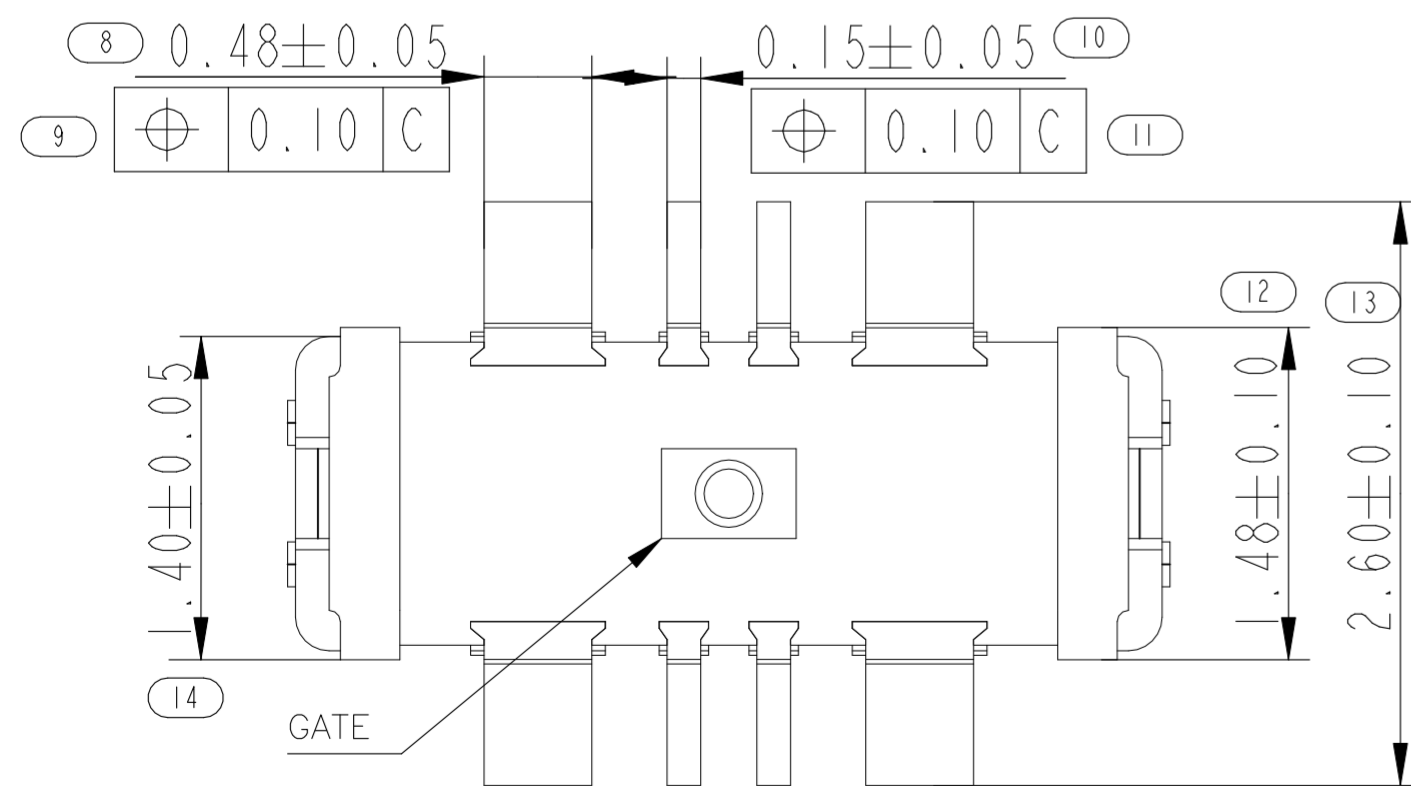
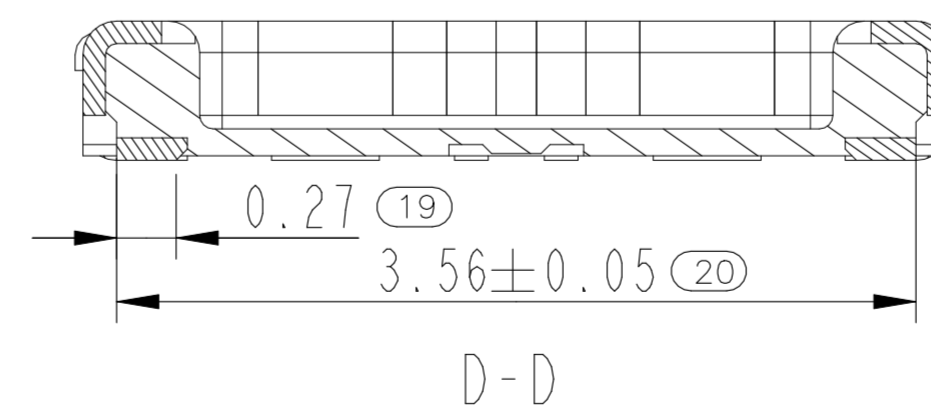
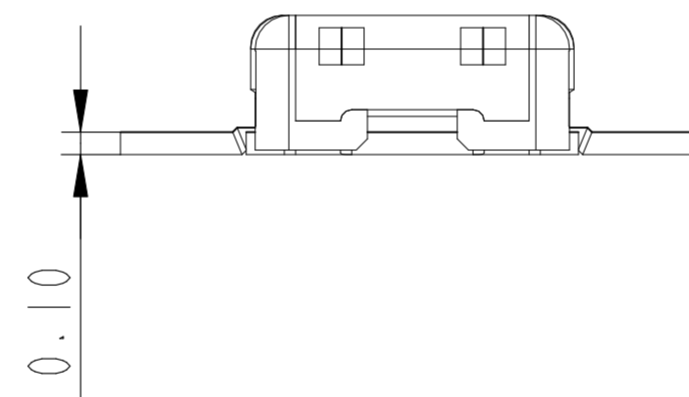
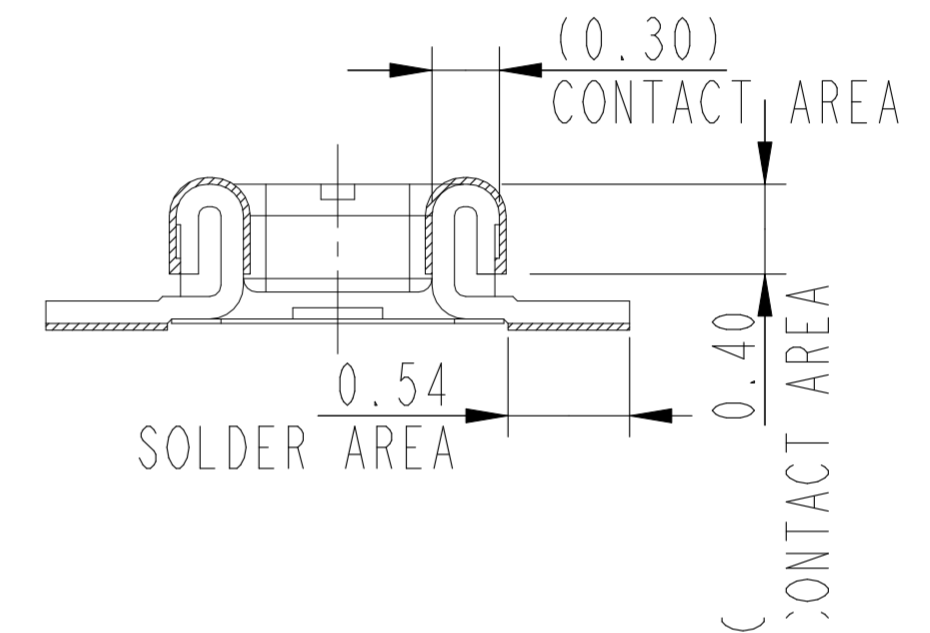
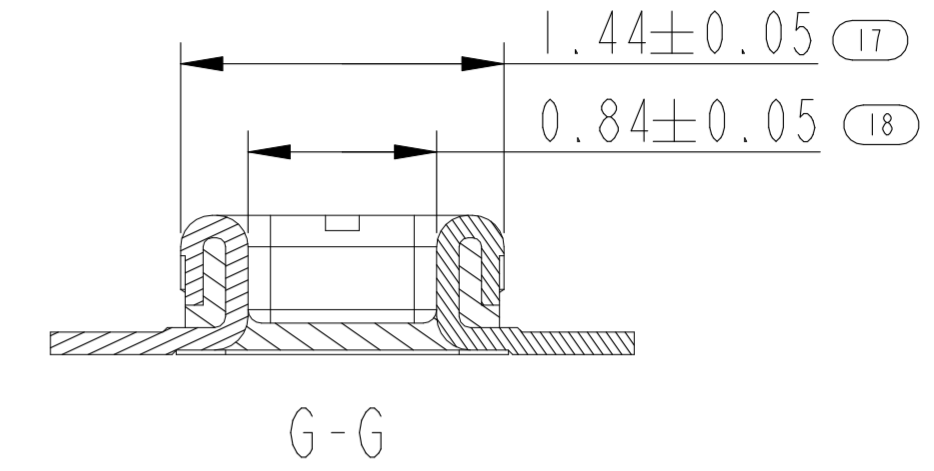
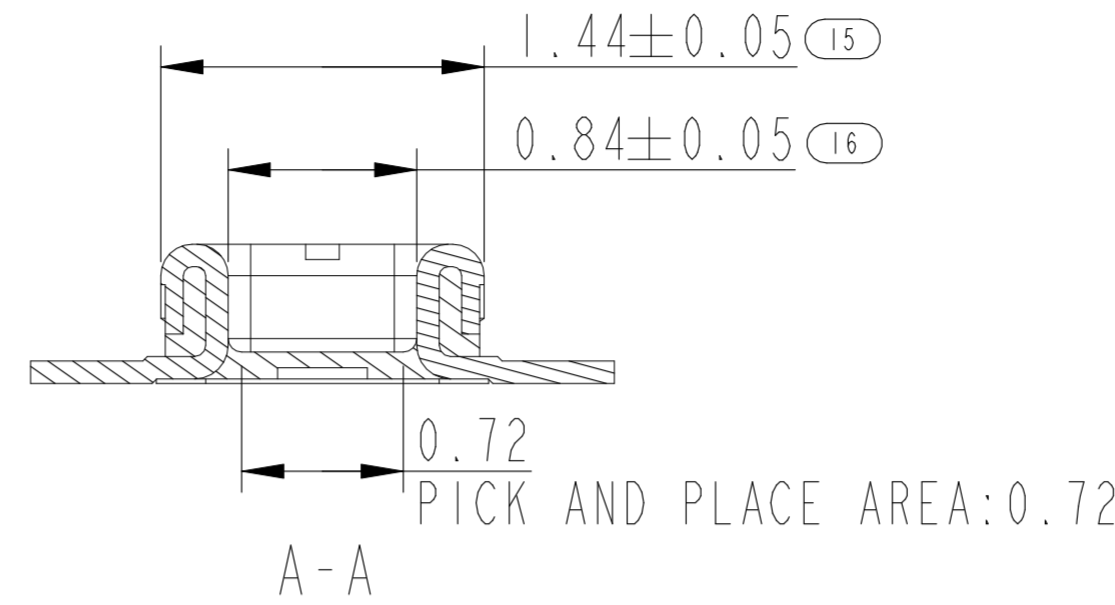
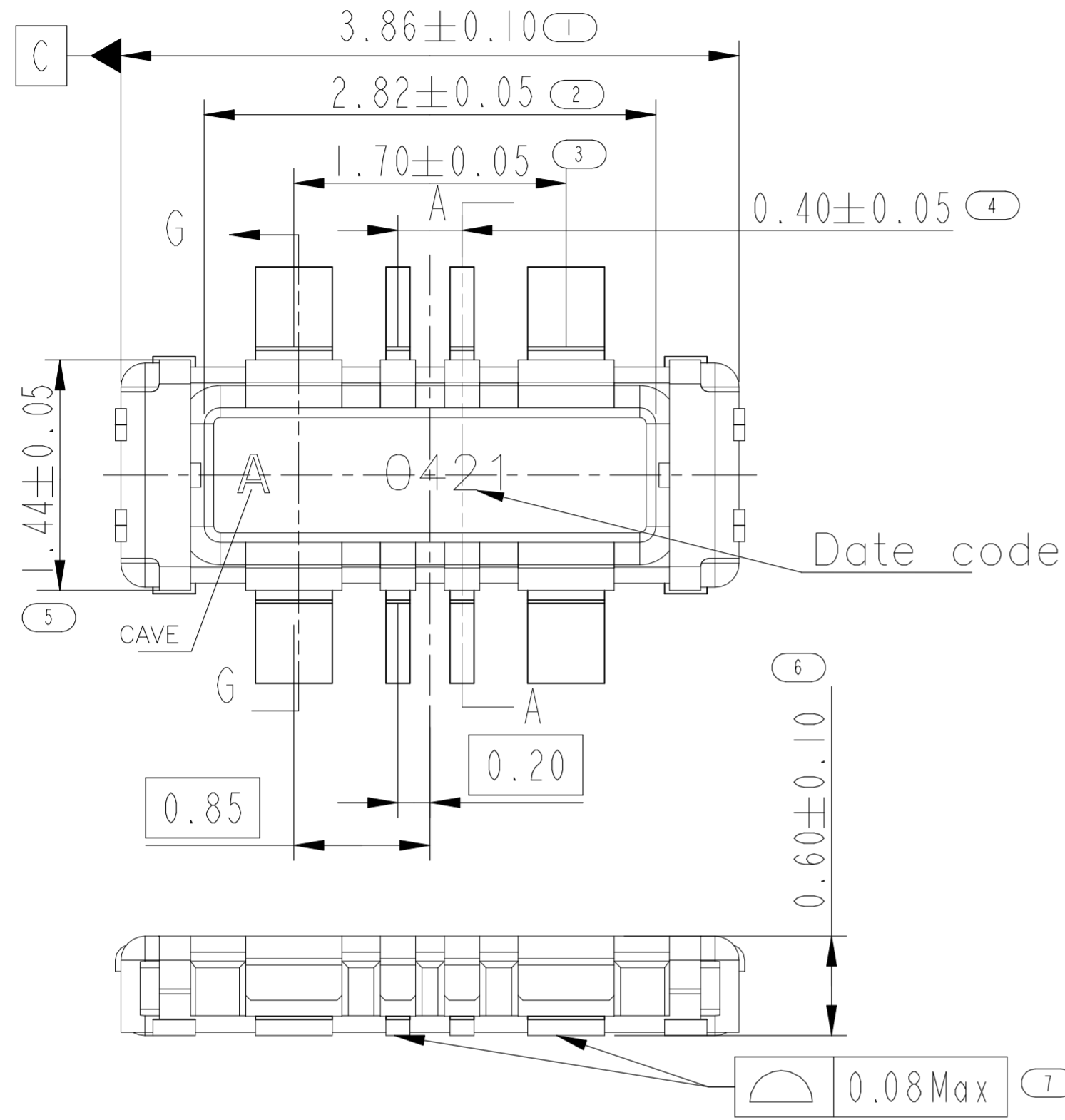


REVISIONS					
P	LTR	DESCRIPTION	DATE	DWN	APVD
A		FIRST RELEASED	13JUL2021	J.J	N.S



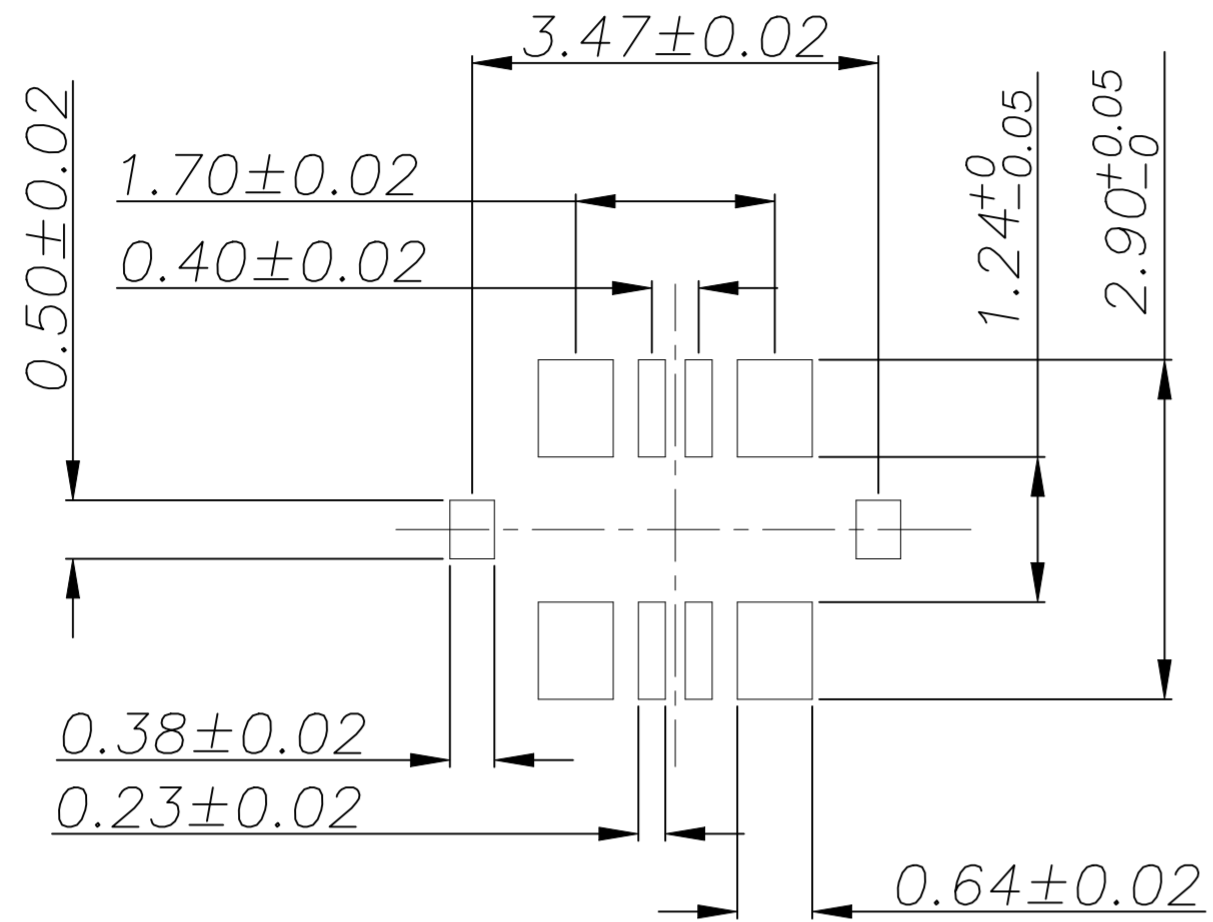
NOTE:

- MATERIAL SPECIFICATION:
 - 1-1.HOUSING :LCP, UL94V-0, BLACK.
 - 1-2.CONTACTS: COPPER ALLOY.
 - 1-3.SHELL: COPPER ALLOY.
- PLATING SPECIFICATION:
 - 2-1.CONTACTS:
 - Ni 80~150u". UNDER PLATED OVER ALL.
 - Au4u"MIN PLATED ON THE FUNCTIONAL AREA OF CONTACT.
 - Au3~8u" PLATED ON SOLDER AREA.
 - 2-2.SHELL:
 - Ni 80~150u". UNDER PLATED OVER ALL.
 - Au3~8u" PLATED ON SOLDER AREA.

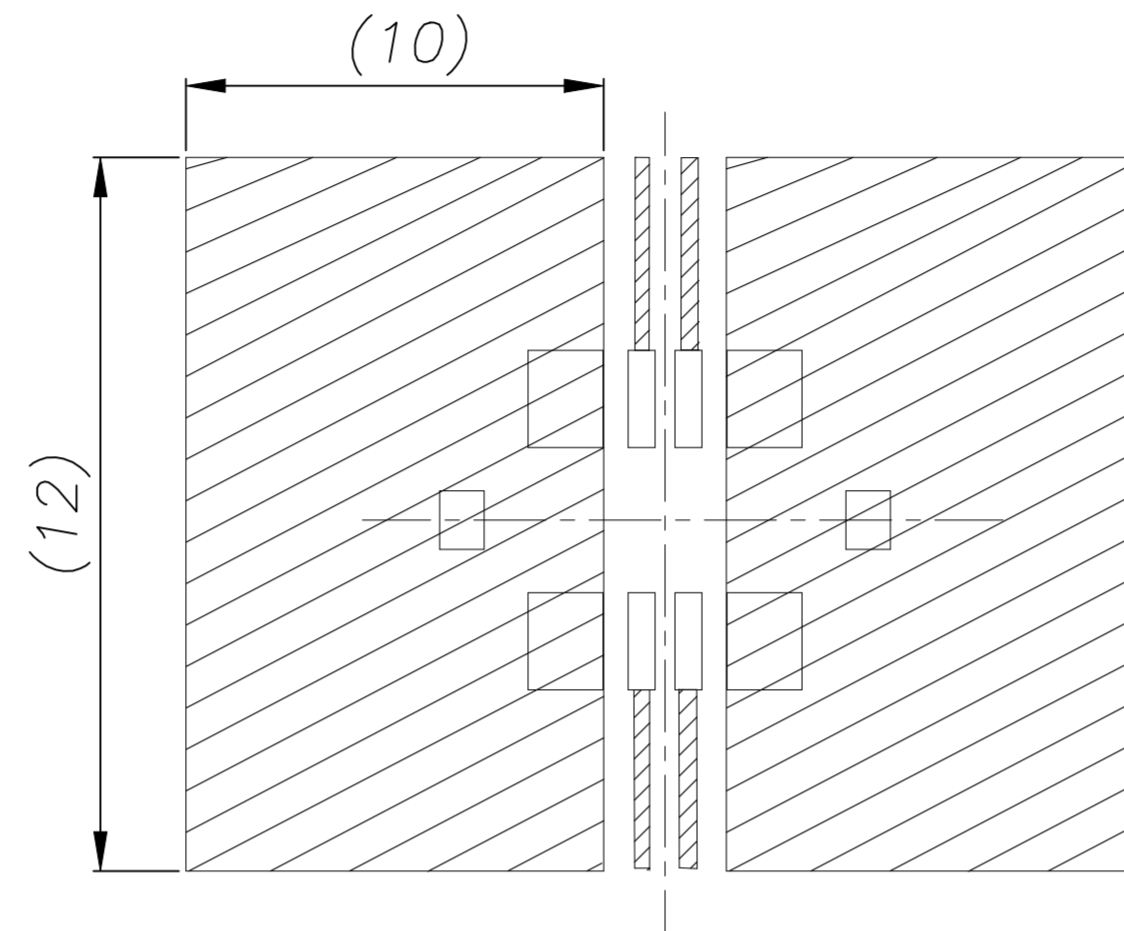
2386587-1

THIS DRAWING IS A CONTROLLED DOCUMENT.		DWN Jone_Ji 05FEB2021	TE Connectivity Ltd.													
DIMENSIONS: mm		CHK Niki_S 05FEB2021														
TOLERANCES UNLESS OTHERWISE SPECIFIED:		APVD Niki_S 05FEB2021	NAME FINE PITCH BTB 8 POS PLUG													
<table border="0"> <tr> <td>0 PLC</td> <td>± 0.4</td> </tr> <tr> <td>1 PLC</td> <td>± 0.25</td> </tr> <tr> <td>2 PLC</td> <td>± 0.15</td> </tr> <tr> <td>3 PLC</td> <td>± 0.1</td> </tr> <tr> <td>4 PLC</td> <td>± -</td> </tr> <tr> <td>ANGLES</td> <td>± 3</td> </tr> </table>		0 PLC	± 0.4	1 PLC	± 0.25	2 PLC	± 0.15	3 PLC	± 0.1	4 PLC	± -	ANGLES	± 3	PRODUCT SPEC -	SIZE A2	
0 PLC	± 0.4															
1 PLC	± 0.25															
2 PLC	± 0.15															
3 PLC	± 0.1															
4 PLC	± -															
ANGLES	± 3															
MATERIAL -		FINISH -	APPLICATION SPEC -	CAGE CODE 00779												
		WEIGHT -	DRAWING NO C=2386587	RESTRICTED TO -												
CUSTOMER DRAWING			SCALE 8:1	SHEET 1 of 3												
			REV A													

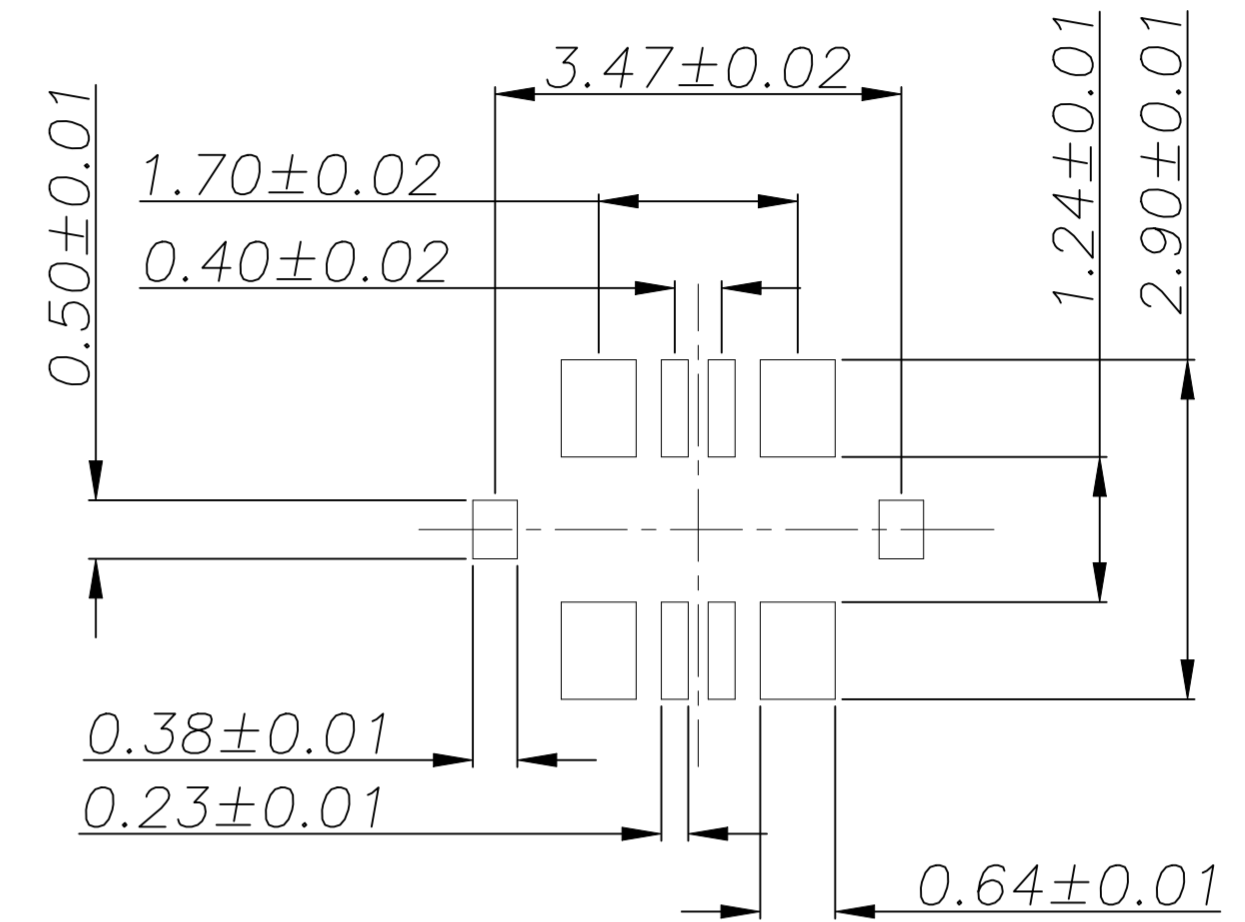
P	LTR	DESCRIPTION	DATE	DWN	APVD
-	-	SEE SHEET 1	-	-	-



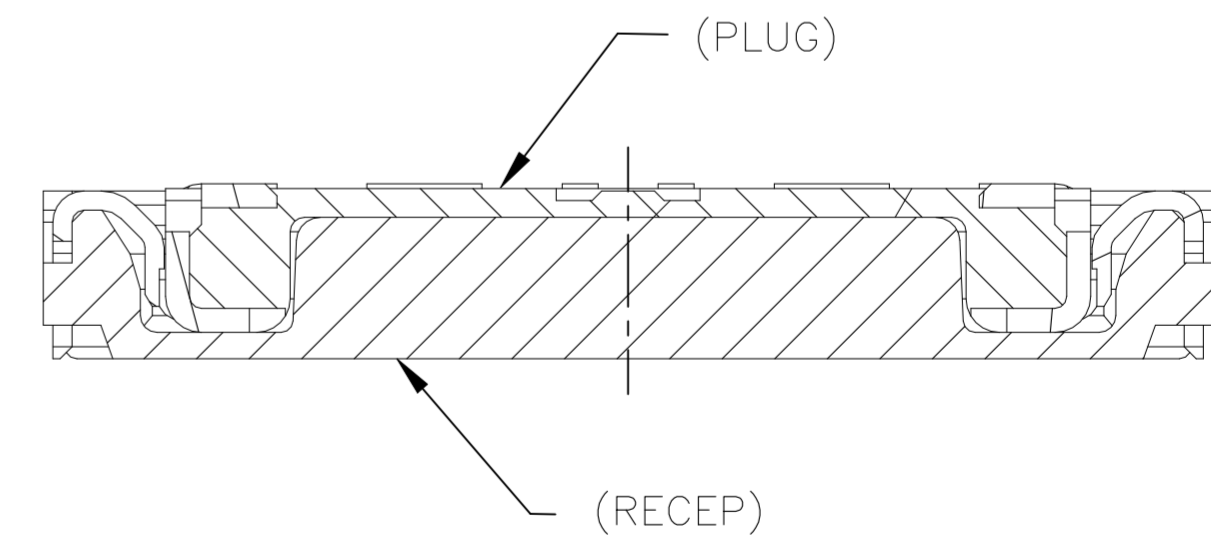
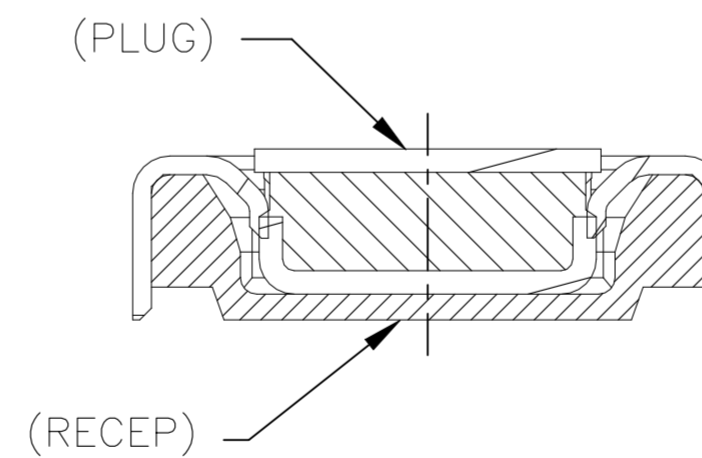
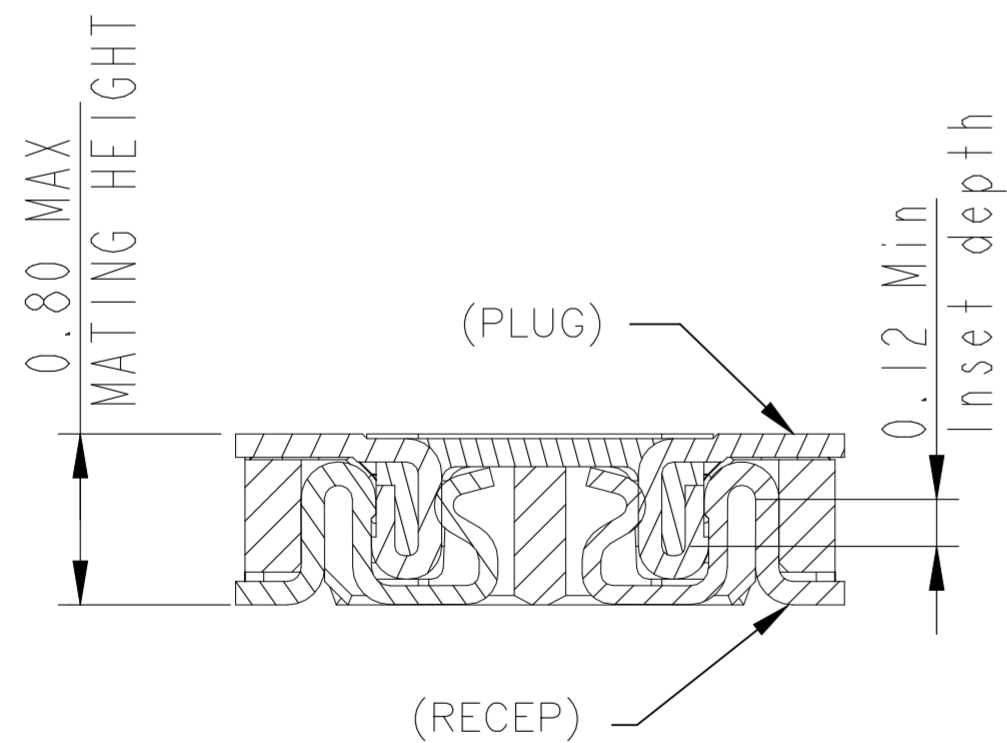
RECOMMEND PCB LAYOUT



RECOMMEND ELECTRICAL CIRCUIT LAYOUT
COPPER FOIL THINCKNESS 1oz
CAN USE MORE THICKNESS SAME
OR BETTER CONDITION LAYOUT

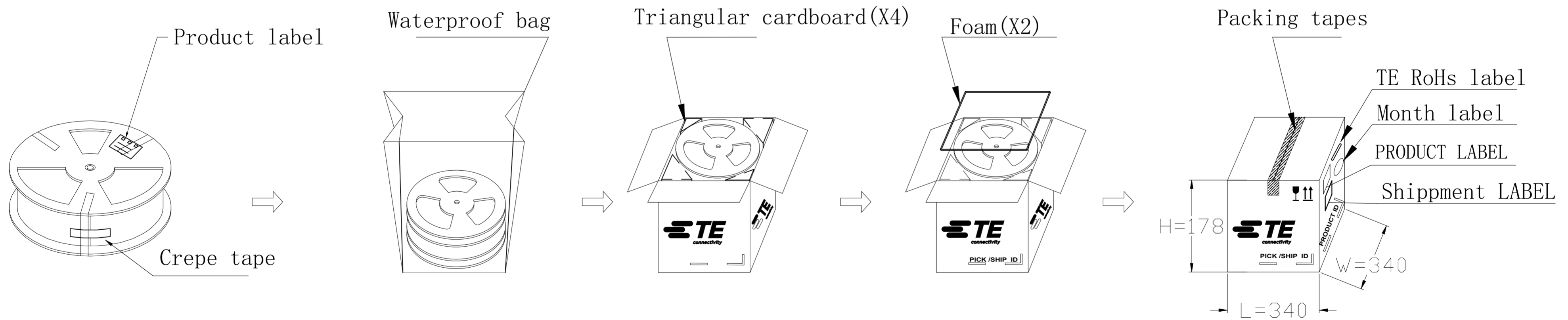
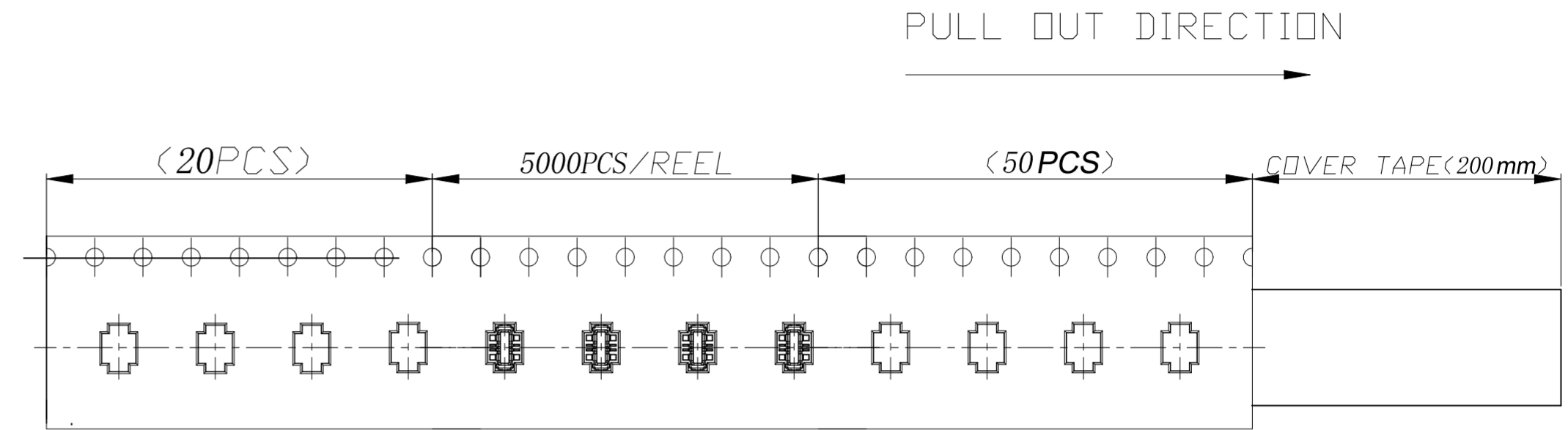
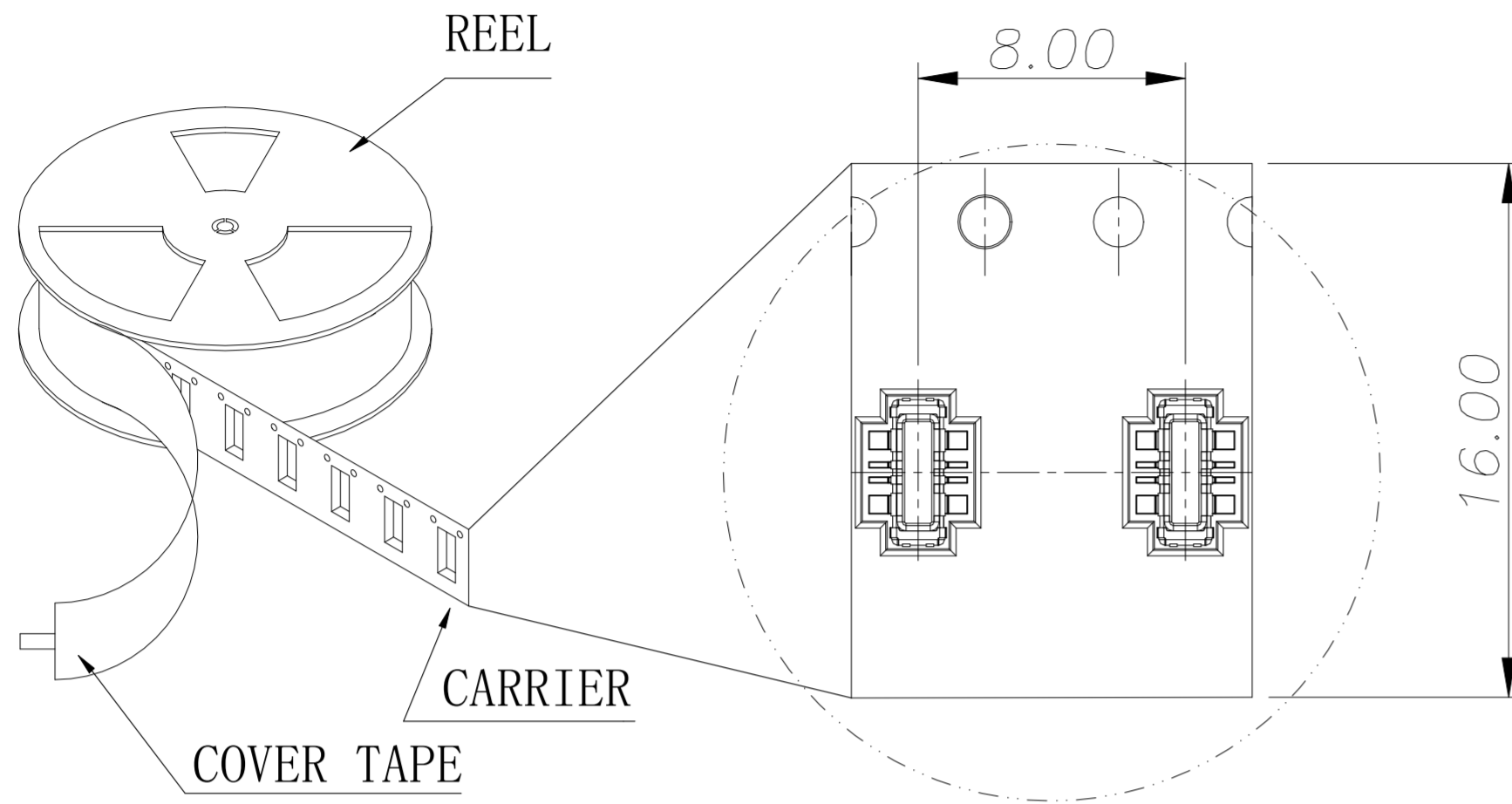


RECOMMEND METAL MASK DIMENSIONS
METAL MASK THICKNESS:80um



THIS DRAWING IS A CONTROLLED DOCUMENT.		DWN	05FEB2021		TE Connectivity Ltd.	
DIMENSIONS: mm		CHK	-			
		APVD	-		NAME FINE PITCH BTB 8 POS PLUG	
TOLERANCES UNLESS OTHERWISE SPECIFIED:		PRODUCT SPEC	-		CAGE CODE 00779	
0 PLC ± 0.4		APPLICATION SPEC	-		DRAWING NO C=2386587	
1 PLC ± 0.25		WEIGHT	-		RESTRICTED TO -	
2 PLC ± 0.15		CUSTOMER DRAWING	-		SCALE 8:1	
3 PLC ± 0.1		SCALE	8:1		SHEET 2 of 3	
4 PLC ± -		REV	A		REV A	
ANGLES ± 3						
FINISH						

REVISIONS					
P	LTR	DESCRIPTION	DATE	DWN	APVD
-	-	SEE SHEET 1	-	-	-



5000	7	35000
PCS/REEL	REEL/BOX	PCS/BOX
(PACKING CAPACITY)		

THIS DRAWING IS A CONTROLLED DOCUMENT.		DWN	05FEB2021		STE TE Connectivity Ltd.											
DIMENSIONS: mm		CHK	-													
TOLERANCES UNLESS OTHERWISE SPECIFIED:		APVD	-													
<table border="0"> <tr><td>0 PLC</td><td>± 0.4</td></tr> <tr><td>1 PLC</td><td>± 0.25</td></tr> <tr><td>2 PLC</td><td>± 0.15</td></tr> <tr><td>3 PLC</td><td>± 0.1</td></tr> <tr><td>4 PLC</td><td>± 0.1</td></tr> <tr><td>ANGLES</td><td>± 3</td></tr> </table>		0 PLC	± 0.4	1 PLC		± 0.25	2 PLC	± 0.15	3 PLC	± 0.1	4 PLC	± 0.1	ANGLES	± 3	PRODUCT SPEC	-
0 PLC	± 0.4															
1 PLC	± 0.25															
2 PLC	± 0.15															
3 PLC	± 0.1															
4 PLC	± 0.1															
ANGLES	± 3															
MATERIAL	FINISH	APPLICATION SPEC	-		NAME	FINE PITCH BTB 8 POS PLUG										
		WEIGHT	-		SIZE	A2										
		CUSTOMER DRAWING	SCALE 8:1		CAGE CODE	00779										
			SHEET 3 OF 3		DRAWING NO	C=2386587										
			REV A		RESTRICTED TO	-										