

THIS DRAWING IS UNPUBLISHED.

RELEASED FOR PUBLICATION

20

© COPYRIGHT 20

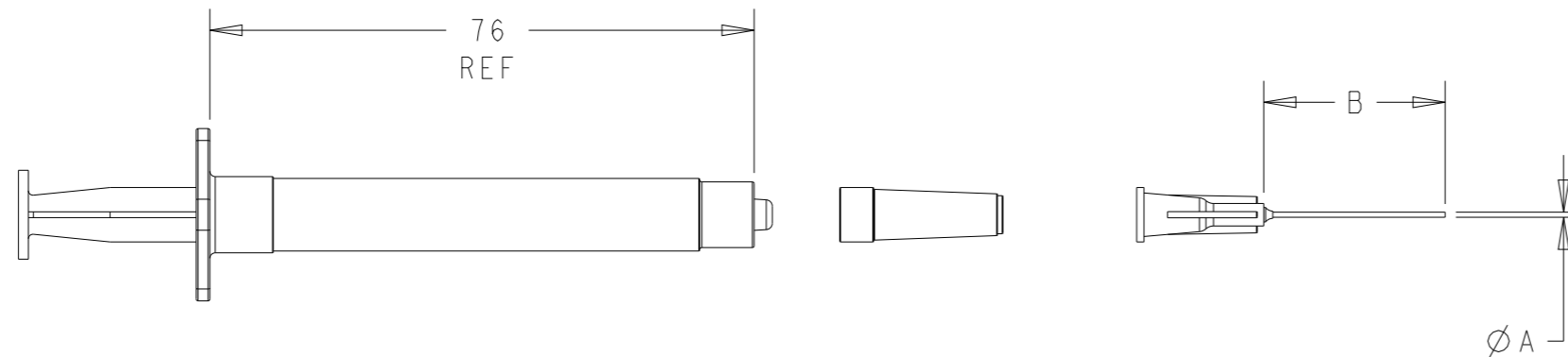
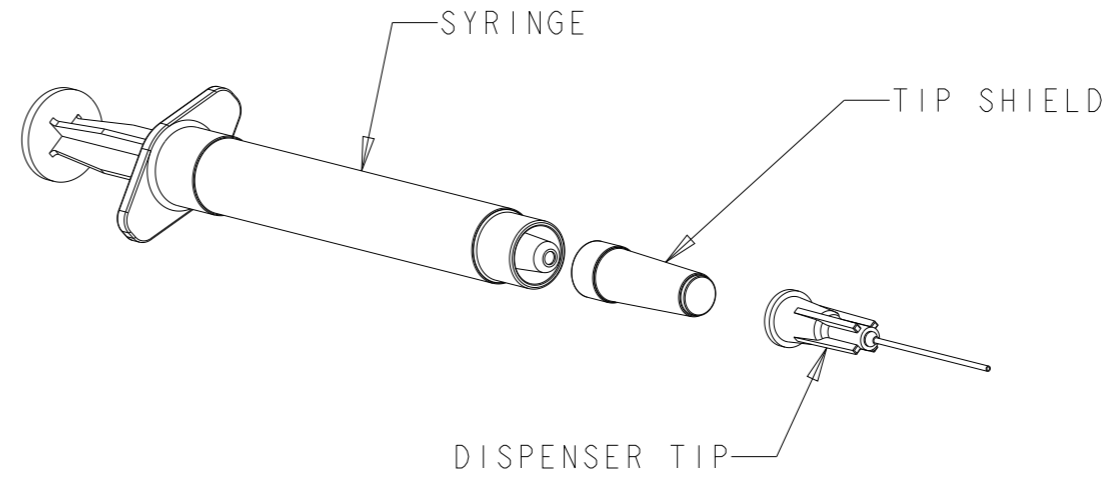
BY TYCO ELECTRONICS CORPORATION. ALL RIGHTS RESERVED.

LOC
CE
DIST
00

REVISIONS

P	LTR	DESCRIPTION	DATE	DWN	APVD
	G	REVISE PER ECR-06-026109	14NOV2006	BB	DK
	H	REVISE PER ECR-07-029335	20DEC2007	BB	DK
	J	ECN-22-142603	09MAR2022	CG	JS

1. TIP MAY NOT APPEAR EXACTLY AS SHOWN.



OBSOLETE

38.1 REF	1.27 REF	501473-5
13 REF	1.27 REF	501473-4
25.4 REF	0.89 REF	501473-3
-	-	501473-2
-	-	501473-1
B	ØA	PART NUMBER

THIS DRAWING IS A CONTROLLED DOCUMENT FOR TYCO ELECTRONICS CORPORATION. IT IS SUBJECT TO CHANGE AND THE CONTROLLING ENGINEERING ORGANIZATION SHOULD BE CONTACTED FOR THE LATEST REVISION.

DIMENSIONS: mm 	TOLERANCES UNLESS OTHERWISE SPECIFIED: 0 PLC ±- 1 PLC ±1.3 2 PLC ±0.13 3 PLC ±- 4 PLC ±- ANGLES ±-	DWN T. ALEXANDER 24JUL2000	Tyco Electronics Harrisburg, PA 17105-3608
		CHK S. MILLER 24JUL2000	
MATERIAL -	FINISH -	APVD S. BUCHTER 15AUG2000	PRODUCT SPEC -
		APPLICATION SPEC -	WEIGHT -
CUSTOMER DRAWING		SIZE A3	CAGE CODE 00779
		DRAWING NO G-501473	RESTRICTED TO
		SCALE :	SHEET OF
		REV J	