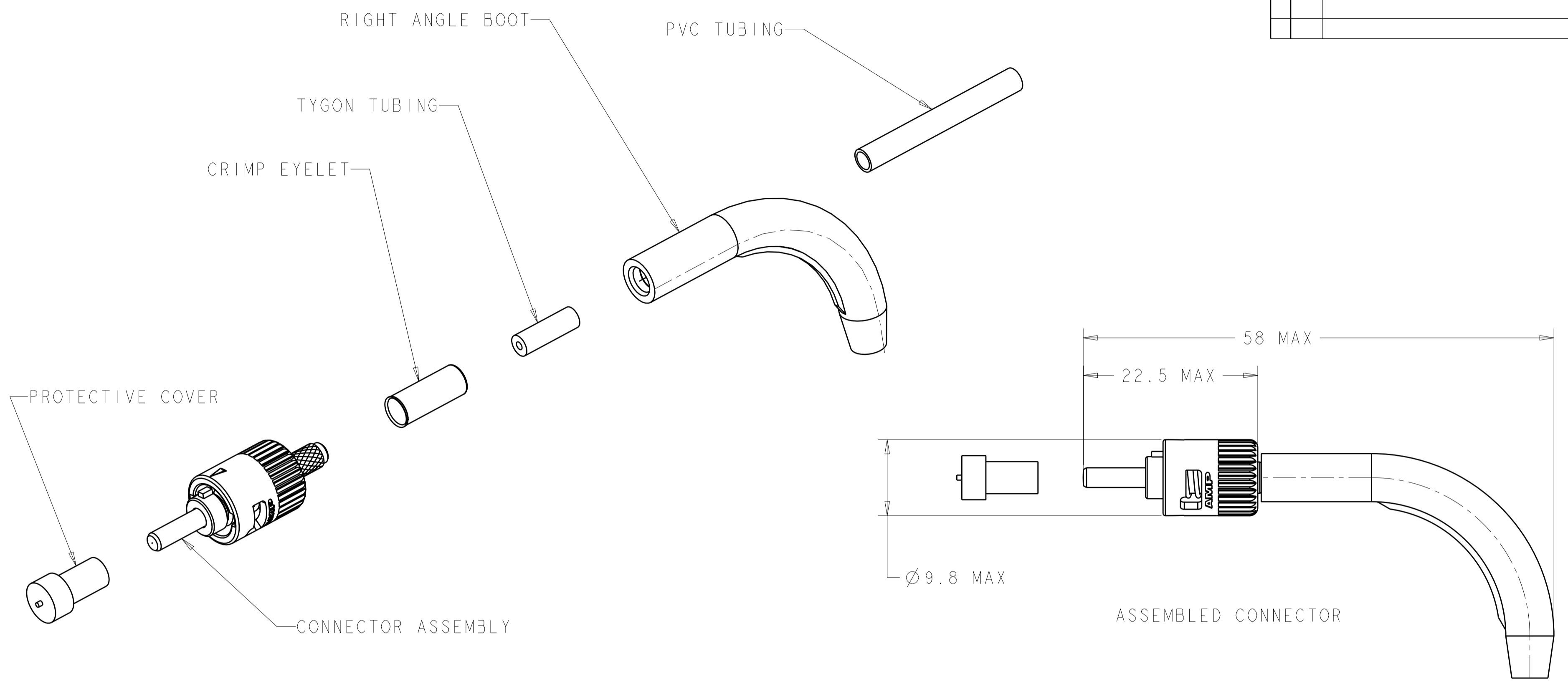


THIS DRAWING IS UNPUBLISHED. RELEASED FOR PUBLICATION 20  
 © COPYRIGHT 20 BY TYCO ELECTRONICS CORPORATION. ALL RIGHTS RESERVED.

LOC	DIST	REVISIONS			
P	LTR	DESCRIPTION	DATE	DWN	APVD
CE	00	A	RELEASE RoHS COMPLIANT PART	21APR2005	BB SB
		AI	ADD NOTE 2	16MAR09	JZ RZ



- ⚠ MATERIAL:
- PROTECTIVE COVER: LDPE, COLOR: BLACK, NON-FR.
  - CONNECTOR ASSEMBLY:
  - FERRULE ASSEMBLY: CERAMIC/NICKEL PLATED BRASS.
  - SPRING: STAINLESS STEEL.
  - COUPLING NUT: ZINC.
  - RETENTION RING: STAINLESS STEEL.
  - CRIMP EYELET: TIN PLATED COPPER.
  - RIGHT ANGLE BOOT: TPE, COLOR: BLACK, UL94 V-0 RATED AT QUALIFYING THICKNESS.
  - TYGON TUBING: TYGON, COLOR: CLEAR.
  - PVC TUBING: PVC, COLOR: BLACK, NON-FR.

2. INSTRUCTION SHEET: 408-9971 AVAILABLE FOR DOWNLOAD AT [www.tycoelectronics.com/documents](http://www.tycoelectronics.com/documents) OR [www.ampnetconnect.com/foguide](http://www.ampnetconnect.com/foguide).

125um	5502674-1
FIBER SIZE	PART NUMBER

THIS DRAWING IS A CONTROLLED DOCUMENT FOR TYCO ELECTRONICS CORPORATION. IT IS SUBJECT TO CHANGE AND THE CONTROLLING ENGINEERING ORGANIZATION SHOULD BE CONTACTED FOR THE LATEST REVISION.		DWN B. BRIGGS 21APR2005	Tyco Electronics Corporation Shanghai, China	
DIMENSIONS: mm		CHK S. BUCHTER 21APR2005	NAME CONNECTOR KIT, RIGHT ANGLE, 2.5mm BAYONET	
TOLERANCES UNLESS OTHERWISE SPECIFIED: 0 PLC ± 1 PLC ± 2 PLC ± 3 PLC ± 4 PLC ± ANGLES ± FINISH		APVD S. BUCHTER 21APR2005	RESTRICTED TO	
MATERIAL		PRODUCT SPEC -	SIZE A200779	CAGE CODE C-5502674
⚠		APPLICATION SPEC -	DRAWING NO 5502674	REV AI
		WEIGHT -	SCALE 5:2	SHEET 1 OF 1
		CUSTOMER DRAWING		