

LAYOUT SHOWN AS EXAMPLE

Keying Shown as example

CHARACTERISTICS

- Standard : Based on MIL-DTL-38999 Series III
- Shell Material : Aluminium
- Shell Plating : Nickel
- Insulator : Thermoplastic
- Contacts : Copper Alloy
- Seals & Grommet : Silicon Elastomer
- Contact Plating : Gold over copper Alloy 0.8µm minimum
- Durability : 500 Mating cycles
- Delivered without Souriau contacts
- Temperature Range : -65°C to +200°C
- Salt Spray : 48 hours
- Mass : 44.16 g ± 10%

Connector dimension	
Dim	Nominal
A	52.4±0.3
B	36.5+0.1/-0.15
R	32.5Max
S	49.2±0.4
W	3+0.9/-0.1
VV THREAD	M31x1-6g

SOURIAU shall not be liable for any non-conformity or damage due to a use of the Products which does not comply with the Specifications issued by either of the Parties or by a third party (professional recommendation, technical notice.)

Country	Jurisdiction & Control List
FR	Not Listed

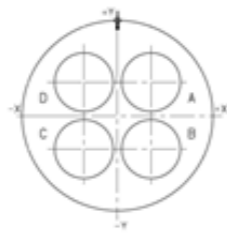
PN: 8D721F48PAL

A	08-11-2016	First Release	
ISS	DATE	Latest modification - by	MOD N°
Designed By:		Date:	CUSTOMER DRAWING
TITLE	Aluminium Receptacle 8D series		
SCALE	NA	General linear Tolerances: ±--	NPRDS / PROJECT 859
SOURIAU	WWW.SOURIAU.COM		This document is the property of SOURIAU it must not be reproduced or communicated without permission
FORMAT	A3		SOURIAU DRG N° 8D721F48PAL-C
			SHEET 1/2

BASIC SERIES:	8D	7	-	21	F	48	P	A	L	Delivered W/O Contacts
SHELL TYPE :	Jam nut Receptacle				ORIENTATION : A					
CONTACT TYPE :	Standard Crimp Contact				CONTACT TYPE : PIN(500 Matings)					
SHELL SIZE :	21				CONTACT LAYOUT : 21-48					
PLATING :	F = Nickel									

Contact Layout

48

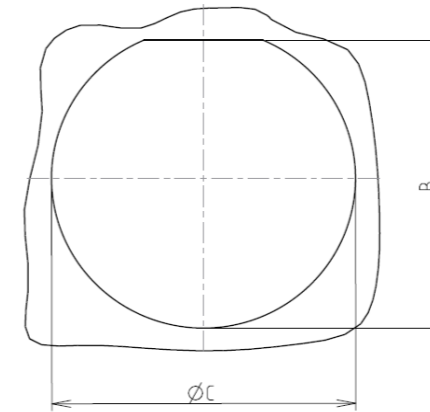


4#8 Power

21-48		
Ctc	X	Y
A	4.57	4.57
B	4.57	-4.57
C	-4.57	-4.57
D	-4.57	4.57

Panel cutout

JAM NUT RECEPTACLE (TYPE 7)



Max. thickness panel for receptacle: Type 7: 3.2 mm

Dim	Nominal
B	37.08+0/-0.25
ØC	38.35+0.25/-0

SOURIAU shall not be liable for any non-conformity or damage due to a use of the Products which does not comply with the Specifications issued by either of the Parties or by a third party (professional recommendation, technical notice.)

Country	Jurisdiction & Control List
FR	Not Listed

PN: 8D721F48PAL

A	08-11-2016	First Release	
ISS	DATE	Latest modification - by	MOD N°
Designed By:		Date:	CUSTOMER DRAWING
TITLE	Aluminium Receptacle 8D series		
SCALE		General linear Tolerances:	NPRDS / PROJECT
NA		±--	859
SOURIAU	WWW.SOURIAU.COM		This document is the property of SOURIAU it must not be reproduced or communicated without permission
FORMAT	SOURIAU DRG N° 8D721F48PAL-C		SHEET 2/2