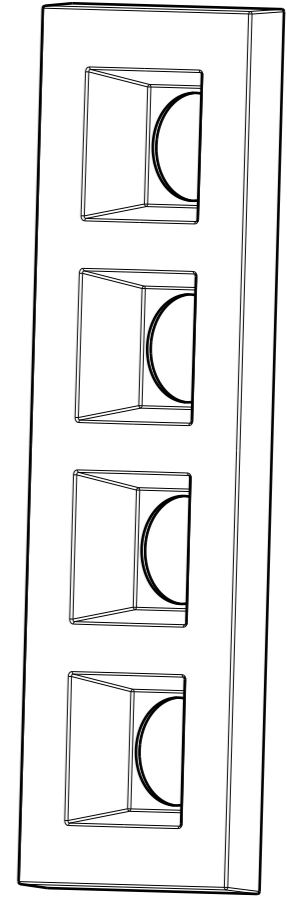
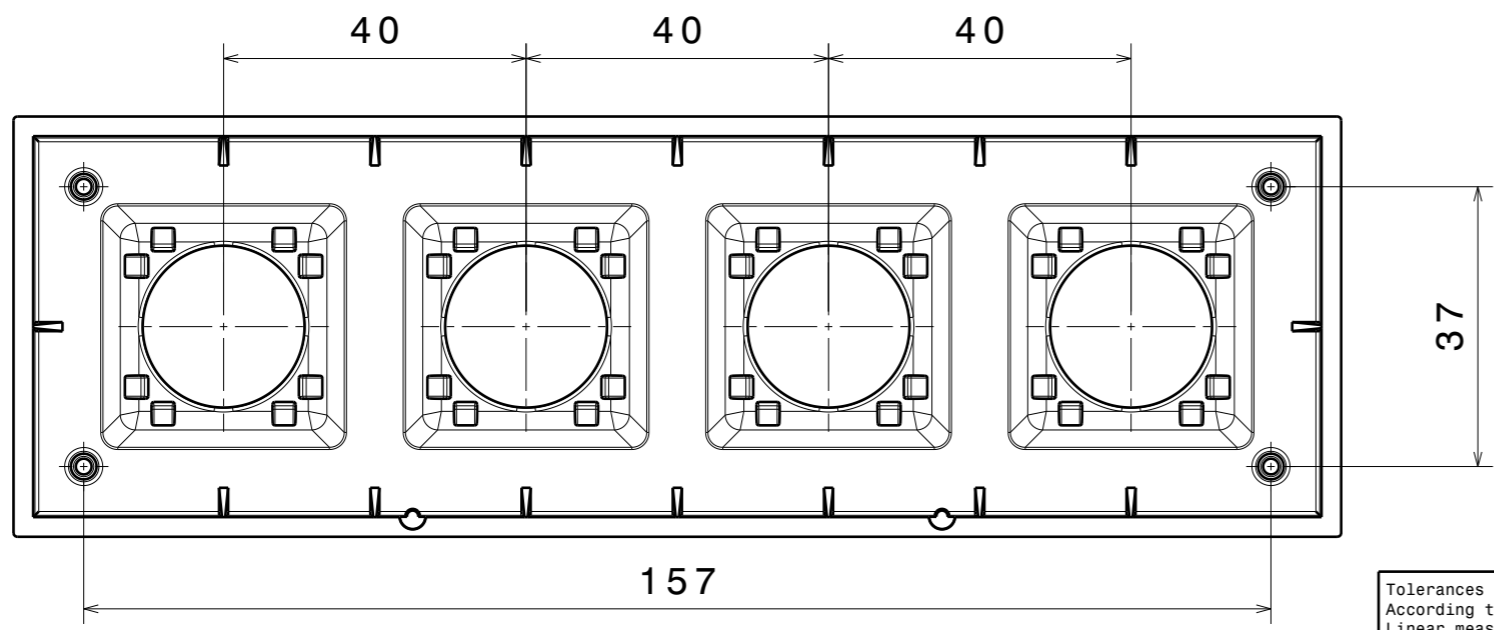
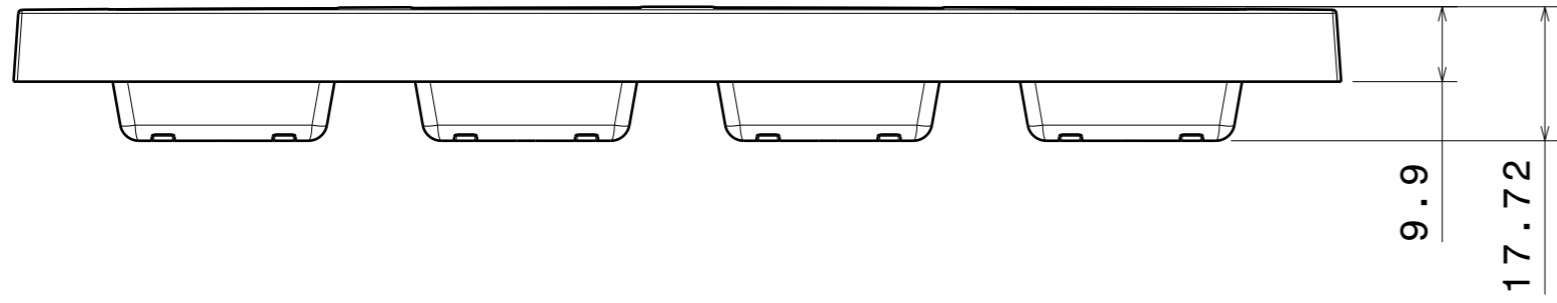
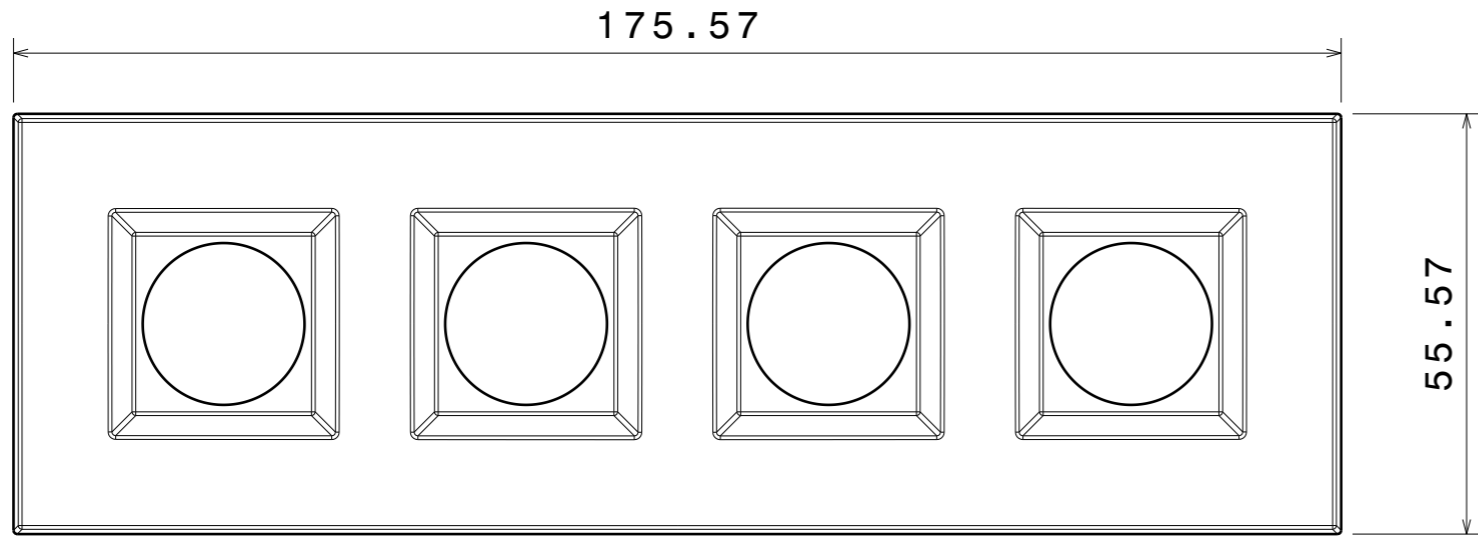


H G F E D C B A



Isometric view  
Scale: 2:3

INDEX	PART NO	DESCRIPTION	MATERIAL	COLOUR
1	C15690	FLORENTINA-4X1-SHD-WHT	PC	white

Tolerances if not otherwise shown  
According to DIN ISO 2768-1  
Linear measures:  
up to 30mm class M, otherwise class C  
According to DIN ISO 2768-2  
Form and position: class L

**LEDiL** LediL Oy  
Salorankatu 10  
FIN 24240 SALO  
Finland

THIRD ANGLE PROJECTION:

DRAWING TITLE  
**C15690\_FLORENTINA-4X1-SHD-WHT**

This drawing is the property of LEDiL Oy. It may not be reproduced, copied or communicated without a written agreement with LEDiL Oy.

SIZE	PART NUMBER
<b>A3</b>	<b>C15690</b>

SCALE	1:1	WEIGHT	38,88 g	SHEET	1/1
-------	-----	--------	---------	-------	-----