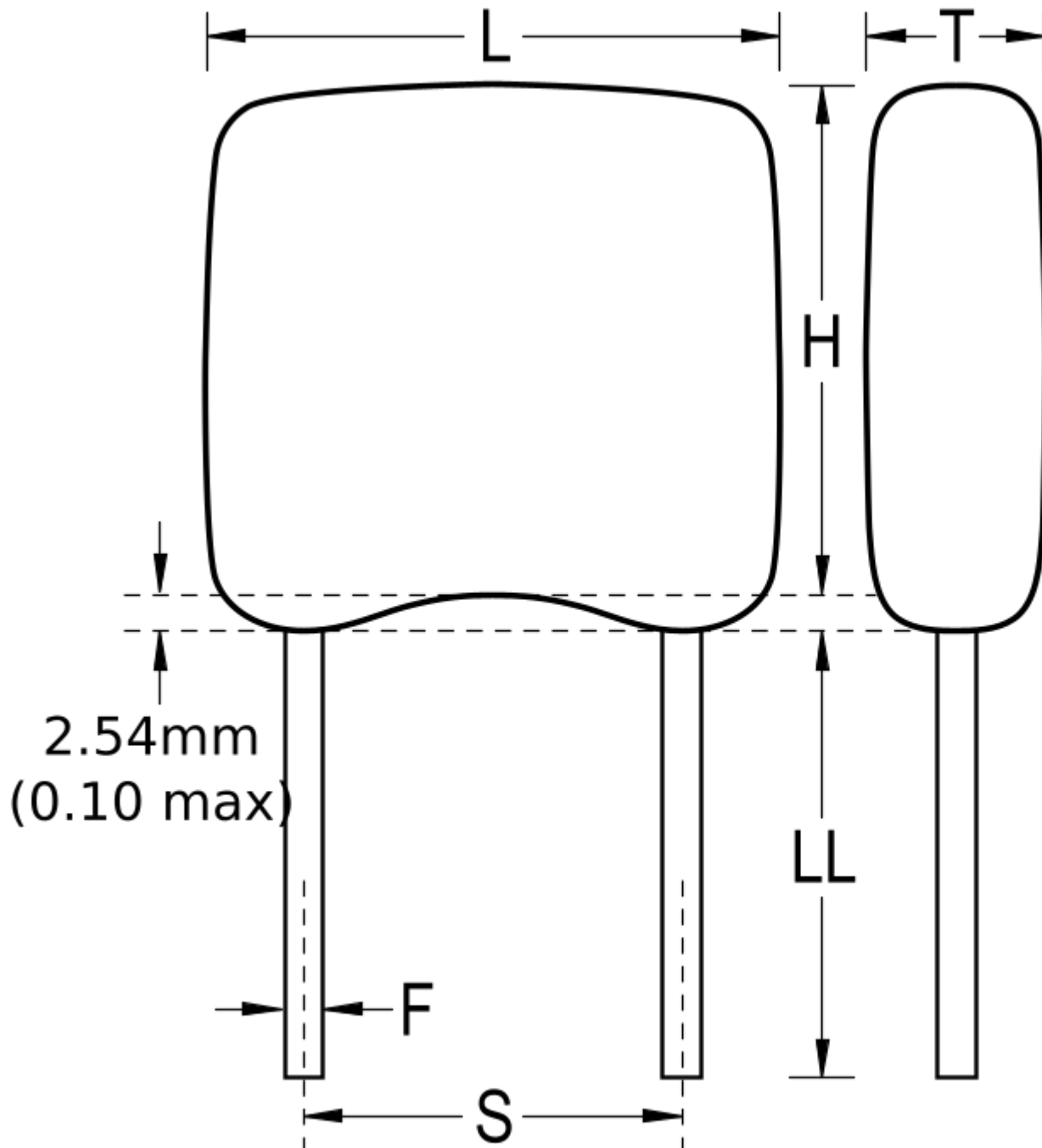


# C667C104MHR5TA

GoldMax 600 Comm X7R HV, Ceramic, 0.1 uF, 20%, 3000 VDC, X7R, GoldMax, Commercial Standard,  
Lead Spacing = 17.14mm



Click [here](#) for the 3D model.

## Dimensions

- L 19.56mm MAX
- H 18.29mm MAX
- T 6.89mm MAX
- S 17.14mm NOM

## Dimensions

LL 7mm MIN

F 0.64mm NOM

## Packaging Specifications

Packaging Bulk, Bag

Packaging Quantity 25

## General Information

Series GoldMax 600 Comm X7R HV

Style Radial

Description GoldMax, Commercial Standard

RoHS With Exemptions

REACH SVHC (Pb – CAS 7439-92-1)

Termination Tin

Failure Rate N/A

AEC-Q200 No

Halogen Free Yes

## Specifications

Capacitance	0.1 uF
Measurement Condition	1 kHz 1.0Vrms
Capacitance Tolerance	20%
Voltage DC	3000 VDC
Dielectric Withstanding Voltage	3600 VDC
Temperature Range	-55/+125°C
Temperature Coefficient	X7R
Capacitance Change with Reference to +25°C and 0 VDC Applied (TCC)	0.15, 1kHz 1.0Vrms
Dissipation Factor	2.5% 1 kHz 1.0Vrms
Aging Rate	3% Loss/Decade Hour: Referee Time is 1000 Hours
Insulation Resistance	10 GOhms

Statements of suitability for certain applications are based on our knowledge of typical operating conditions for such applications, but are not intended to constitute - and we specifically disclaim - any warranty concerning suitability for a specific customer application or use. This Information is intended for use only by customers who have the requisite experience and capability to determine the correct products for their application. Any technical advice inferred from this Information or otherwise provided by us with reference to the use of our products is given gratis, and we assume no obligation or liability for the advice given or results obtained.

Generated 5/18/2023 - ef2cb5fa-0d7b-4b5e-bd27-e6f041e9b2fd

© 2006 - 2023 KEMET

Generated 5/18/2023 - ef2cb5fa-0d7b-4b5e-bd27-e6f041e9b2fd

© 2006 - 2023 KEMET