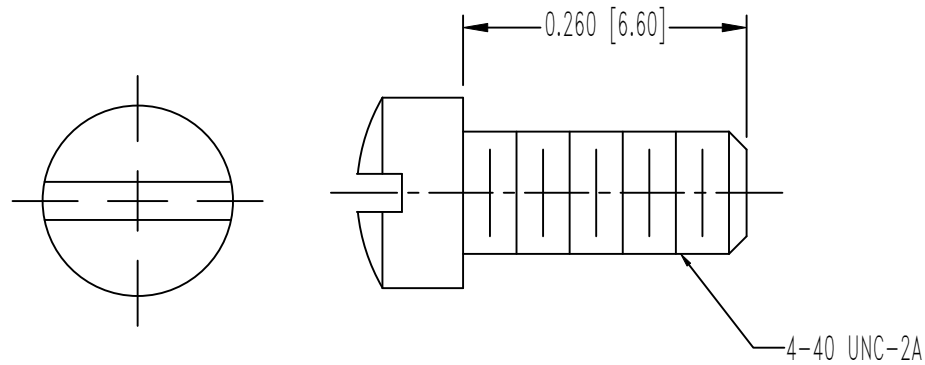


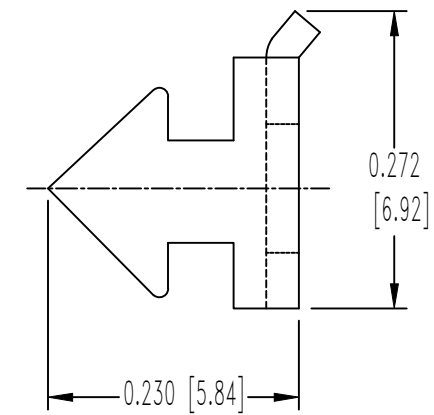
POSITRONIC INDUSTRIES BELIEVES THE DATA ON THIS DRAWING TO BE RELIABLE. SINCE THE TECHNICAL INFORMATION IS GIVEN FREE OF CHARGE, THE USER EMPLOYS SUCH INFORMATION AT HIS OWN DISCRETION AND RISK. POSITRONIC INDUSTRIES ASSUMES NO RESPONSIBILITY FOR RESULTS OBTAINED OR DAMAGES INCURRED FROM USE OF SUCH INFORMATION IN WHOLE OR IN PART.

DATE	REV	REVISION RECORD	APP	DR	CK
10-31-11	NC	ECO 34642	COLE	BE	COLE
7-15-13	A	ECO 39836	COLE	BE	COLE

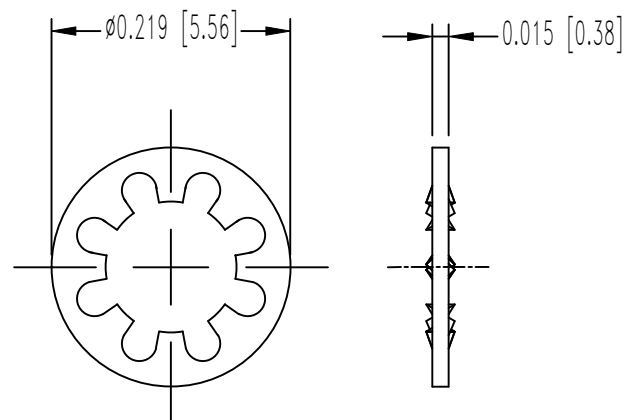
SCREW



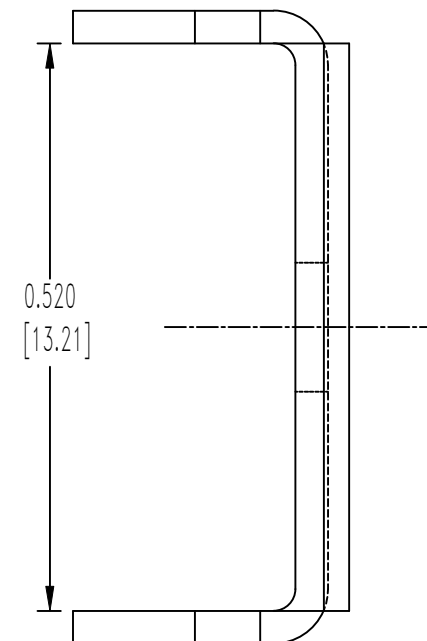
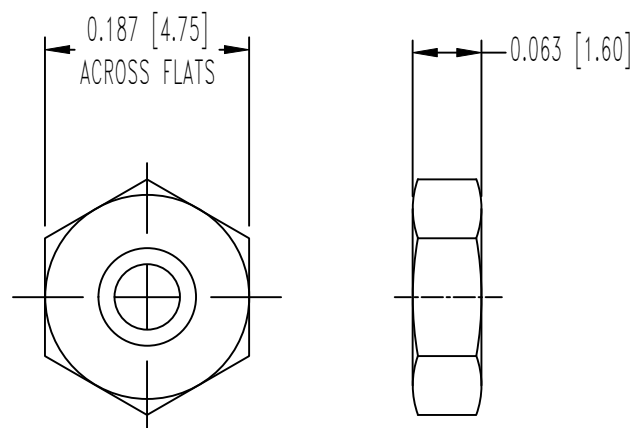
V3 LOCK TAB



LOCKWASHER



HEX NUT



NOTES:

- MATERIALS AND FINISHES:
 LOCK TAB: STEEL, NICKEL PLATE.
 LOCKWASHERS: PHOSPHOR BRONZE, ZINC PLATE WITH CHROMATE SEAL.
 HEX NUTS: BRASS, ZINC PLATE WITH CHROMATE SEAL.
 SCREWS: BRASS, ZINC PLATE WITH CHROMATE SEAL.
- THIS KIT CONSIST OF: 2 LOCK TABS, 2 LOCKWASHERS, 2 HEX NUTS AND 2 SCREWS.
- DETAILED PRODUCT, ELECTRICAL, AND MECHANICAL INFORMATION IS AVAILABLE IN THE LATEST D-SUB ACCESSORY PRODUCT PUBLICATION. VISIT CONNECTPOSITRONIC.COM/PRODUCTS/58/D-SUBMINIATUREACCESSORIES OR CONNECTPOSITRONIC.COM.
- ACCESSORY IS COMPLIANT TO THE CURRENT ROHS DIRECTIVE.
- DIMENSIONS ARE IN INCHES [MILLIMETERS].

		POSITRONIC INDUSTRIES INC. SPRINGFIELD, MISSOURI 65801	
		SCALE: N.T.S. DRAWN BY: B. EVANS APPROVED BY: COLE	TITLE: D500000V30/AA
DECIMAL TOL. ± 0.015 [0.38]	DATE: 10-31-11	DRAWING NUMBER: SK12849	REV.: A