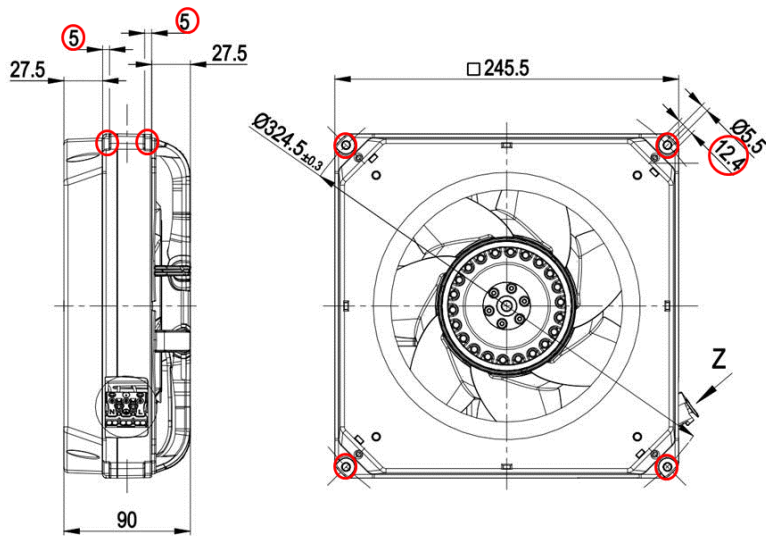




Product Change Notice

Date:	8/11/17
Overview:	Compact Diagonal Modules - Mounting holes formerly countersunk, now made flush with housing
Reason for Change:	To allow for a bigger / flatter contact surface for the mounting screws
Affected Part Number(s):	K2E200-AD08-02, K2E200-AD20-01, K3G200-AD21-01, K3G200-AD11-02
Design Change Detail:	The current housing has countersunk areas around each of the mounting holes (8 total - 1 in each corner / 4 on each side of the module). These indentations around the mounting holes have been omitted, or "filled in," to allow for a bigger / flatter contact surface for the mounting screws (please see images on page 2).
Effective Date:	Immediate - Original housing style no longer available; all orders will be fulfilled with the new housing style
Attachments:	Images, for reference (page 2)
Comments:	N/A



Original Style – Countersunk



New Style - Flush



Form No: 1274	Quality Record - No	Total Pages - 2
Rev. – Orig, Released 08/28/14	Retention Period – 1 year	Dept. Owner – Sales/Marketing