

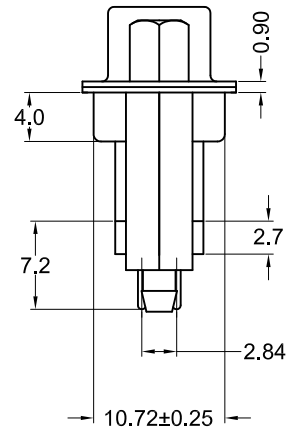
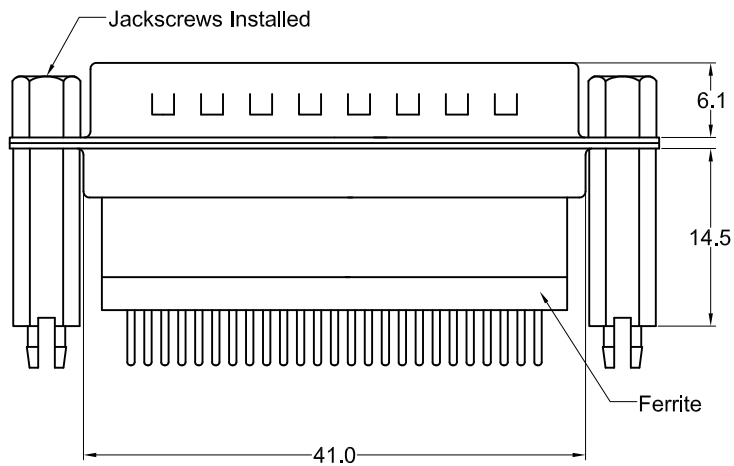
Recommended PCB Layout
(Top View)

Material and Finish

Shell: Steel, Nickel Plated
 Insulator: PBT with Glass-Fiber Reinforcement
 UL 94V-0 Rated
 Color-Black
 Contact Material: Brass
 Contact Plating Options:
 Standard Option:
 Gold Flash over Nickel
 on Entire Contact

Electrical Specifications

Rated Current: 2A
 Rated Voltage: 30V RMS
 Dielectric Withstanding Voltage:
 1000V (rms) AC for 1 minute
 Insulation Resistance:
 more than 1000 Megohm
 at 500V DC
 Contact Resistance:
 13 milliohm max.
 Temperature Rating:
 -55°C to +105°C



Ferrite Specifications	
Measured Value(OHM)	Test Frequency
20 MIN.	25 MHz.
50 MIN.	100 MHz.

RoHS COMPLIANT



Tolerances
X.X ± 0.25
X.XX ± 0.15
Unless Stated
Otherwise

REV.	DATE	DESCRIPTION	REV. BY	CHK. BY	DRAWN BY	DATE
A1	02/03/11	New Drawing	S. Vien	H. MA		
A2	12/31/17	ECO #17-035	J. Elbanna	C. Furumasu	S. Vien	04/10/10

KF88X-BC-25P-BRJ

Vertical D-Sub, 25 Pin Male, RoHS Compliant
 Ferrite, Boardlocks, JS, Mach Pins

