

Product Abstract

MLX81205/07

TruSense BLDC Motor Controller

Features

Microcontroller: MLX16-FX RISC CPU

- 16bit RISC CPU with 20MIPS and Power-Saving-Modes
- Co-processor for fast multiplication and division
- Flash and NVRAM memory with ECC
- In-circuit debug and emulation support

Supported Bus Interfaces:

- LIN interface with integrated LIN transceiver supporting LIN 2.x, certified LIN protocol software provided by Melexis
- In-Module programming (Flash and NVRAM) via pin LIN using a special Melexis fast protocol
- PWM interface

Motor Controller

- Patented algorithms for sensor-less 3-phase sine and trapezoidal motor control
- Phase voltage integration filter for BEMF voltage sensing at lowest speeds
- Position dependent phase inductance sensing via shunt current measurements at stand still and low to medium speeds
- Support of Star and Delta based motor configurations without the need for center star point
- Support of 3-phase switched reluctance motor control

Voltage Regulator

- Direct powered from 12V board net with low voltage detection
- Operating voltage $V_S = 5V$ to 18V
- Internal voltage regulator with possibility to use external regulator transistor
- Very low standby current, $< 50\mu A$ in sleep mode, wake-up possible via LIN or local sources

Pre-Driver

- Pre-driver ($\sim 27\Omega$ R_{dson}) for 3 N-FET half bridges with programmable Inter-Lock-Delay
- Monitoring of Drain-Source voltages of the N-FETs

Periphery

- Full duplex SPI, Master/Slave, double-buffered, programmable speed, DMA access.
- Full duplex UART
- 4 independent 16 bit timer modules with capture and compare and additional software timer
- 3 programmable 12 bit PWM units with programmable frequencies
- 10 bit ADC converter ($2\mu s$ conversion time) and DMA access
- On-chip temperature sensor with $\pm 10K$ accuracy
- System-clock-independent fully integrated watchdog
- 40MHz clock from internal RC oscillator with PLL
- Load dump and brown out interrupt function
- Integrated shunt current amplifier with programmable gain

Applications

The MLX81205/07 are designed to control BLDC motors via external FET transistors for applications like oil pumps, water pumps, fuel pumps, blowers, compressors, and positioning actuators.

Product Abstract

MLX81205/07

TruSense BLDC Motor Controller

Family Concept

	MLX81205	MLX81206	MLX81207	MLX81208
Flash Memory [kByte]	32	64	32	64
RAM [kByte]	4	4	4	4
NVRAM [Byte]	4x128 ¹	4x128	4x128	4x128
Package	QFN32	QFN32	TQFP48	TQFP48
Support of active high side reverse polarity protection	No	No	Yes	Yes
Current shunt measurement possibility	High side	High side	High side	High side
Programmable Slope Control	Yes	No	Yes	No
SPI	No	Yes	Yes	Yes
External Crystal option	Yes	No	Yes	No
UART	Yes	Yes	Yes	Yes
Number of general purpose IO pins	3	5	6	6
Support of sensor based BLDC motor control	no	Yes	Yes	Yes
Bonded pins in package	32	32	37	35

Table 1 – Family Options

Ordering Information

Order Code	Temperature Range	Package	Delivery	Remark
MLX81205 LLW-BAD-000-TU	-40 - 150 °C	QFN32_WF 5x5	Tube	QFN with wettable flanks
MLX81205 LLW-BAD-000-RE	-40 - 150 °C	QFN32_WF 5x5	Reel	QFN with wettable flanks
MLX81207 LPF-BAD-000-TR	-40 - 150 °C	TQFP EP 48 7x7	Tray	
MLX81207 LPF-BAD-000-RE	-40 - 150 °C	TQFP EP 48 7x7	Reel	

Table 2 – Ordering Information

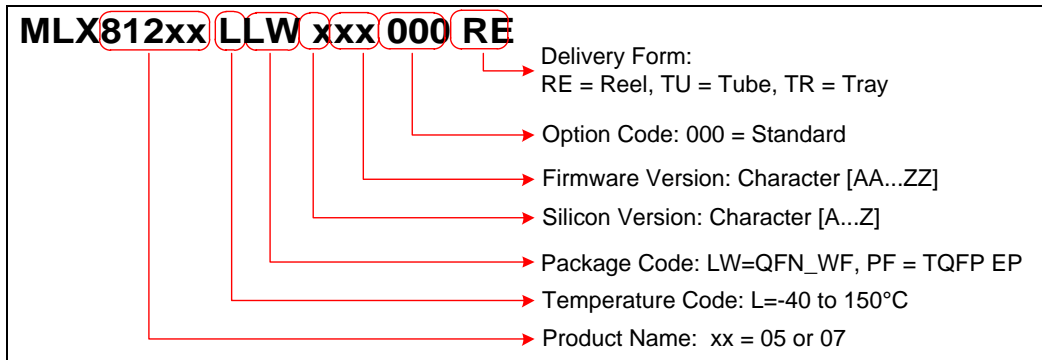
Legend:

¹ One page of 128 byte is only writable in test mode and reserved for Melexis calibration and test data

Product Abstract

MLX81205/07

TruSense BLDC Motor Controller



Contents

1. Functional Diagram	4
2. Pin Description	5
3. Electrical Characteristics.....	5
3.1. Operating Conditions.....	6
3.2. Absolute Maximum Ratings	6
4. Application Examples.....	8
4.1. Sensor-less BLDC Motor Control on the LIN bus or via PWM-Interface.....	8
4.2. Sensor-less BLDC Motor Control with LIN Bus or via PWM Interface with reverse polarity protection in the battery path	10
4.3. Sensor based BLDC Motor Control	12
5. Mechanical Specification	13
5.1. QFN Package (32 leads)	13
5.2. TQFP package (48 leads)	13
5.3. Marking MLX81205/07	15
6. Assembly Information.....	16
7. Disclaimer.....	16

Product Abstract

MLX81205/07

TruSense BLDC Motor Controller

1. Functional Diagram

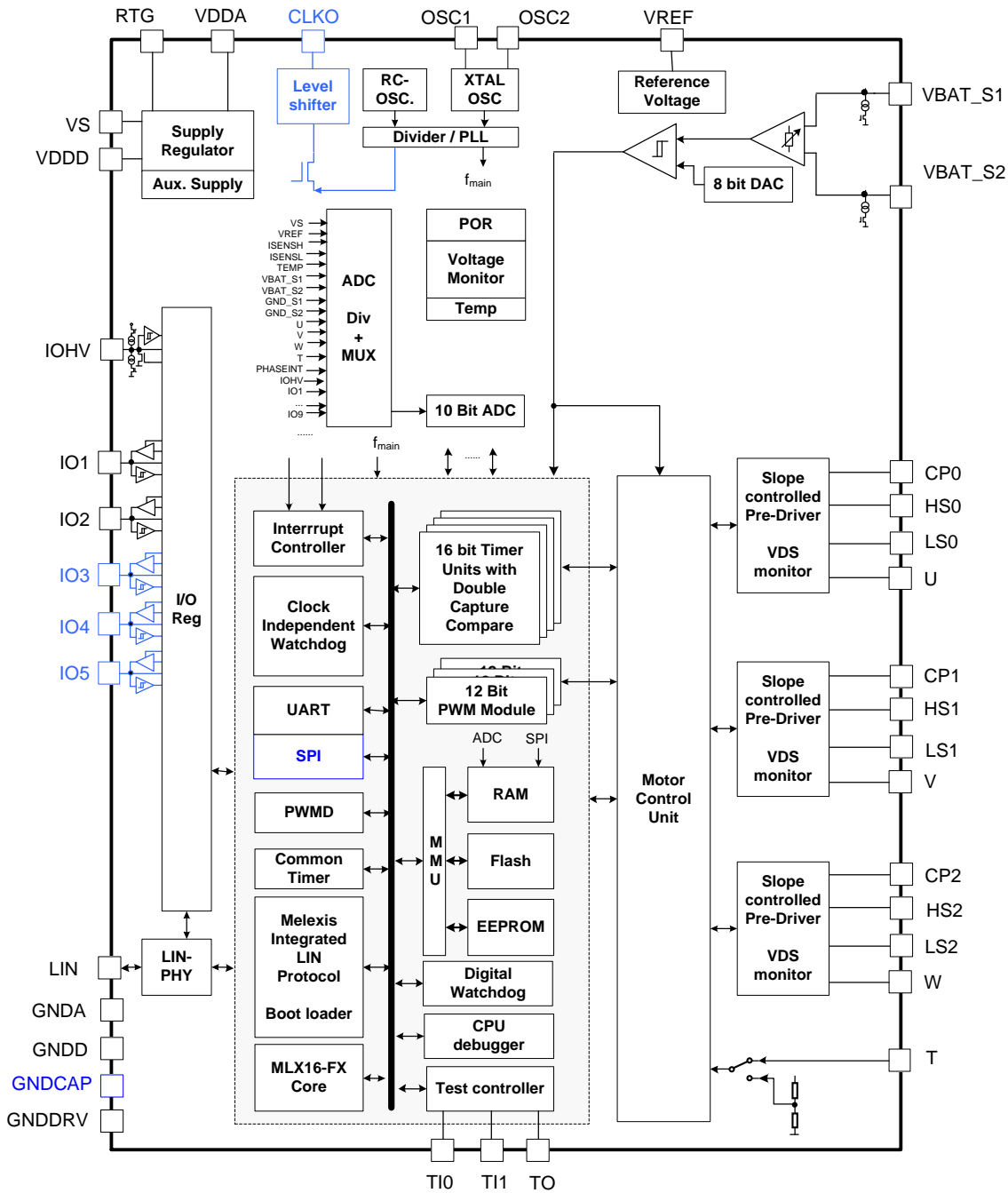


Figure 1: Block Diagram

Colour legend:

Black: common for MLX81205 and MLX81207

Blue: additional pins or functionality for MLX81207

Product Abstract

MLX81205/07

TruSense BLDC Motor Controller

2. Pin Description

Name	Type	Function	MLX81205	MLX81207
VS	P	Battery Supply	X	X
RTG	O	3.3V External MOS Gate Control	X	X
VDDA	P	3.3V Supply	X	X
VDDD	P	1.8V Regulator output	X	X
GNDD	GND	Digital ground	X	X
GNDCAP	GND	Digital ground		X
GNDDRV	GND	Driver ground	X	X
GND A	GND	Analogue ground	X	X
LIN	HVIO	Connection to LIN bus or PWM interface	X	X
IOHV	HVIO	General purpose IO pin	X	X
TI0	I	Test input, debug interface	X	X
TI1	I	Test input, debug interface	X	X
TO	O	Test output, debug interface	X	X
OSC1	I	Quartz interface input	X	X
OSC2	O	Quartz interface output	X	X
IO1	LVIO	General purpose IO pin (Low voltage 3.3V)	X	X
IO2	LVIO	General purpose IO pin (Low voltage 3.3V)	X	X
IO3	LVIO	General purpose IO pin (Low voltage 3.3V)		X
IO4	LVIO	General purpose IO pin (Low voltage 3.3V)		X
IO5	LVIO	General purpose IO pin (Low voltage 3.3V)		X
CLKO	HVO	Switch able 250kHz clock output to VREF level		X
T	HVI	Reference input to BEMF sensing blocks	X	X
VREF	P	Clamped 8V or 12V ref. voltage for bootstrap	X	X
CP2	HVIO	High side bootstrap capacitor driver 2	X	X
HS2	HVIO	N-FET high side gate driver 2	X	X
W	HVI	Phase W input to HS2 buffer and BEMF sensing blocks	X	X
LS2	HVO	N-FET low side gate driver 2	X	X
CP1	HVIO	High side bootstrap capacitor driver 1	X	X
HS1	HVIO	N-FET high side gate driver 1	X	X
V	HVI	Phase V input to HS1 buffer and BEMF sensing blocks	X	X
LS1	HVO	N-FET low side gate driver 1	X	X
CP0	HVIO	High side bootstrap capacitor driver 0	X	X
HS0	HVIO	N-FET high side gate driver 0	X	X
U	HVI	Phase U input to HS0 buffer and BEMF sensing blocks	X	X
LS0	HVO	N-FET low side gate driver 0	X	X
VBAT_S1	HVI	VS high side input for current sensing	X	X
VBAT_S2	HVI	VS low side input for current sensing	X	X
Pin count			32	37

Table 3 – Pin Description MLX81205 / MLX81207

3. Electrical Characteristics

All voltages are referenced to ground (GND). Positive currents flow into the IC. The absolute maximum ratings given in table below are limiting values that do not lead to a permanent damage of the device but exceeding any of these limits may do so. Long term exposure to limiting values may affect the reliability of the device. Reliable operation of the MLX81205/07 is only specified within the limits shown in 3.2.

Product Abstract

MLX81205/07

TruSense BLDC Motor Controller

3.1. Operating Conditions

Parameter	Symbol	min	max	Unit
IC supply voltage	VS	5.0	18	V
Operating ambient temperature	Tamb	-40	+125 (+150) ²	°C

Table 4 – Operating Conditions

3.2. Absolute Maximum Ratings

Parameter	Symbol	Condition	min	max	Unit
IC supply voltage on pins VS, VBAT_S1, VBAT_S2	VS	T = 2 min T < 500 ms ³	-0.3	28	V
	VS.tr1	ISO 7637-2 pulse 1 ⁴ VS=13.5V, TA=(23 ± 5)°C	-100	45	V
	VS.tr2	ISO 7637-2 pulse 2 ⁴ VS=13.5V, TA=(23 ± 5)°C		+75	V
	VS.tr3	ISO 7637-2 pulses 3A, 3B ⁴ VS=13.5V, TA=(23 ± 5)°C	-150	+100	V
	VS.tr5	ISO 7637-2 pulses 5b ⁴ VS=13.5V, TA=(23 ± 5)°C	+65	+87	V
LIN Bus	VLIN	T<500ms	-25	40	V
	VLIN.tr1	ISO 7637-2 pulse 1 ⁵ VS=13.5V, TA=(23 ± 5)°C	-100		
	VLIN.tr2	ISO 7637-2 pulse 2 ⁵ VS=13.5V, TA=(23 ± 5)°C		+75	
	VLIN.tr3	ISO 7637-2 pulses 3A, 3B ⁶ VS=13.5V, TA=(23 ± 5)°C	-150	+100	
Maximum reverse current into any pin ⁷			-10	+10	mA
Maximum sum of reverse currents into all pins ⁷				+10	mA
DC voltage on LVIO pins, OSC<2:1>			-0.3	VDDA+0.3	V
DC voltage on pins HV I/O			-0.3	VS+0.3	V
DC voltage on drivers supply pin VREF			-0.3	18	V

² With temperature applications at TA>125°C a reduction of chip internal power dissipation by using an external supply transistor is mandatory. The extended temperature range is only allowed for a limited period of time, a mission profile has to be agreed by Melexis as a mandatory part of the Part Submission Warrant (PSW).

³ Only allowed, if FET drivers are disabled, i.e. the high-side driver must not be stressed with V(CP) > 45V.

⁴ ISO 7637 test pulses are applied to VS via a reverse polarity diode and >22µF blocking capacitor

⁵ ISO 7637 test pulses are applied to LIN via a coupling capacitance of 1nF

⁶ ISO 7637 test pulses are applied to LIN via a coupling capacitance of 100pF

⁷ Excluding pins HS0, HS1, HS2, U, V, W, LS0, LS1, LS2.

Product Abstract

MLX81205/07

TruSense BLDC Motor Controller

Parameter	Symbol	Condition	min	max	Unit
DC voltage on pin CLKO			-0.3	VREF+0.3	V
DC voltage on drivers control pins LS<2:0>			-0.5 ⁸	VREF+0.3	V
DC voltage on drivers pins CP<2:0>		Voltage on pins CP<2:0> must not exceed 45V.	-0.3	V<U,V,W> + 13	V
DC voltage on drivers pins HS<2:0>		Voltage on pins HS<2:0> must not exceed 45V	-0.5 ^{9 10}	VS + VREF	V
DC voltage on phases related pins U,V,W		Voltage on pins U,V,W must not exceed 36V	-0.5 ^{9 10}	VS+1.5	V
DC voltage on phases related pin T		Voltage on pin T must not exceed 36V	-0.3	VS+1.5	V
Positive dynamic disturbance on pin VBAT_S1 ¹¹	Vpdd	Spdd > 2 V/μs		4.5	V
ESD capability of pin LIN to GND	ESDBUSHB	Human body model ¹²	-6	+6	kV
ESD capability of pin VS to GND	ESDVSHB	Human body model ¹²	-4	+4	kV
ESD capability of any other pins	ESDHB	Human body model ¹²	-2	+2	kV
ESD capability ay any pin	ESDCDM	Charge Device Model ¹³	-500	+500	V
Maximum latch-up free current at any pin	ILATCH		-250	+250	mA
Junction temperature ²	Tvj			+155	°C
Storage temperature	Tstg		-55	+150	°C
Rthjc QFN32 ¹⁴	Rthjc			10	K/W
Rthjc TQFP48 ¹⁴				5.5	

Table 5 – Absolute Maximum Ratings

⁸ During short transient pulses smaller than 1us and while the LS driver is fully connecting the LS pin to GND (i.e. LSI_N_DRV[3:0]=0xF), the voltage on any LS<2:0> pin is allowed: $-1V \leq LS<2:0> \leq -0.5$: if the current flowing out of any LS<2:0> pin does not exceed 75mA. The sum of all currents flowing out of the LS pins during these conditions must not exceed 150mA.

⁹ During short transient pulses smaller than 1us, the voltage on any HS<2:0> pin and any U,V or W pin is allowed: $-1V \leq HS<2:0>, U,V,W \leq -0.5$: if the current flowing out of any pin HS<2:0>, U,V,W does not exceed 50mA.

¹⁰ During short transient pulses smaller than 1us, the sum of all currents flowing out of pins HS<2:0> and U,V,W with $-1V < HS<2:0>, U,V,W < -0.5$ must not exceed 75mA.

¹¹ There might be ripple on the VBAT_S1 pin due to parasitic elements in the supply line. Positive voltage peaks with a slew rate larger than Spdd should be limited to Vpdd (see Device Specification for more details). This only applies if the high side current sensor is switched on.

¹² Equivalent to discharging a 100pF capacitor through a 1.5kΩ resistor conform to AEC-Q100-002 or ESDA/JEDEC JDS-001.

¹³ ESD CDM Test confirm to AEC-Q100-011 or JEDEC22-C101.

¹⁴ Simulated value for low conductance board (JEDEC)

Product Abstract

MLX81205/07

TruSense BLDC Motor Controller

4. Application Examples

The following sections show typical application examples ^[1].

4.1. Sensor-less BLDC Motor Control on the LIN bus or via PWM-Interface

The below application example with MLX81205 realizes a sensor-less control of a BLDC motor via three external power N-FET half bridges, with only a few external components. The high side N-FET driver is built with a bootstrap output stage. Reverse polarity protection of the bridge is realized with an external power N-FET. An external temperature sensor is connected to the 10 bit ADC via pin IO1. The integrated window watchdog is monitoring application integrity. The communication interface can be either LIN or PWM interface. Pins LIN and IOHV can be used as wake-up sources and furthermore pin LIN will be also used to program the Flash memory.

^[1]The application examples are principal application schematics only. The details need to be worked out for each application schematic separately depending on the application requirements.

Product Abstract

MLX81205/07

TruSense BLDC Motor Controller

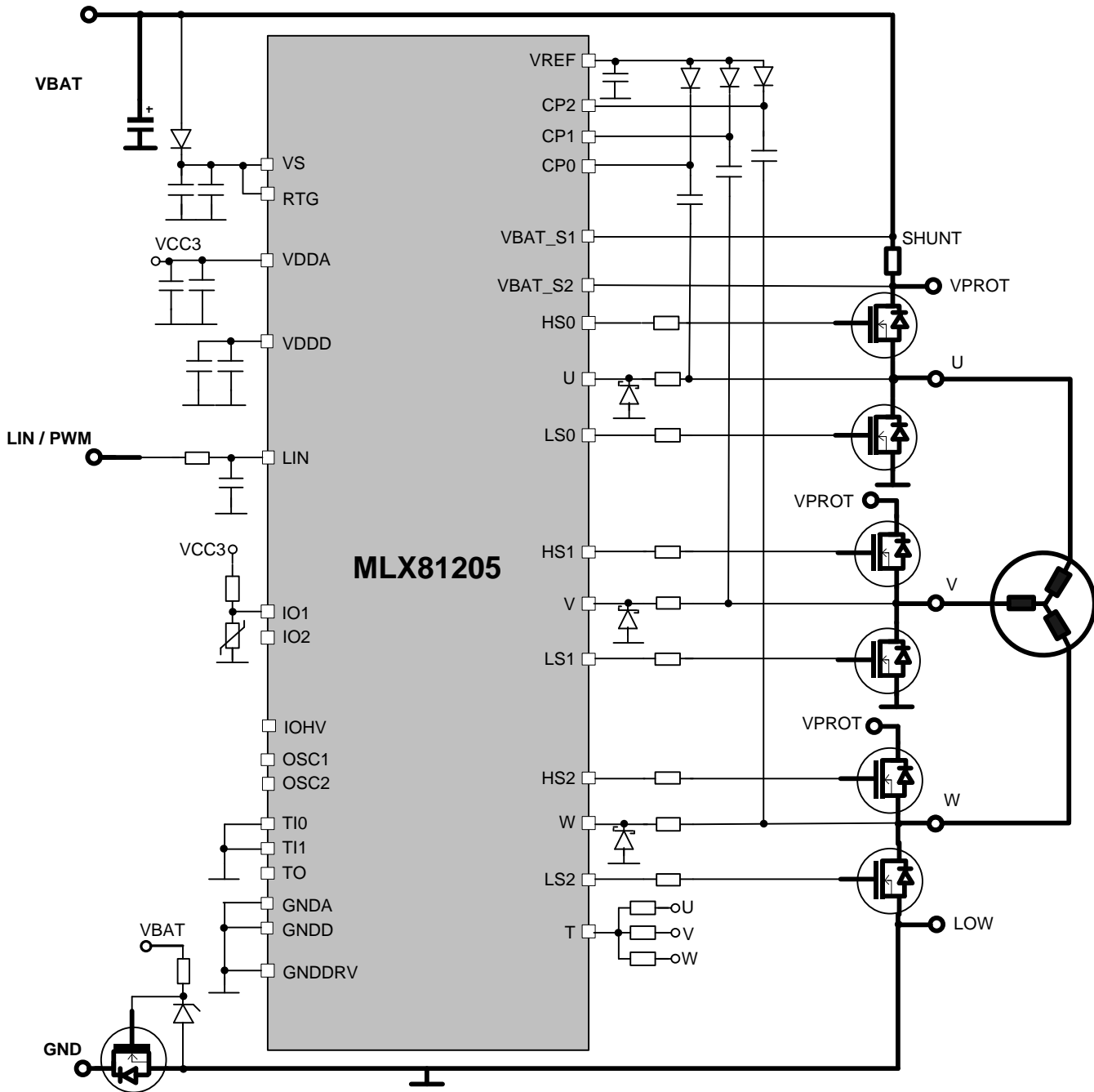


Figure 2: Sensor-less BLDC Motor Control with MLX81205

The motor currents are measured by a shunt resistor in battery path. In case current exceeds the programmed threshold, the bridge can be switched off automatically without software interaction and in addition a software interrupt can be generated. The motor current can also be measured by the 10 bit ADC.

The patented Melexis TruSense technology combines two methods to determine the rotor position:

- The measurement of the induced BEMF voltage at medium and high speeds.
- The measurement of position depending on coil inductance variations at stand-still and low speeds.

Product Abstract

MLX81205/07

TruSense BLDC Motor Controller

As a result TruSense allows operation of the motor in the widest dynamic speed range. The motor can be driven with block, trapezoidal or sine-wave currents. The motor start-up can be made independent of the load conditions according to the application requirements. In this example application the motor star point is not available. It is modelled with external resistors from the motor phases and connected to T input. Alternatively an artificial IC internal reference point can be chosen as shown in the block diagram of the MLX81205/07.

4.2. Sensor-less BLDC Motor Control with LIN Bus or via PWM Interface with reverse polarity protection in the battery path

In the following sample application MLX81207 has been selected in order to benefit from the external high side reverse polarity protection possibility. All other remarks from the previous application example remain valid.

Product Abstract

MLX81205/07

TruSense BLDC Motor Controller

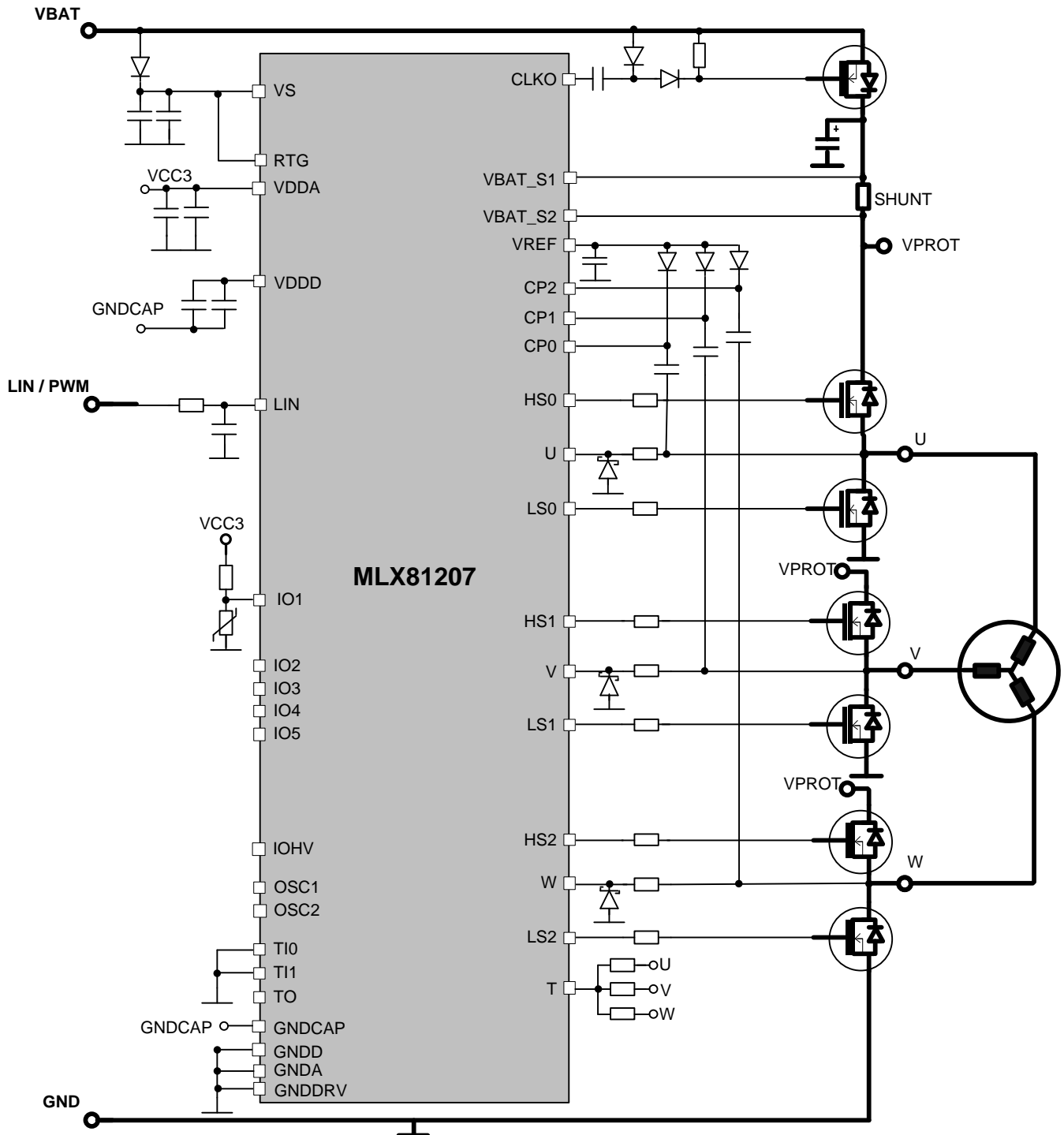


Figure 3: Typical Sensor-less BLDC Motor Control Application Example with MLX81207

Product Abstract

MLX81205/07

TruSense BLDC Motor Controller

4.3. Sensor based BLDC Motor Control

In sample application below, the chip MLX81207 is driving a BLDC motor with 3 Hall sensors. An external P-FET is used to generate the 3.3V supply with a higher current capability in order to keep the power dissipation outside of the MLX81207 IC.

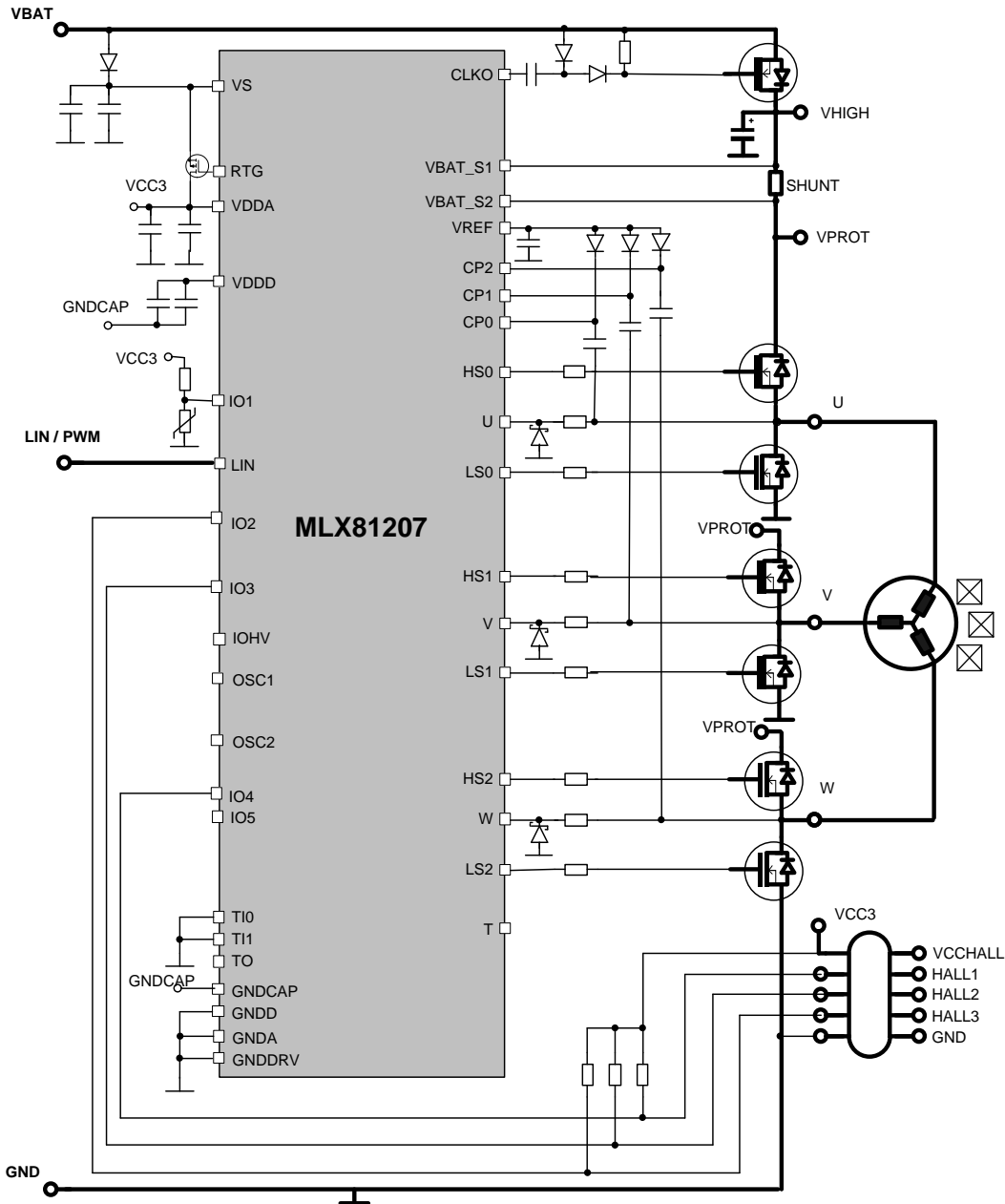


Figure 4: Typical Sensor based BLDC Motor Control Application Example with MLX81207

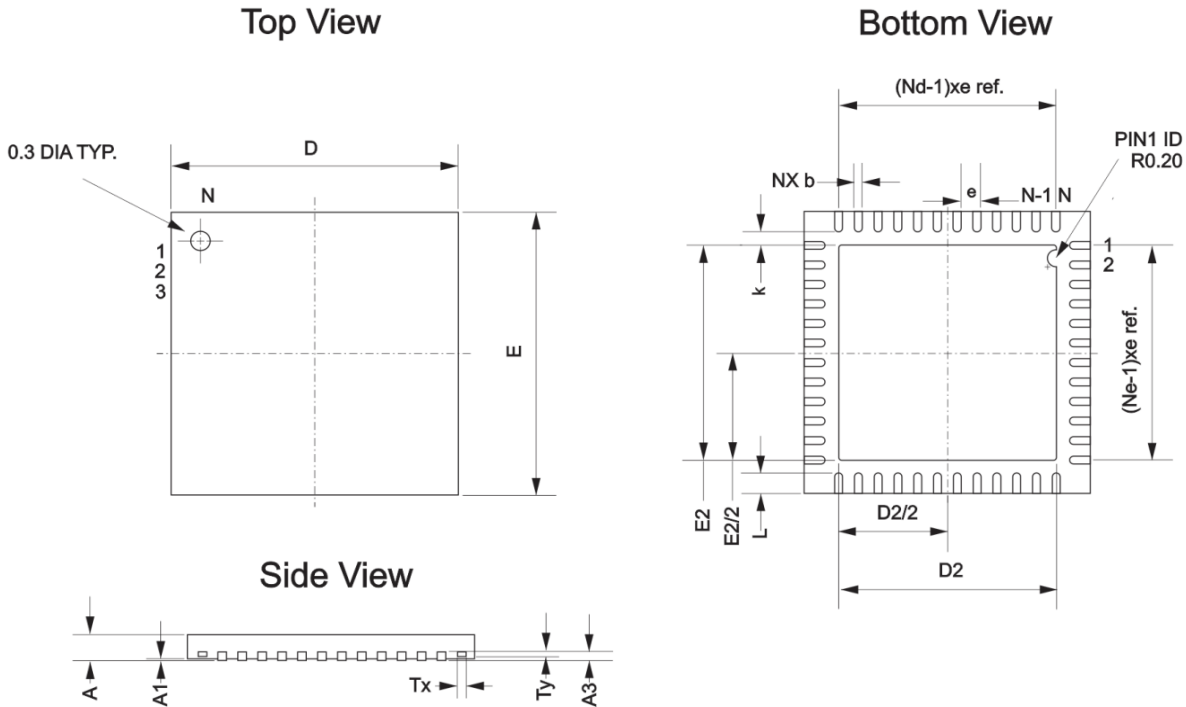
Product Abstract

MLX81205/07

TruSense BLDC Motor Controller

5. Mechanical Specification 15

5.1. QFN Package (32 leads)



Symbol ¹⁶	A	A1	A3	b	D	D2	E	E2	e	L	Tx	Ty	N ¹⁷	Nd ¹⁸	Ne ¹⁸
Min	0.80	0.00		0.18		3.50		3.50		0.35					
Nom	0.90	0.02	0.20	0.25	5.00	3.60	5.00	3.60	0.50	0.40	0.16	0.10	32	8	8
Max	1.00	0.05		0.30		3.70		3.70		0.45					

Figure 5: QFN Package Drawing(QFN32_WF 5x5)

5.2. TQFP package (48 leads)

	A	A1	A2	b	b1	D	D1	D2	E	E1	E2	e	L	N	ccc	ddd
Min	-	0.05	0.95	0.17	0.17								0.45		-	-
Nom	-	-	1.00	0.22	0.20	9.00	7.00	5.00	9.00	7.00	5.00	0.50	0.60	48	-	-
Max	1.20	0.15	1.05	0.27	0.23								0.75		0.08	0.08

¹⁵ Dimensions and tolerances conform to ASME Y14.5M-1994

¹⁶ Dimensions in millimeters, angles in degrees

¹⁷ N is the total number of terminals

¹⁸ ND and NE refer to number of terminals on each D and E side respectively.

Product Abstract

MLX81205/07

TruSense BLDC Motor Controller

Notes:

1. All Dimensioning and Tolerances conform to ASME Y14.5M-1994,
- Δ2. Datum Plane [-|-|-] located at Mould Parting Line and coincident with Lead, where Lead exists, plastic body at bottom of parting line.
- Δ3. Datum [A-B] and [-D-] to be determined at centreline between leads where leads exist, plastic body at datum plane [-|-|-]
- Δ4. To be determined at seating plane [-C-]
- Δ5. Dimensions D1 and E1 do not include Mould protrusion. Dimensions D1 and E1 do not include mould protrusion. Allowable mould protrusion is 0.254 mm on D1 and E1 dimensions.
6. 'N' is the total number of terminals
- Δ7. These dimensions to be determined at datum plane [-|-|-]
8. Package top dimensions are smaller than bottom dimensions and top of package will not overhang bottom of package.
- Δ9. Dimension b does not include dam bar protrusion, allowable dam bar protrusion shall be 0.08mm total in excess of the "b" dimension at maximum material condition, dam bar can not be located on the lower radius of the foot.
10. Controlling dimension millimetre.
11. maximum allowable die thickness to be assembled in this package family is 0.38mm
12. This outline conforms to JEDEC publication 95 Registration MS-026, Variation ABA, ABC & ABD.
- Δ13. A1 is defined as the distance from the seating plane to the lowest point of the package body.
- Δ14. Dimension D2 and E2 represent the size of the exposed pad. The actual dimensions are specified in bonding diagram, and are independent from die size.
15. Exposed pad shall be coplanar with bottom of package within 0.05.

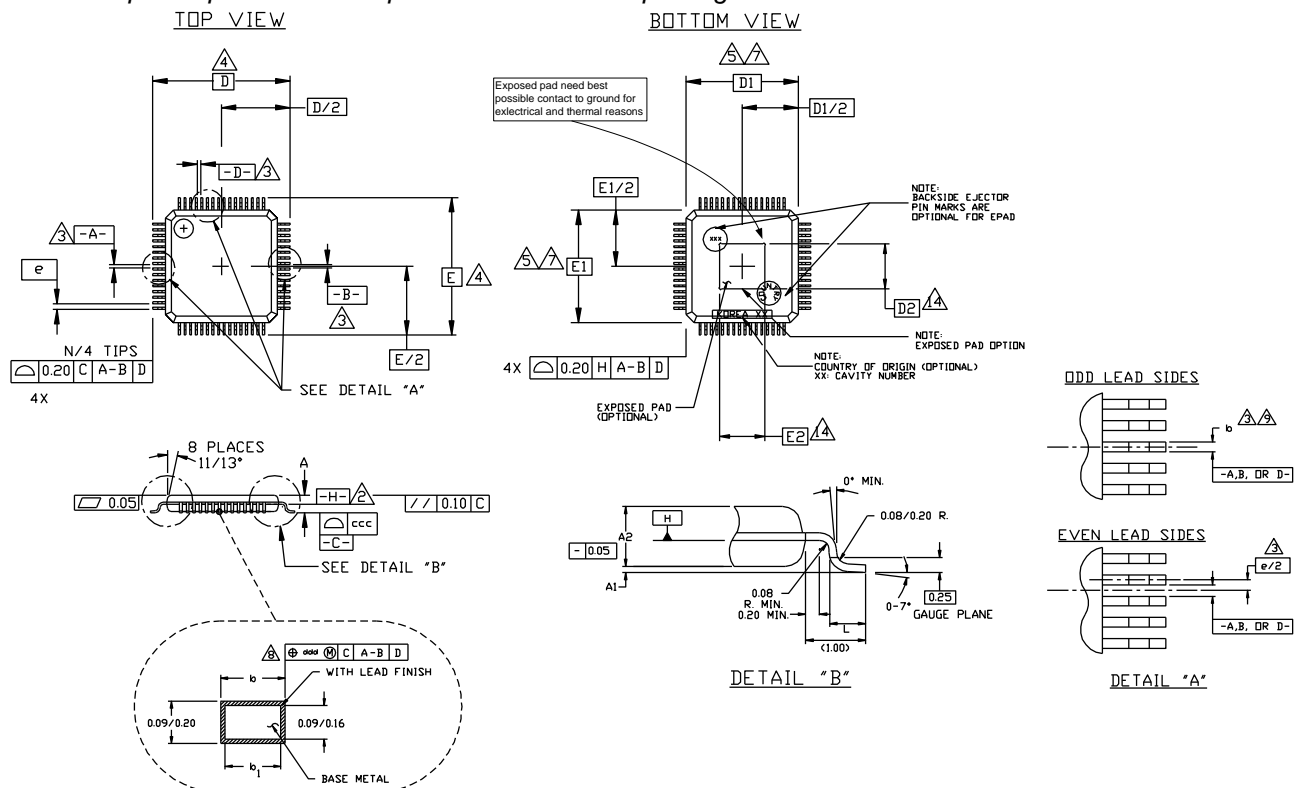


Figure 6: TQFP 7x7 Drawing(TQFP EP 48 7x7)

Product Abstract

MLX81205/07

TruSense BLDC Motor Controller

5.3. Marking MLX81205/07

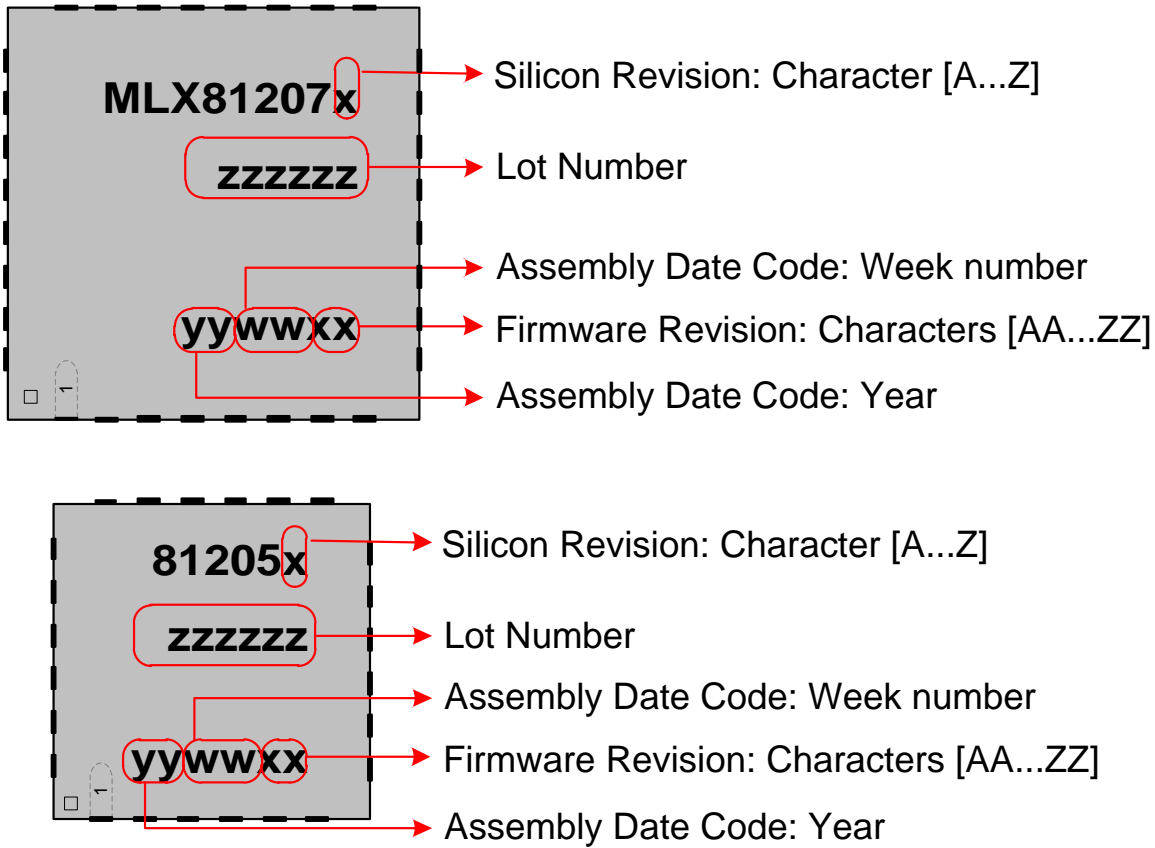


Figure 7: Marking Code

Product Abstract

MLX81205/07

TruSense BLDC Motor Controller

6. Assembly Information

This Melexis device is classified and qualified regarding soldering technology, solder ability and moisture sensitivity level, as defined in this specification, according to following test methods:

- IPC/JEDEC J-STD-020
Moisture/Reflow Sensitivity Classification For No hermetic Solid State Surface Mount Devices (classification reflow profiles according to table 5-2)
- EIA/JEDEC JESD22-A113
Preconditioning of No hermetic Surface Mount Devices Prior to Reliability Testing (Reflow profiles according to table 2)
- CECC00802
Standard Method For The specification of Surface Mounting Components (SMD's) of Assessed Quality
- EIA/JEDEC JESD22-B106
Resistance to soldering temperature for through-hole mounted devices
- EN60749-15
Resistance to soldering temperature for through-hole mounted devices
- MIL 883 Method 2003 / EIA/JEDEC JESD22-B102
Solder ability

For all soldering technologies deviating from above mentioned standard conditions (regarding peak temperature, temperature gradient, temperature profile etc) additional classification and qualification tests have to be agreed upon with Melexis. The application of Wave Soldering for SMD's is allowed only after consulting Melexis regarding assurance of adhesive strength between device and board.

Based on Melexis commitment to environmental responsibility, European legislation (Directive on the restriction of the use of certain hazardous substances, RoHS) and customer requests, Melexis has installed a roadmap to qualify their package families for lead free processes also. Various lead free generic qualifications are running, current results on request.

For more information on Melexis lead free statement see quality page at our website:
<http://www.melexis.com/html/pdf/MLXleadfree-statement.pdf>

7. Disclaimer

The product abstract just provides an overview of the described devices. Please consult the complete product specification/datasheet in its latest revision for any detailed information.

Devices sold by Melexis are covered by the warranty and patent indemnification provisions appearing in its Term of Sale. Melexis makes no warranty, express, statutory, implied, or by description regarding the information set forth herein or regarding the freedom of the described devices from patent infringement. Melexis reserves the right to change specifications and prices at any time and without notice. Therefore, prior to designing this product into a system, it is necessary to check with Melexis for current information. This product is intended for use in normal commercial applications. Applications requiring extended temperature range, unusual environmental requirements, or high reliability applications, such as military, medical life-support or life-sustaining equipment are specifically not recommended without additional processing by Melexis for each application.

The information furnished by Melexis is believed to be correct and accurate. However, Melexis shall not be liable to recipient or any third party for any damages, including but not limited to personal injury, property damage, loss of profits, loss of use, interrupt of business or indirect, special incidental or consequential damages, of any kind, in connection with or arising out of the furnishing, performance or use of the technical data herein. No obligation or liability to recipient or any third party shall arise or flow out of Melexis' rendering of technical or other services.

© 2017 Melexis NV. All rights reserved.

Product Abstract

MLX81205/07

TruSense BLDC Motor Controller

For the latest version of this document, go to our website at

www.melexis.com

Or for additional information contact Melexis Direct:

Europe, Africa, Asia:

America:

Phone: +32 1367 0495

Phone: +1 248 306 5400

E-mail: sales_europe@melexis.com

E-mail: sales_usa@melexis.com

ISO/TS16949 and ISO14001 Certified