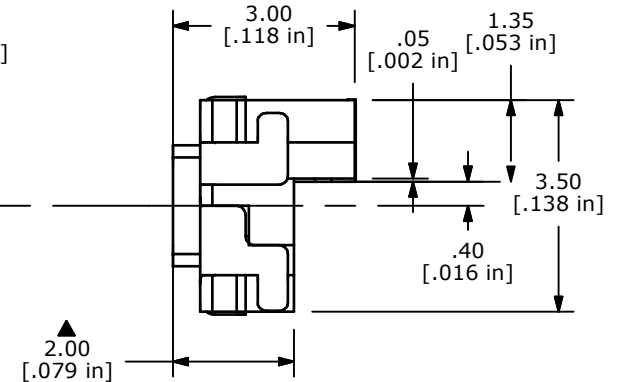
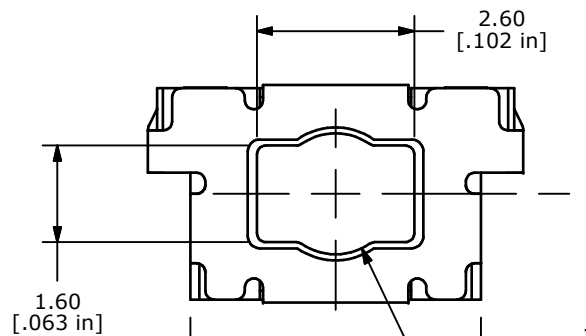
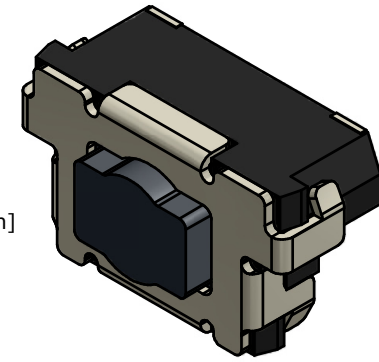
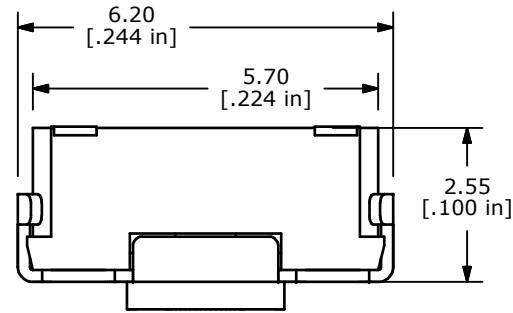
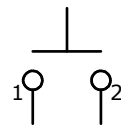


P.C.B. LAYOUT

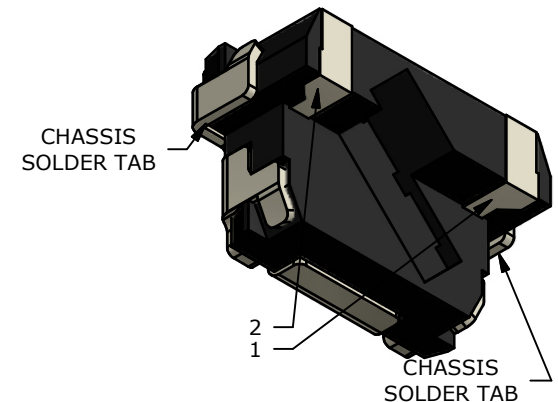
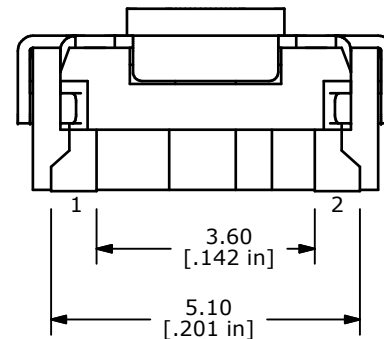


NOTES

1. ALL DIMENSIONS IN MM [INCH]
2. GENERAL TOLERANCE: X.X=±0.4
X.XX=±0.25
3. TERMINAL NUMBERS FOR REF. ONLY.
- ▲ 4. OPERATING FORCE: 120±50gf
5. OPERATING LIFE: 1,000,000 CYCLES
6. TRAVEL: 0.15±0.1mm
- ▲ 7. CONTACT RATING: 12 VDC, 50mA
8. CONTACT RESISTANCE: 100m Ω MAX INITIAL
9. INSULATION RESISTANCE: 100M Ω MIN. @ 500 VDC
10. BOUNCE MAX: 10m SEC MAX
11. DIELECTRIC STRENGTH: 250 VAC FOR 1 MINUTE
12. OPERATING TEMPERATURE: -40°C TO 85°C
13. STORAGE TEMPERATURE: -40°C TO 85°C
14. PACKAGING: REEL 2000 PCS. PER
15. ▲ DENOTES CRITICAL PARAMETER
16. 2002/95/EC (ROHS) COMPLIANT



CIRCUIT: SPST



B	20956	ADD CIRCUIT SCHEMATIC	1/8/13	EBP
A	19858	RELEASE TO PRODUCTION	04/18/11	RC
REV	PCR NO	DESCRIPTION	DATE	BY

THE INFORMATION CONTAINED IN THIS DOCUMENT IS PROPRIETARY TO E-SWITCH AND IS NOT TO BE COPIED OR TRANSFERRED

TITLE TL4100AF120QG				
SCALE	DATE	DR	DWG	REV
8 = 1	4/18/2011	rc	P004000	B