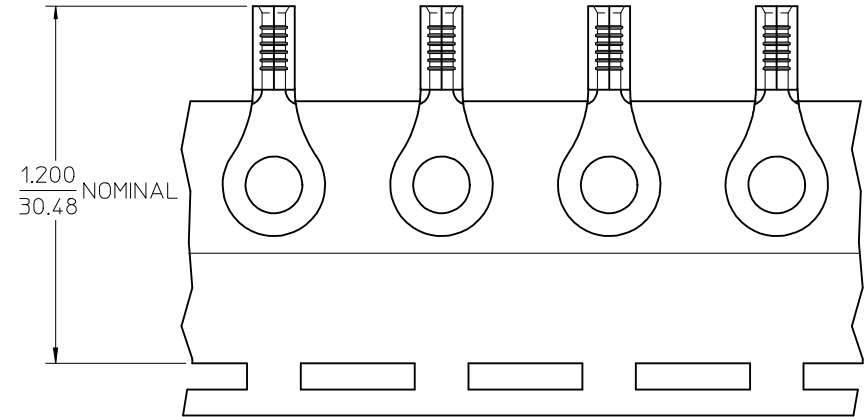
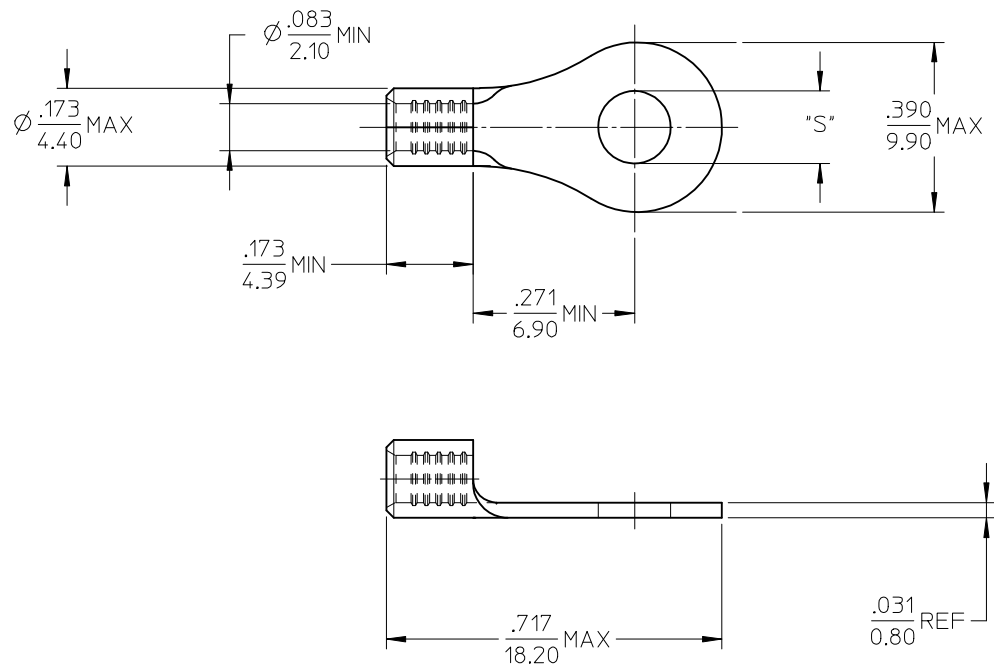


MATERIAL NO.	ENG. NO.	STUD SIZE	"S" MAX	DESCRIPTION
192030470	B-S-137-08	8	.185/4.70	LOOSE
192030050	B-S-137-08T	8	.185/4.70	TAPE



PARTS ON TAPE

NOTE(S):

1. MATERIAL: STEEL
2. FINISH: NICKEL PLATED
3. WIRE SIZE: 16-14 AWG (1.5-2.5 MM<sup>2</sup>)
4. PART IS ROHS COMPLIANT.
5. AMBIENT OPERATING TEMPERATURE UP TO 900 °F (483 °C).

ADDED OPERATING TEMP EC NO: ETC2007-0297 DRW: JHEHILLE 2007/03/13 CHKD: JMACNEIL 2007/03/13 APPR: JMACNEIL 2007/03/14	QUALITY SYMBOLS ▽=0 ▽=0	GENERAL TOLERANCES (UNLESS SPECIFIED)		DIMENSION STYLE IN/MM		SCALE 4:1	DESIGN UNITS INCH	THIRD ANGLE PROJECTION		
		4 PLACES ± --- ± ---	3 PLACES ± --- ± .005	2 PLACES ± 0.13 ± .01	1 PLACE ± 0.25 ± ---	DRAWN BY DMYRICK	DATE 2005/04/05	TITLE <b>RING TONGUE TERMINAL,          16-14 AWG, KRIMPTITE,          900 DEG F (483 DEG C)</b>		
		ANGULAR ± 1/2°				CHECKED BY RDEROSS	DATE 2005/04/05			
		DRAFT WHERE APPLICABLE MUST REMAIN WITHIN DIMENSIONS				APPROVED BY RDEROSS	DATE 2005/04/05	MOLEX INCORPORATED DOCUMENT NO. SD-19203-023		SHEET NO. 1 OF 1