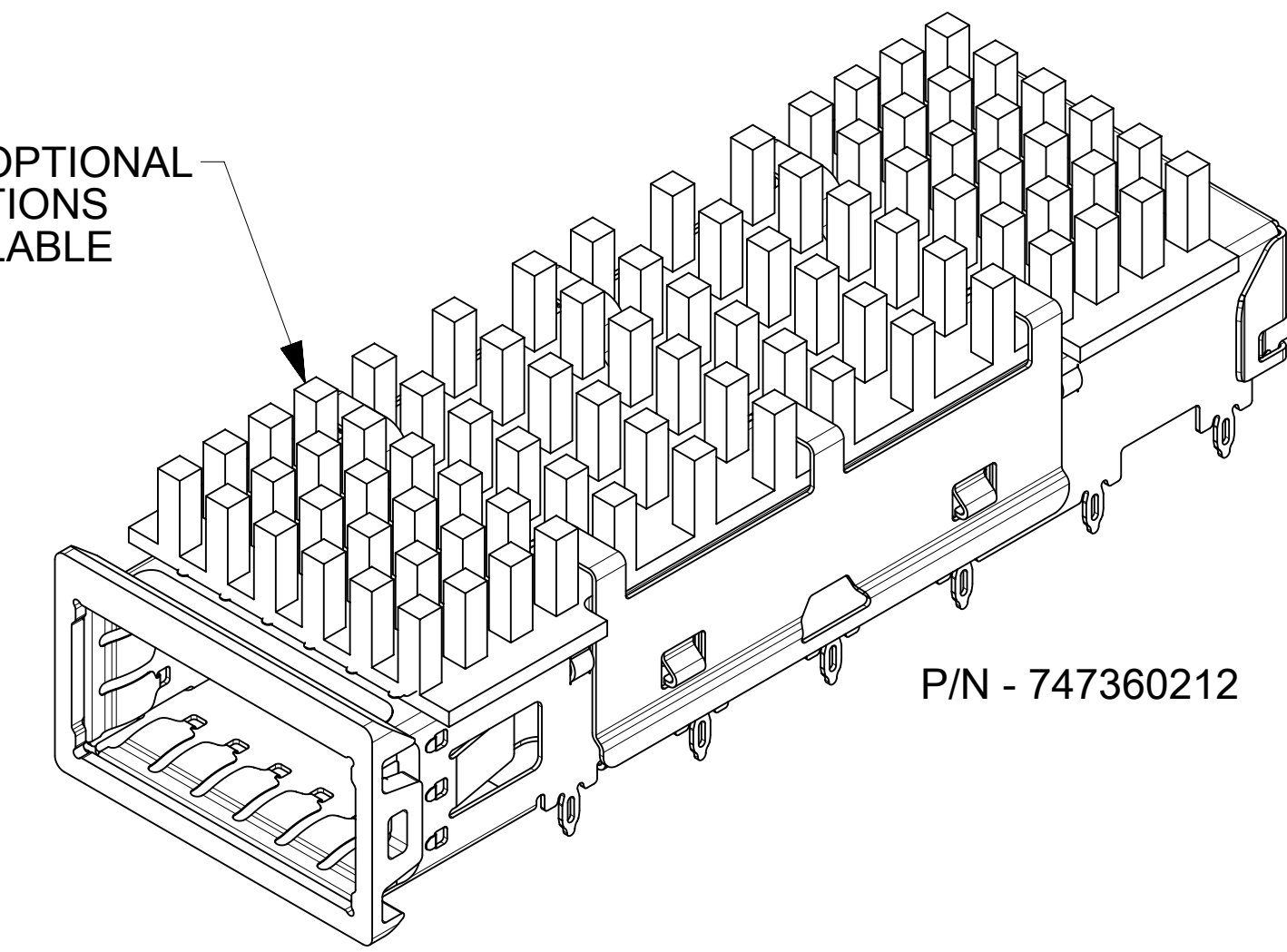
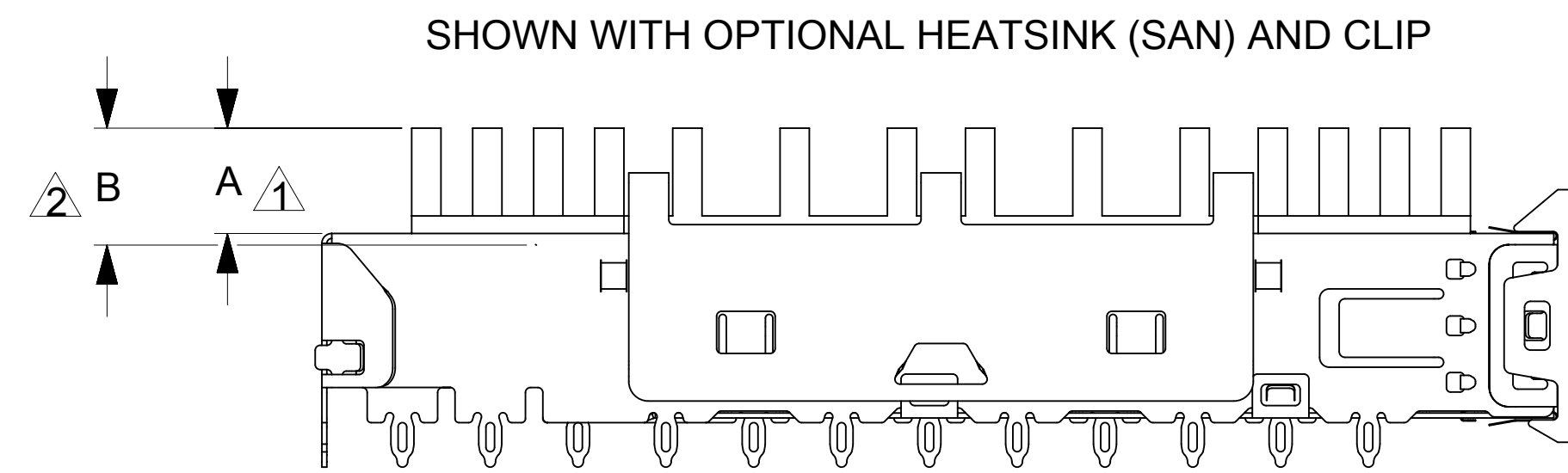
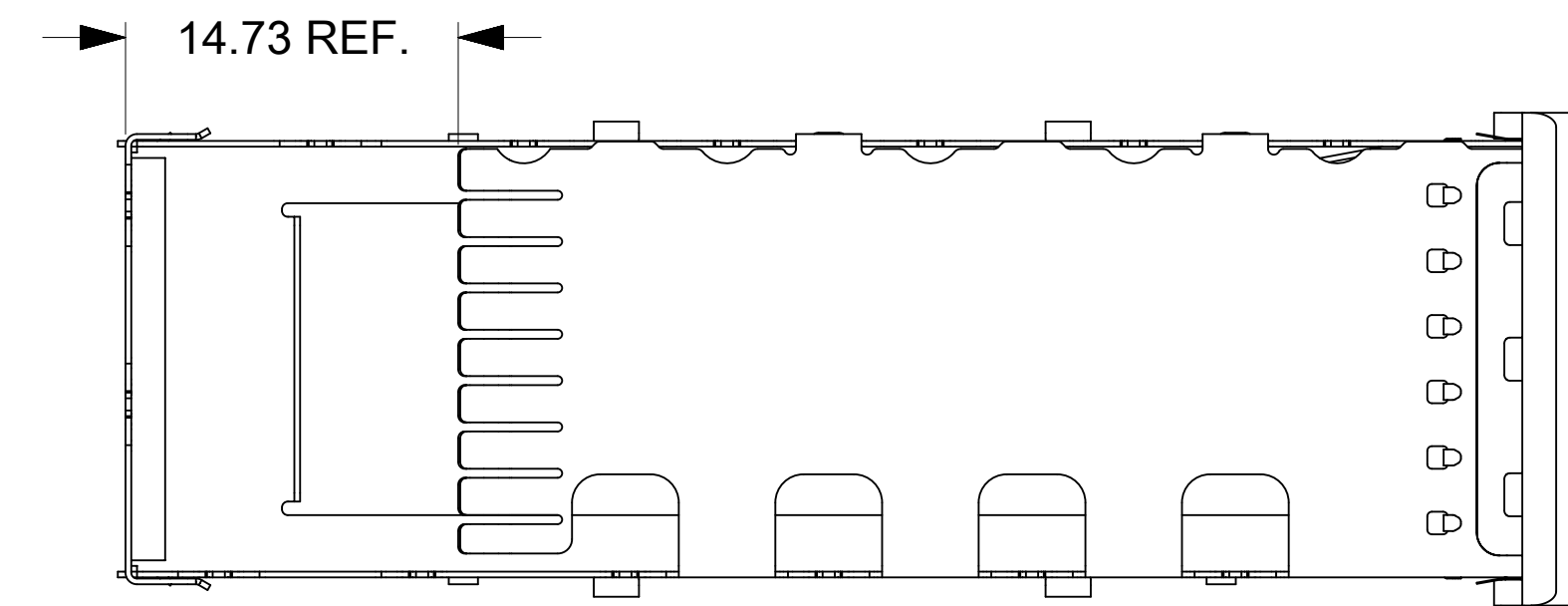
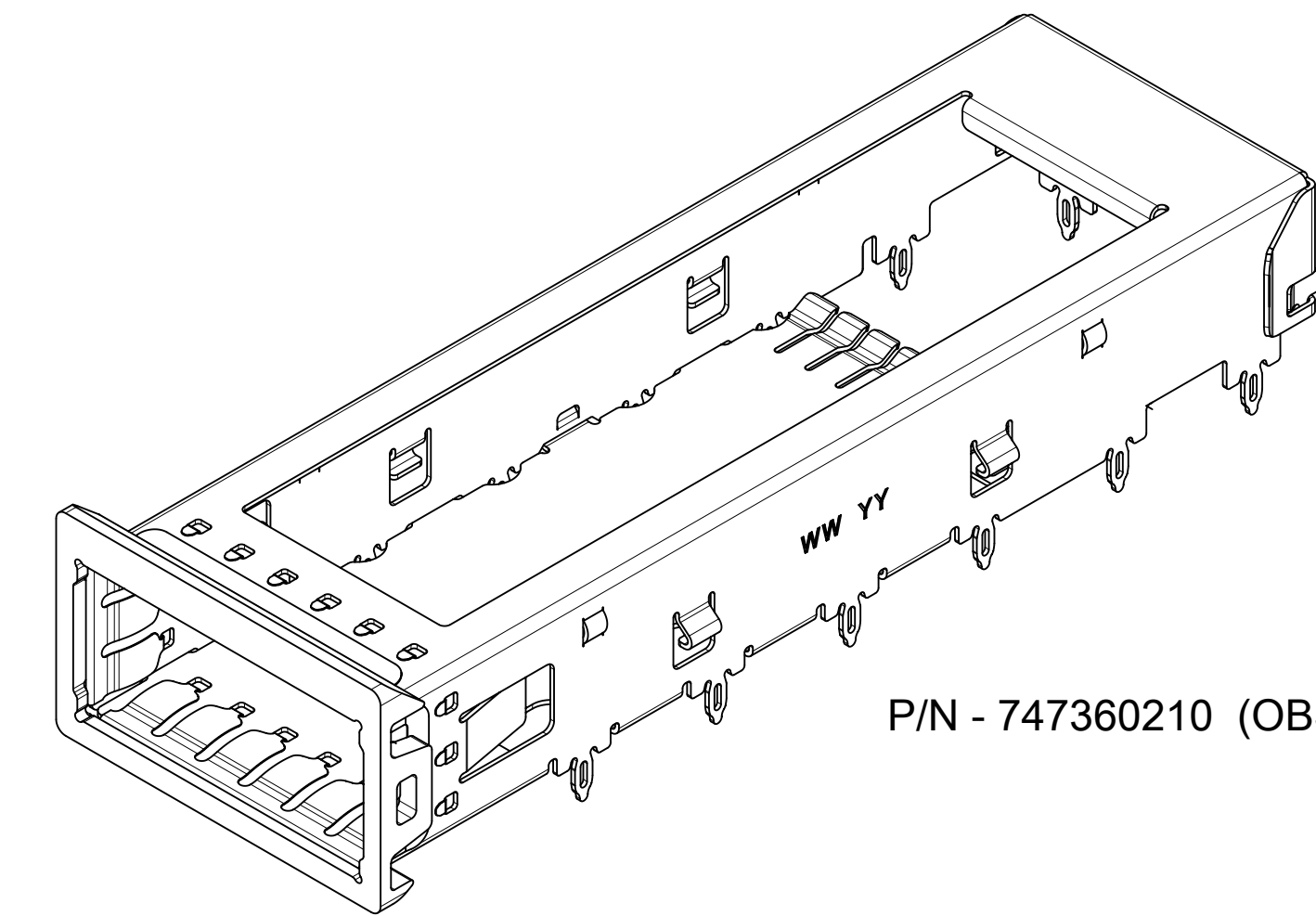
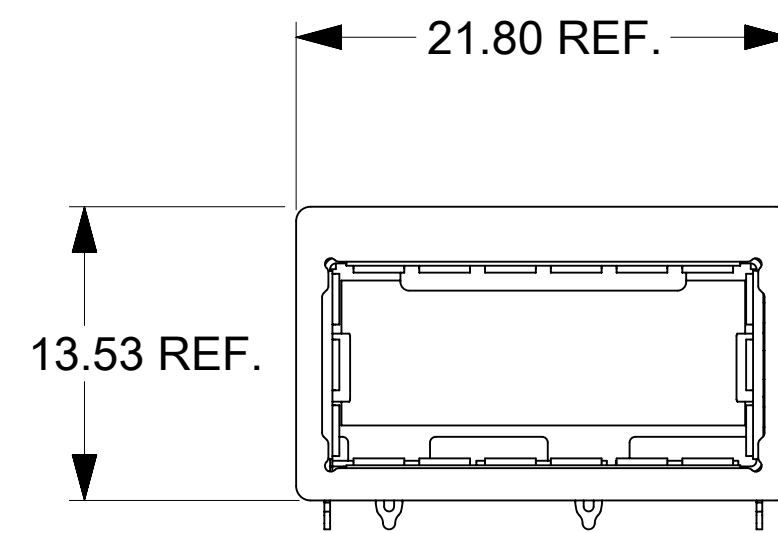
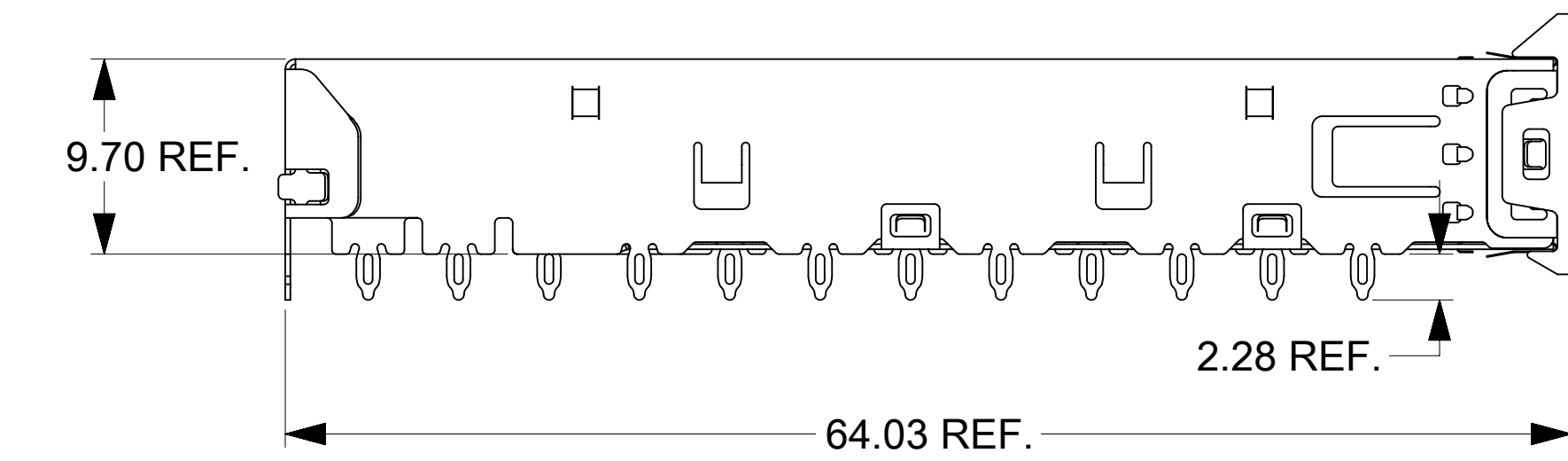


PARTIAL A  
SCALE 3:1



HEATSINK SINK AND CLIP ARE OPTIONAL  
SEE CHART FOR HEATSINK OPTIONS  
CUSTOM HEATSINKS ARE AVAILABLE



SHOWN WITH OPTIONAL HEATSINK (SAN) AND CLIP

- 1 MAXIMUM HEIGHT OF HEATSINK WITH MODULE INSERTED
- 2 OVERALL HEIGHT OF HEATSINK
- 3. OTHER HEATSINK DESIGNS ARE AVAILABLE INCLUDING CUSTOM DESIGNS

| PART NUMBER FOR XFP CAGE ASSEMBLY & PARTS (W/OUT ELASTOMER EMI GASKET) |       |       |                                    |             |                             |
|--|-------|-------|------------------------------------|-------------|-----------------------------|
| P/N  | DIM A | DIM B | DESCRIPTION                        | POWER LEVEL | THERMAL RESISTANCE @200 LFM |
| 747360211  | 4.0   | 4.2   | XFP CAGE WITH PCI HEATSINK         | UP TO 1.5W  | <18.0 C/W                   |
| 747360212  | 6.3   | 6.5   | XFP CAGE WITH SAN HEATSINK (SHOWN) | UP TO 2.5W  | <11.5 C/W                   |
| 747360213  | 13.3  | 13.5  | XFP CAGE WITH TALL HEATSINK        | UP TO 3.5W  | <8.0 C/W                    |
| 747360230  | N/A   | N/A   | HEATSINK CLIP ONLY                 | N/A         | N/A                         |
| 747360240  | N/A   | N/A   | PCI HEATSINK ONLY                  | UP TO 1.5W  | <18.0 C/W                   |
| 747360241  | N/A   | N/A   | SAN HEATSINK ONLY                  | UP TO 2.5W  | <11.5 C/W                   |
| 747360242  | N/A   | N/A   | TALL HEATSINK ONLY                 | UP TO 3.5W  | <8.0 C/W                    |

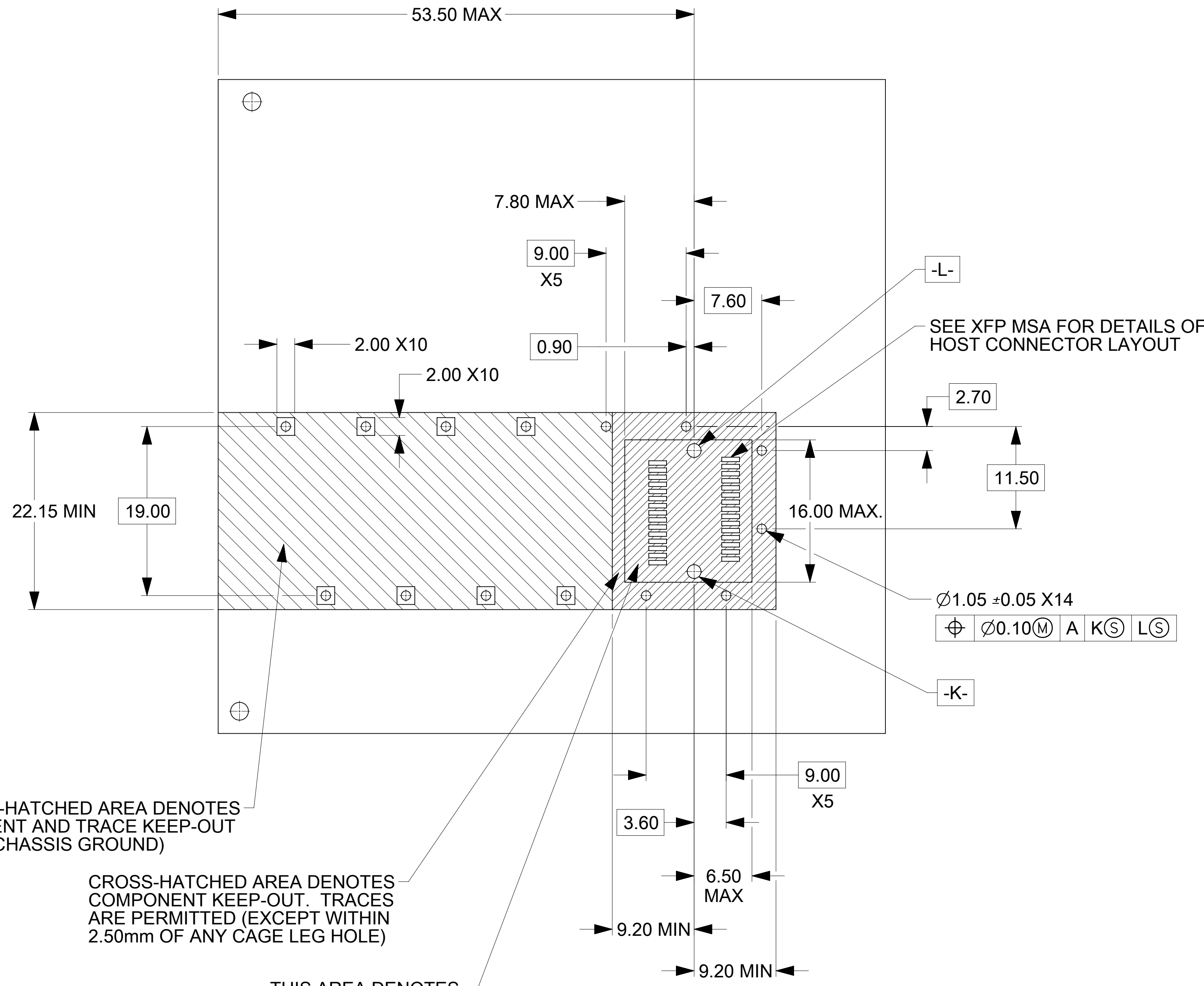
|   |        |                   |                   |                 |  |
|---|--------|-------------------|-------------------|-----------------|--|
| THIS DRAWING CONTAINS INFORMATION THAT IS PROPRIETARY TO MOLEX ELECTRONIC TECHNOLOGIES, LLC AND SHOULD NOT BE USED WITHOUT WRITTEN PERMISSION |        |                   |                   |                 |  |
| DIMENSION UNITS   | SCALE  | CURRENT REV DESC: |                   |                 |  |
| mm  | 3:1    |                   |                   |                 |  |
| GENERAL TOLERANCES (UNLESS SPECIFIED)   |        |                   |                   |                 |  |
|   | MM     | INCH              |                   |                 |  |
| 4 PLACES  | ±      | ±                 | EC NO: 624461     |                 |  |
| 3 PLACES  | ±      | ±                 | DRWN: AKUMAR19    | 2019/02/04      |  |
| 2 PLACES  | ± 0.1  | ±                 | CHK'D: GGA        | 2019/10/17      |  |
| 1 PLACE   | ± 0.25 | ±                 | APPR: GGA         | 2019/10/17      |  |
| 0 PLACES  | ±      | ±                 | INITIAL REVISION: |                 |  |
| ANGULAR TOL ± 1.0°  |        | DRWN: KLLOYD      |                   | 2004/12/02      |  |
| DRAFT WHERE APPLICABLE MUST REMAIN WITHIN DIMENSIONS  |        | APPR: RMAHMOOD    |                   | 2010/11/09      |  |
| THIRD ANGLE PROJECTION  |        | DRAWING           |                   | SERIES          |  |
| D-SIZE  |        | 74736             |                   | MATERIAL NUMBER |  |
| SEE TABLE   |        | GENERAL MARKET    |                   | SHEET NUMBER    |  |
| 1 OF 2  |        |                   |                   |                 |  |

**molex**

XFP CAGE ASSEMBLY  
WITHOUT ELASTOMER EMI GASKET

PRODUCT CUSTOMER DRAWING

|                 |          |          |          |
|-----------------|----------|----------|----------|
| DOCUMENT NUMBER | DOC TYPE | DOC PART | REVISION |
| SD-74736-210    | PSD      | 001      | C        |

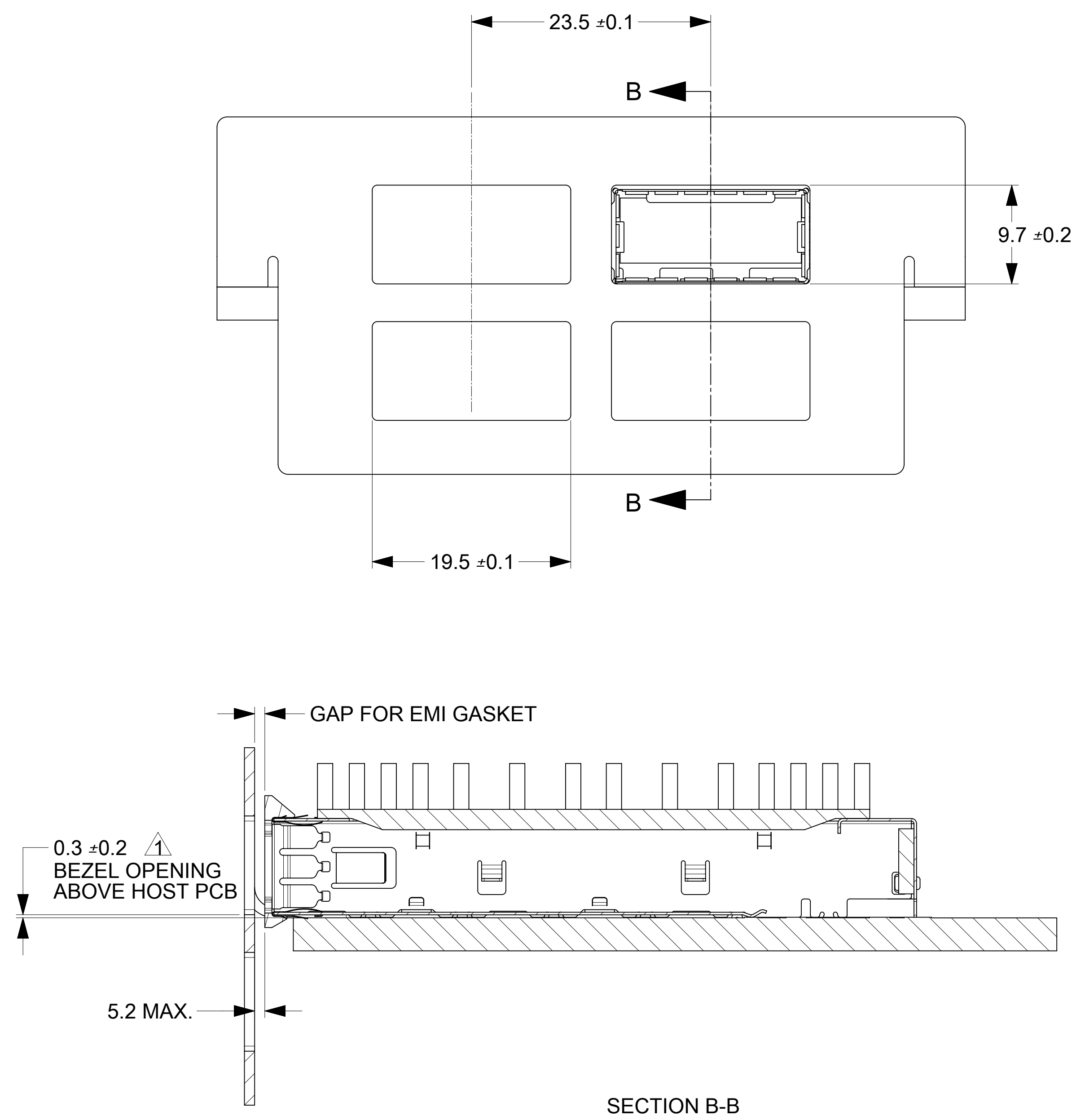


CROSSED-HATCHED AREA DENOTES COMPONENT AND TRACE KEEP-OUT (EXCEPT CHASSIS GROUND)

CROSS-HATCHED AREA DENOTES COMPONENT KEEP-OUT. TRACES ARE PERMITTED (EXCEPT WITHIN 2.50mm OF ANY CAGE LEG HOLE)

THIS AREA DENOTES COMPONENT KEEP-OUT (TRACES ALLOWED)

$\triangle$  FOR PCI APPLICATIONS RECOMMENDED DIMENSION IS 0.4 ±0.1



SECTION B-B

THIS DRAWING CONTAINS INFORMATION THAT IS PROPRIETARY TO MOLEX ELECTRONIC TECHNOLOGIES, LLC AND SHOULD NOT BE USED WITHOUT WRITTEN PERMISSION

|  |       |                        |                           |
|--|-------|------------------------|---------------------------|
| DIMENSION UNITS                                      | SCALE | CURRENT REV DESC:      |                           |
| mm   | 3:1   |                        |                           |
| GENERAL TOLERANCES (UNLESS SPECIFIED)                |       | EC NO: 624461          |                           |
|  | MM    | INCH                   |                           |
| 4 PLACES   | ±     | ±                      | DRWN: AKUMAR19 2019/02/04 |
| 3 PLACES   | ±     | ±                      | CHK'D: GGA 2019/10/17     |
| 2 PLACES   | ±     | 0.1                    | APPR: GGA 2019/10/17      |
| 1 PLACE  | ±     | 0.25                   | INITIAL REVISION:         |
| 0 PLACES   | ±     | ±                      | DRWN: KLLOYD 2004/12/02   |
| ANGULAR TOL  | ±     | 1.0 °                  | APPR: RMAHMOOD 2010/11/09 |
| DRAFT WHERE APPLICABLE MUST REMAIN WITHIN DIMENSIONS |       | THIRD ANGLE PROJECTION | DRAWING SERIES            |
|  |       |                        | D-SIZE 74736              |

|   |                |              |          |
|---|----------------|--------------|----------|
| <b>molex</b>                                      |                |              |          |
| XFP CAGE ASSEMBLY<br>WITHOUT ELASTOMER EMI GASKET |                |              |          |
| PRODUCT CUSTOMER DRAWING                          |                |              |          |
| DOCUMENT NUMBER                                   | DOC TYPE       | DOC PART     | REVISION |
| SD-74736-210                                      | PSD            | 001          | C        |
| MATERIAL NUMBER                                   | CUSTOMER       | SHEET NUMBER |          |
| SEE TABLE   | GENERAL MARKET | 2 OF 2       |          |