

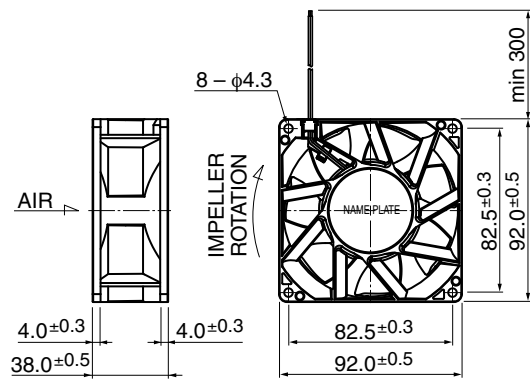
09238RA (D-Type)

DC Axial Fan

92[□]X38^L



Outline



* Outline is E (Flange) type.

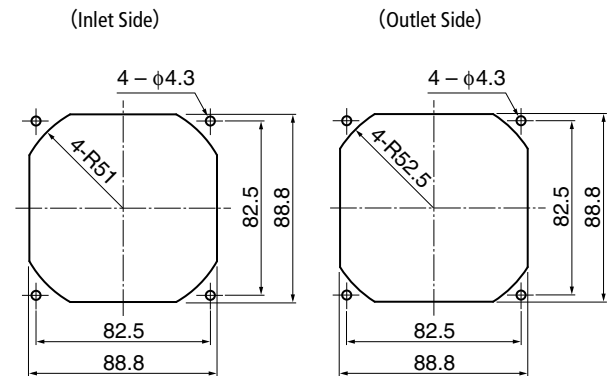
General Specifications

Motor Protection	Auto Restart / Polarity Protection
Insulation Resistance	10MΩ or over with a DC500V Megger
Dielectric Withstand Voltage	: AC700V 1s
Allowable Ambient Temperature Range	: - 10°C ~ + 70°C (Operating) - 40°C ~ + 70°C (Storage)
	non-condensing environment

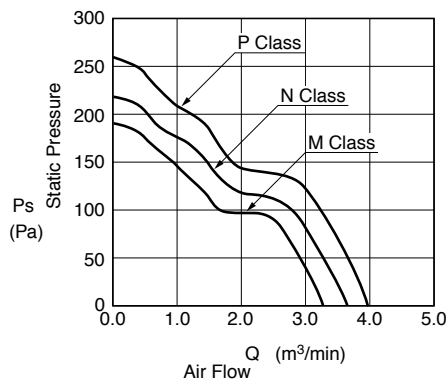
Expected Life ※ Failure Rate: 10% (L10 Life)

25°C 100,000 (Hours)

Panel Out-cuts



Characteristic Curves



Material

Casing	: Plastic (Black) UL94V-0
Impeller	: Plastic (Black) UL94V-0
Bearing	: Ball Bearing
Lead Wire	: UL3385 AWG26 + : Red, - : Black

Customize service for IP compatible type and Oil-proof type is available for this item. Please contact to our sales representative for more detail.

Specifications

□ = Casing Form --- A: Rib Type, E: Flange Type

Model	Product No.	Rating Voltage	Operating Voltage	Current	Input Power	Speed	Max. Air Flow		Max. Static Pressure	Noise	Mass	
		(V)	(V)	(A) ^{*1}	(W) ^{*1}	(min ⁻¹) ^{*1}	(m ³ /min) ^{*1}	(CFM) ^{*1}	(Pa) ^{*1}	(In H ₂ O) ^{*1}	(dB) ^{*1}	(g)
09238RA-24M-□AD-	0	24	14.0 ~ 27.6	0.56	13.44	5700	3.36	118.6	187	0.75	57.0	230
09238RA-24N-□AD-	0			0.71	17.04	6200	3.68	129.9	222	0.89	59.0	
09238RA-24P-□AD-	0			0.92	22.08	6700	4.00	141.2	260	1.04	61.0	

Rotation: Clockwise as seen from the label side
Airflow Outlet: Label side

*1: Average Values in Free Air