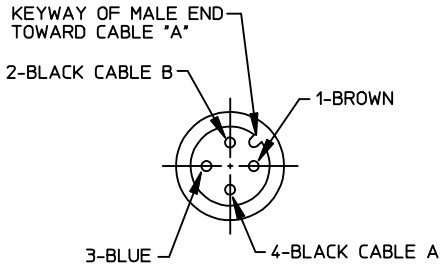
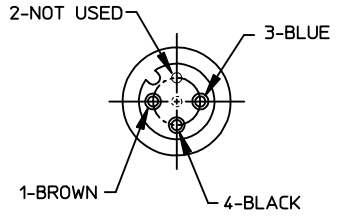
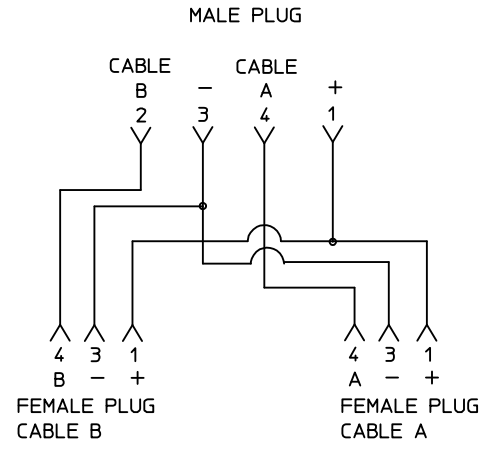


FRONT VIEW - FEMALE INSERT

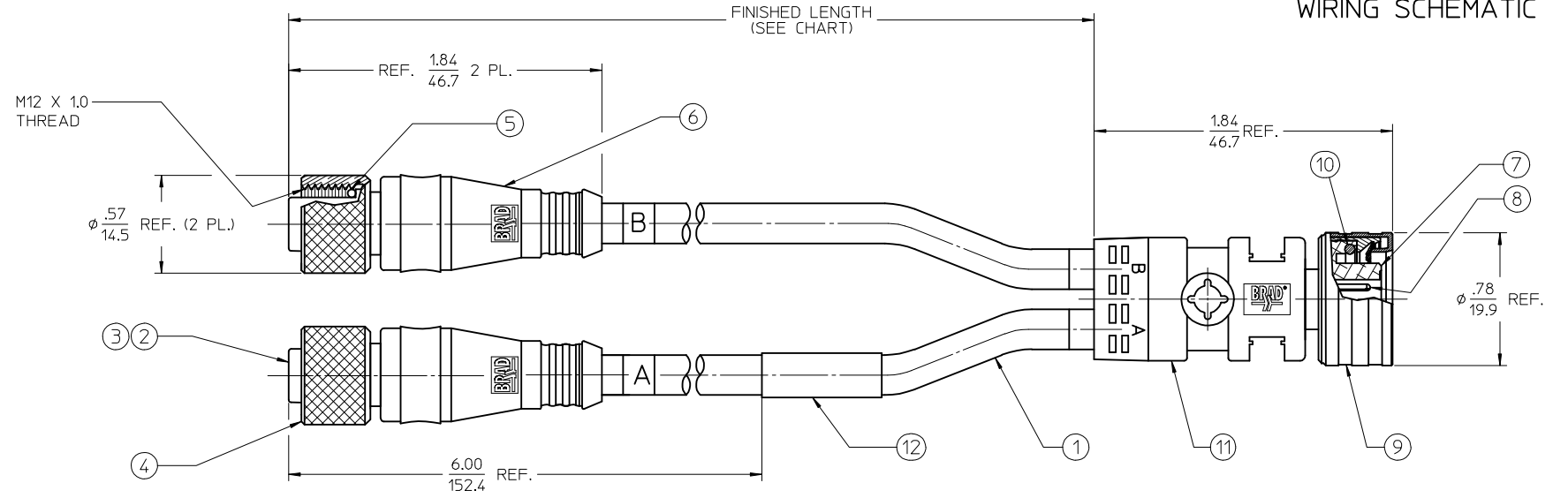
FRONT VIEW - MALE INSERT



- NOTES:
1. MATERIAL: SEE TABLE
  2. FINISHES: SEE TABLE
  3. ELECTRICAL SPECIFICATIONS  
VOLTAGE RATING: 250V AC/DC  
CURRENT RATING: 4 AMPS
  4. PROTECTION: IP67
  5. ASSEMBLY IS RoHS COMPLIANT BY EXEMPTION



WIRING SCHEMATIC



12	1	WRAP LABEL	VINYL	BLACK/YELLOW
11	1	U-LOCK OVERMOLD	PVC	YELLOW
10	1	U-LOCK O-RING	VITON	GREEN
9	1	U-LOCK MALE COUPLING	BRASS	TEFLON/WHITE BRONZE
8	4	CONTACT PIN	Cu ALLOY	GOLD PLATED
7	1	U-LOCK INSERT, MALE, 4P	PUR	BLACK
6	2	MIC OVERMOLD	PVC	YELLOW
5	2	O-RING	VITON	RED
4	2	MIC COUPLING	BRASS	NICKEL PLATED
3	8	CONTACT SOCKET	Cu ALLOY	GOLD PLATED
2	2	MIC INSERT, FEMALE, 4P	PUR	BLACK
1	A/R	CABLE, 18/4 ITC/PLTC	TPE JACKET	YELLOW
ITEM	QTY.	DESCRIPTION	MATERIAL	FINISH

MATERIAL NO.	ENGINEERING NO.	FINISHED LENGTH
1200820003	8W4A30K03M003	11.8 IN +.75/-0 (0.3M +19.1mm/-0)

NEW SALES DOC  
EC NO: IPG2013-1402  
DRAWN BY: DRWINRSTONE 2013/03/12  
CHKD BY: JOZWIK 2013/03/15  
APPR: JF MURPHY 2013/04/25

QUALITY SYMBOLS	GENERAL TOLERANCES (UNLESS SPECIFIED)
▽=0	mm INCH
▽=0	4 PLACES ± --- ± ---
	3 PLACES ± --- ± ---
	2 PLACES ± --- ± .01
	1 PLACE ± 0.3 ± ---
	0 PLACE ± --- ± ---
	ANGULAR ± 2 °
	DRAFT WHERE APPLICABLE MUST REMAIN WITHIN DIMENSIONS

DIMENSION STYLE		SCALE	DESIGN UNITS	THIRD ANGLE PROJECTION
IN/MM		2:1	INCH	
DRAWN BY	DATE	TITLE		
RSTONE	2013/03/12	MICRO-CHANGE SPLITTER		
CHECKED BY	DATE	4 POLE, 2 FEMALE TO		
K JOZWIK	2013/03/15	U-LOCK MALE, 18 AWG		
APPROVED BY	DATE	molex		
JFMURPHY	2013/04/25	DOCUMENT NO. SD-120082-003		
MATERIAL NO.		SEE CHART		SHEET NO. 1 OF 1

THIS DRAWING CONTAINS INFORMATION THAT IS PROPRIETARY TO MOLEX INCORPORATED AND SHOULD NOT BE USED WITHOUT WRITTEN PERMISSION