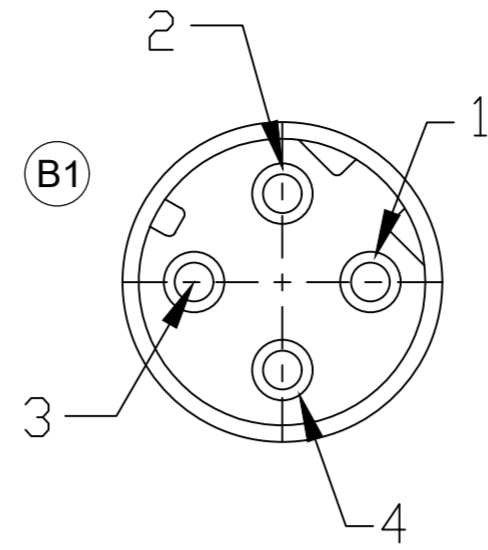


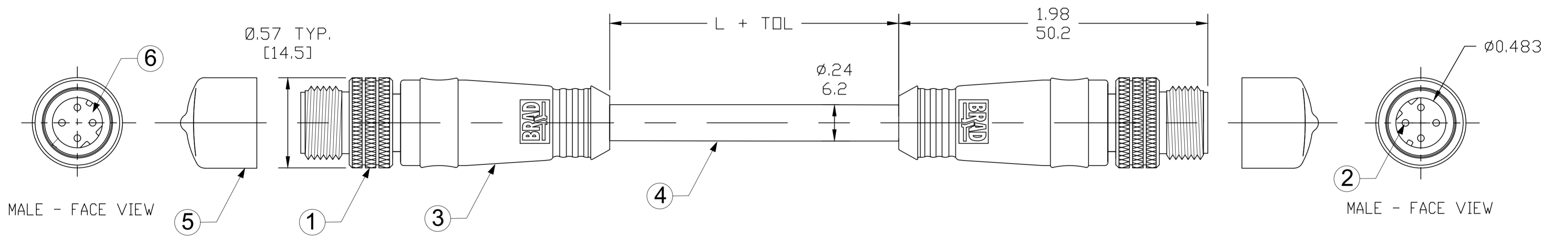
| MOLEX PN   | ENGINEERING PN | L(mm) + TOL |
|------------|----------------|-------------|
| 1300488040 | 130048-8040    | 4318 +165   |
| 1300488056 | 130048-8056    | 1489 +56    |
| 1300488057 | 130048-8057    | 1670 +56    |
| 1300488058 | 130048-8058    | 1943 +89    |
| 1300488059 | 130048-8059    | 2370 +89    |
| 1300488060 | 130048-8060    | 2549 +89    |
| 1300488061 | 130048-8061    | 2770 +89    |
| 1300488062 | 130048-8062    | 4170 +165   |
| 1300488063 | 130048-8063    | 5288 +165   |
| 1300488064 | 130048-8064    | 6396 +165   |
| 1300488065 | 130048-8065    | 7068 +165   |
| 1300488066 | 130048-8066    | 9131 +182   |
| 1300488067 | 130048-8067    | 10396 +207  |
| 1300488068 | 130048-8068    | 19595 +391  |



MALE - FACE VIEW  
TYPICAL BOTH ENDS

| PIN | WIRE COLOR | PIN |
|-----|------------|-----|
| 1   | BLUE       | 1   |
| 2   | BLACK      | 2   |
| 3   | WHITE      | 3   |
| 4   | RED        | 4   |
|     | SHIELD     |     |

COUPLING NUT      WIRE DIAGRAM      COUPLING NUT



- NOTES:
1. MATERIAL: SEE TABLE
  2. FINISHES: SEE TABLE
  3. ELECTRICAL DATA:  
VOLTAGE: 30V  
CURRENT: 1.5A
  4. TEMP RATING: -20°C TO 105°C
  5. IP67 WHEN FULLY MATED
  6. COUPLING THREADS: M12X1
  7. ALL DIMS ARE FOR REFERENCE UNLESS TOLERANCED OR OTHERWISE NOTED.

| ITEM | DESCRIPTION                  | MATERIAL     | FINISH        |
|------|------------------------------|--------------|---------------|
| 6    | INSERT                       | PUR          | BLACK         |
| 5    | DUST COVER                   | VINYL        | BLACK         |
| 4    | CABLE 28 AWG , 2PR, SHIELDED | BLACK        | PVC           |
| 3    | OVERMOLD                     | TPU          | BLACK         |
| 2    | CONTACTS                     | COPPER ALLOY | GOLD PLATED   |
| 1    | M12 MALE COUPLING NUT        | BRASS        | NICKEL PLATED |

|  |  |       |    |  |       |  |      |  |          |  |  |  |  |  |          |  |  |  |  |                      |       |  |          |  |       |       |  |         |  |       |       |  |          |  |       |       |  |  |
|--|--|-------|----|--|-------|--|------|--|----------|--|--|--|--|--|----------|--|--|--|--|----------------------|-------|--|----------|--|-------|-------|--|---------|--|-------|-------|--|----------|--|-------|-------|--|--|
| FUNCTIONAL SYMBOLS                                   |  |       |    |  |       |  |      |  |          | THIS DRAWING CONTAINS INFORMATION THAT IS PROPRIETARY TO MOLEX ELECTRONIC TECHNOLOGIES, LLC AND SHOULD NOT BE USED WITHOUT WRITTEN PERMISSION  |  |  |  |  |          |  |  |  |  |                      |       |  |          |  |       |       |  |         |  |       |       |  |          |  |       |       |  |  |
| DIMENSION UNITS                                      |  |       |    |  | SCALE |  |      |  |          | CURRENT REV DESC: CORRECT POSITION OF SMALL KEY  |  |  |  |  |          |  |  |  |  |                      |       |  |          |  |       |       |  |         |  |       |       |  |          |  |       |       |  |  |
| INCH/MM  |  |       |    |  | NTS   |  |      |  |          | <p>EC NO: 670690</p> <p>DRWN: RSTONE      2021/07/19</p> <p>CHK'D: ALEON01      2021/07/21</p> <p>APPR: BWOODMAN      2021/07/26</p> <p>INITIAL REVISION:</p> <p>DRWN: CCHRASTKA      2020/10/13</p> <p>APPR: BWOODMAN      2020/10/21</p> |  |  |  |  |          |  |  |  |  |                      |       |  |          |  |       |       |  |         |  |       |       |  |          |  |       |       |  |  |
| GENERAL TOLERANCES (UNLESS SPECIFIED)                |  |       |    |  |       |  |      |  |          |  |  |  |  |  |          |  |  |  |  |                      |       |  |          |  |       |       |  |         |  |       |       |  |          |  |       |       |  |  |
| 4 PLACES   |  | ±---- | mm |  | ±---- |  | INCH |  | 3 PLACES |  |  |  |  |  |          |  |  |  |  | ±----                | ±---- |  | 2 PLACES |  | ±---- | ±---- |  | 1 PLACE |  | ±---- | ±---- |  | 0 PLACES |  | ±---- | ±---- |  |  |
| DIVISIONAL SYMBOLS                                   |  |       |    |  |       |  |      |  |          |  |  |  |  |  |          |  |  |  |  | ANGULAR TOL ± ---- ° |       |  |          |  |       |       |  |         |  |       |       |  |          |  |       |       |  |  |
| DRAFT WHERE APPLICABLE MUST REMAIN WITHIN DIMENSIONS |  |       |    |  |       |  |      |  |          | THIRD ANGLE PROJECTION   |  |  |  |  | DRAWING  |  |  |  |  | SERIES               |       |  |          |  |       |       |  |         |  |       |       |  |          |  |       |       |  |  |
|  |  |       |    |  |       |  |      |  |          | C-SIZE   |  |  |  |  | 130048   |  |  |  |  | MATERIAL NUMBER      |       |  |          |  |       |       |  |         |  |       |       |  |          |  |       |       |  |  |
|  |  |       |    |  |       |  |      |  |          | SEE TABLE  |  |  |  |  | CUSTOMER |  |  |  |  | SHEET NUMBER         |       |  |          |  |       |       |  |         |  |       |       |  |          |  |       |       |  |  |
|  |  |       |    |  |       |  |      |  |          | GENERAL MARKET   |  |  |  |  | 1 OF 1   |  |  |  |  |                      |       |  |          |  |       |       |  |         |  |       |       |  |          |  |       |       |  |  |

**molex**

MICRO-CHANGE SHIELDED CORDSET  
D-CODE, M12, MALE/MALE

PRODUCT CUSTOMER DRAWING

|                 |                   |          |
|-----------------|-------------------|----------|
| DOCUMENT NUMBER | DOC TYPE/DOC PART | REVISION |
| 1300488040      | PSD 000           | B1       |