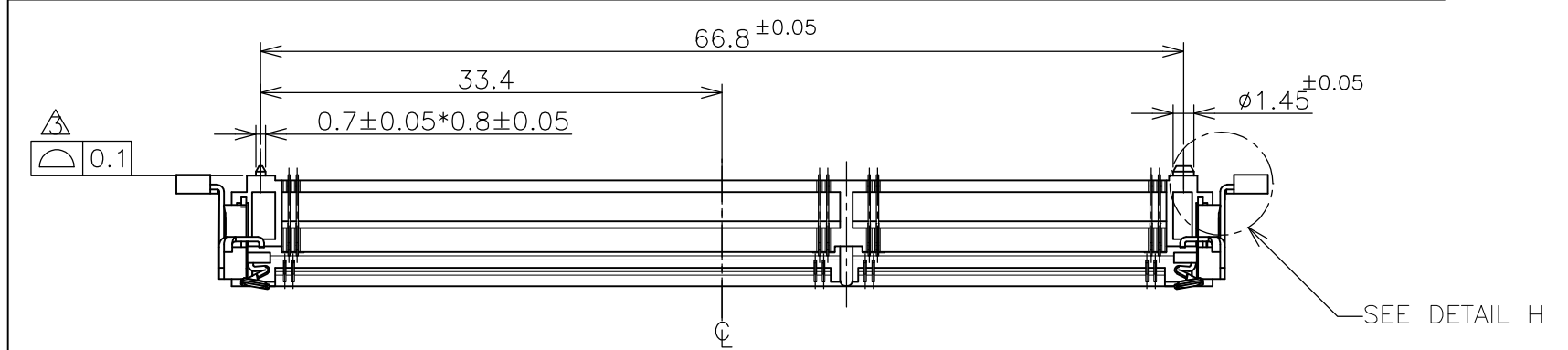
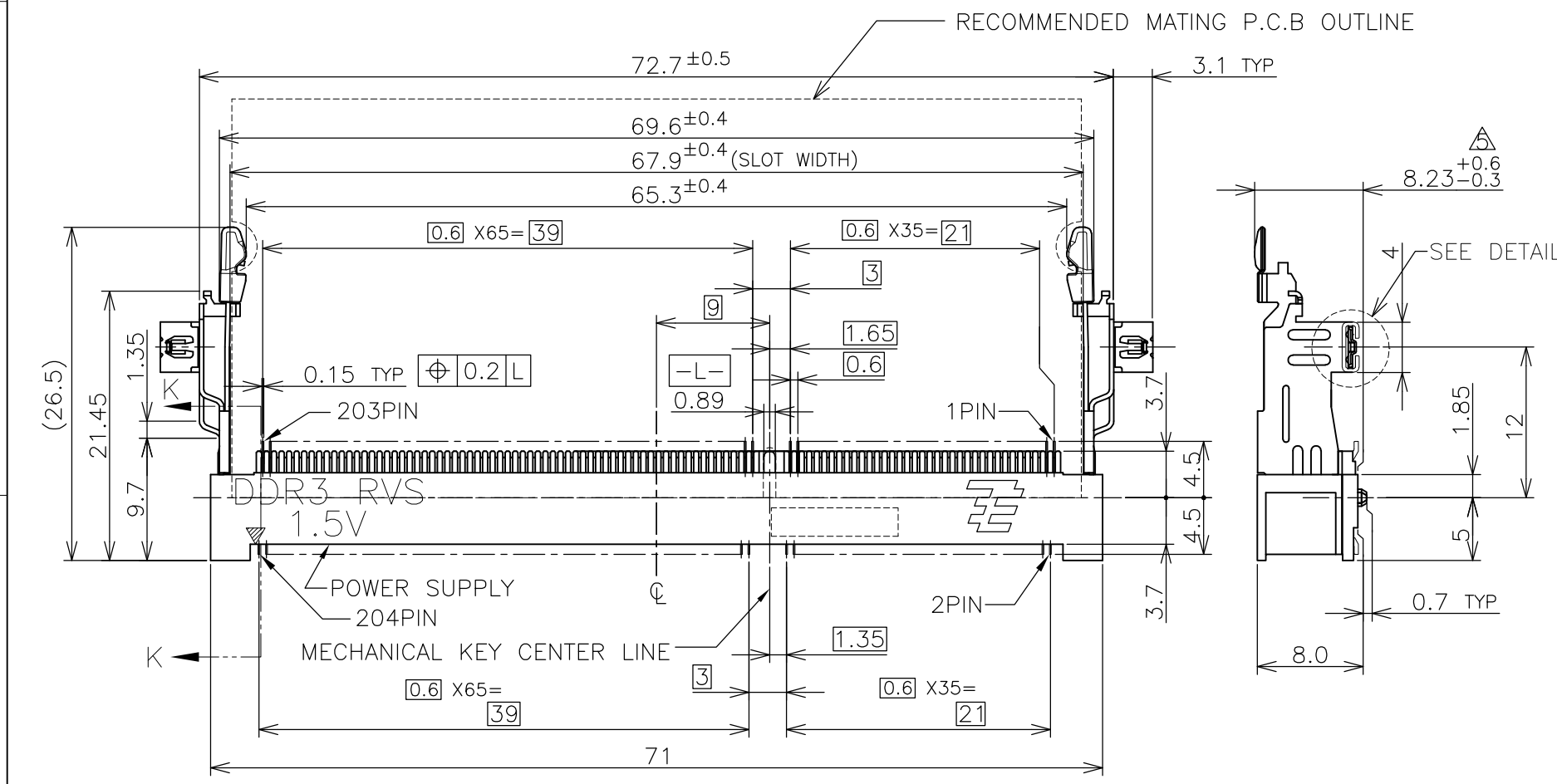
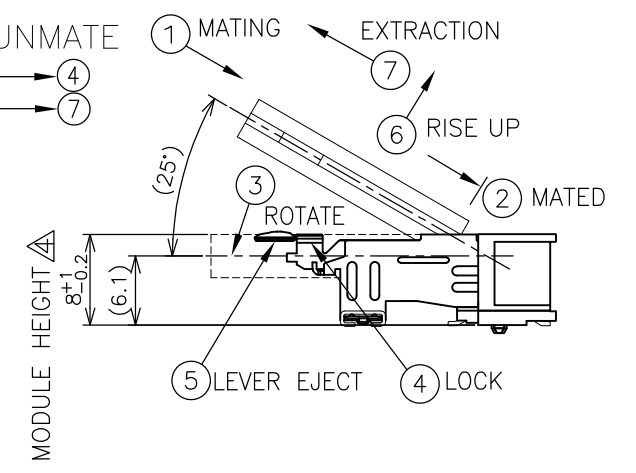


THIS DRAWING IS UNPUBLISHED. RELEASED FOR PUBLICATION SEP ,2007.
 © COPYRIGHT 2007 By - ALL RIGHTS RESERVED.

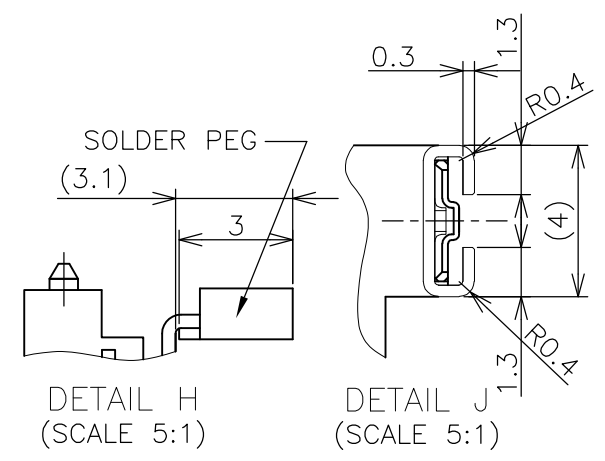
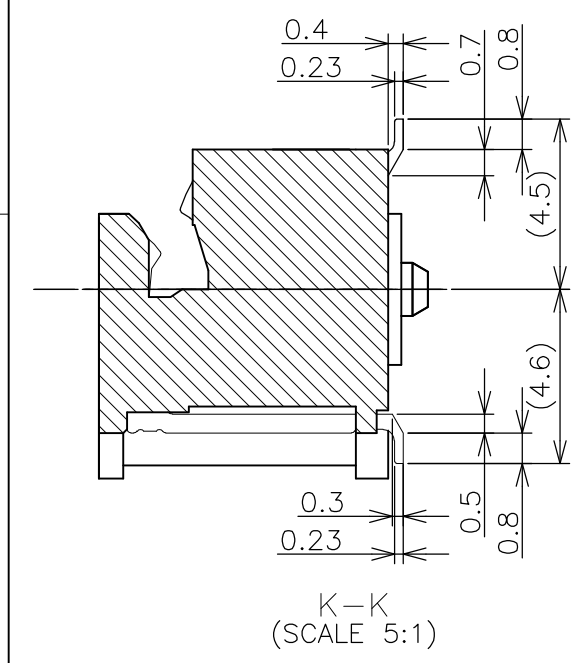
LOC	DIST	REVISIONS					
ES		P	LTR	DESCRIPTION	DATE	DWN	APVD
			B	REVISED PER ECR-12-004002	01MAR2012	W.W	C.W



HOW TO MATE AND UNMATE
 MATE: ① → ④
 UNMATE: ⑤ → ⑦



- (APPLIED TO SHEET 1-2)
- MATERIAL ; HOUSING: HIGH TEMPERATURE THERMO PLASTIC UL94V-0
 COLOR: SEE TABLE
 CONTACT: COPPER ARROY
 LOCK LEVER: STAINLESS STEEL
 PEG: COPPER ARROY
 - 2-1. FINISH ; CONTACT AREA: 0.00005MIN GOLD
 ALL OVER NICKEL.
 SOLDERING AREA: GOLD FLASH PLATING
 PEG: TIN PLATING.
 - 2-2. FINISH ; CONTACT AREA: 0.000254MIN GOLD
 ALL OVER NICKEL.
 SOLDERING AREA: GOLD FLASH PLATING
 PEG: TIN PLATING.
- △ COPLANARITY: 0.1 MAX. (BEFORE SOLDERING)
 △ THE FLOATING VALUE BY SOLDERING IS NOT INCLUDED.
 △ NOT MATING CONDITION.
6. IF THE MODULE DOESN'T INSERT AND LOCK IN THE LATCH SMOOTHLY, OPEN WIDE BOTH LATCHES BY MANUAL. AND THE MODULE MUST BE INSERTED AND LOCKED IN THE LATCH.

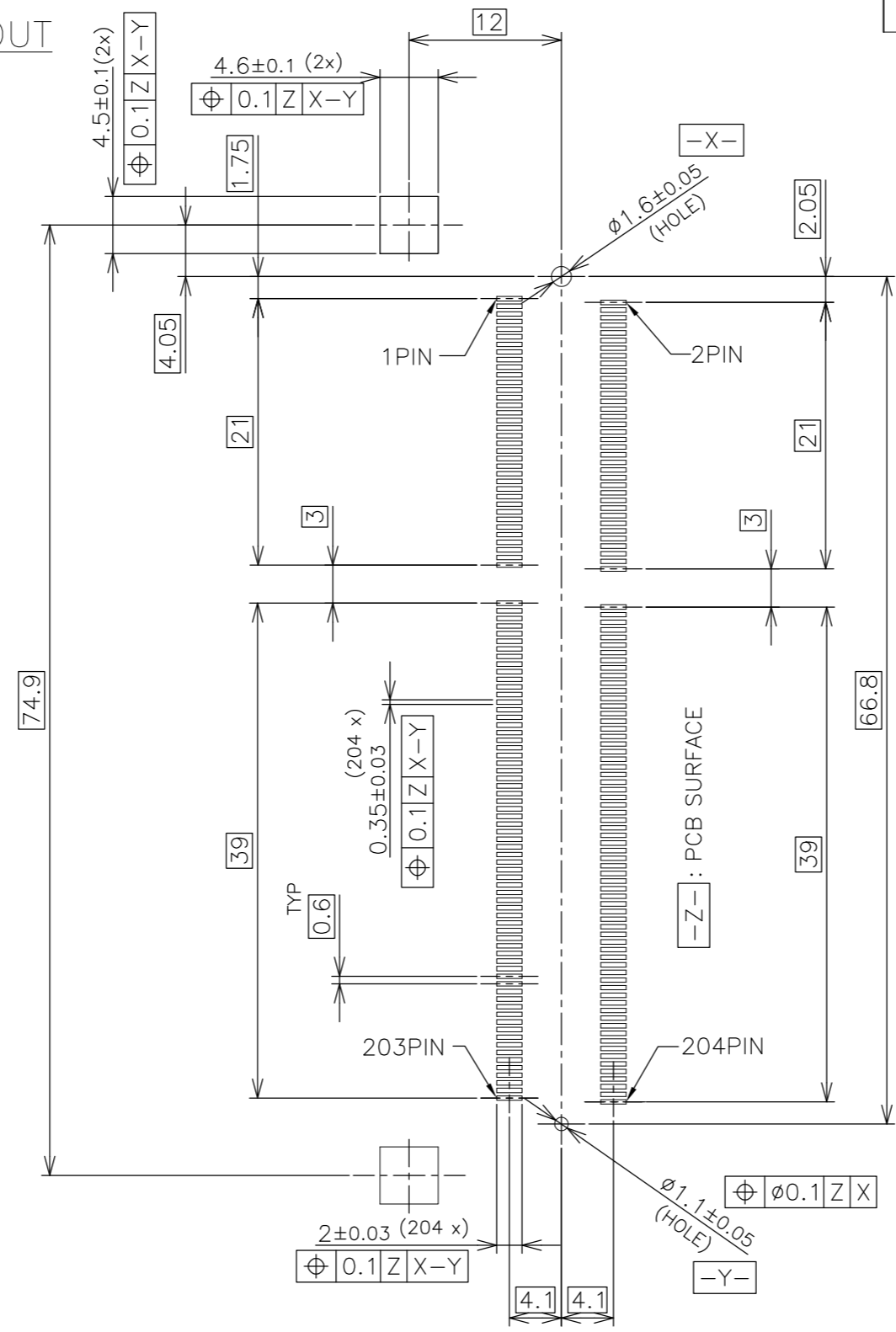


GENERAL TOLERANCE
 10 ≥ : ±0.2
 30 ≥ > 10 : ±0.25
 100 ≥ > 30 : ±0.3
 ANGLES : ±3°


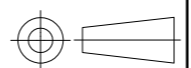
AVAILABLE	EMBOSS(SEE SHEET 4)	WITHBOSS	BLACK	NOTE 2-2	1.5V	204	2-1932323-2
AVAILABLE	EMBOSS(SEE SHEET 4)	WITHBOSS	BLACK	NOTE 2-1	1.5V	204	2-1932323-1
TOOLING STATUS	PACKAGING TYPE	REMARK	HOUSING COLOR	FINISH	POWER SUPPLY	POS	PART NO.
THIS DRAWING IS A CONTROLLED DOCUMENT.				DWN	06AUG2009		
				CHK	10AUG2009		
				APVD	10AUG2009		
				NAME			
				Y.STEVEN			
				PRODUCT SPEC			
				108-78493			
				APPLICATION SPEC			
				WEIGHT			
				-			
				SIZE		CAGE CODE	
				A3		00779	
				DRAWING NO		RESTRICTED TO	
				C-1932323		-	
CUSTOMER DRAWING				SCALE		SHEET	
				2:1		1 OF 4	
						REV	
						B	

P	LTR	DESCRIPTION	DATE	DWN	APVD
-	-	SEE SHEET 1	-	-	-

REFERENCE P.C.BOARD PATTERN LAYOUT (CONNECTOR MOUNTING SIDE)



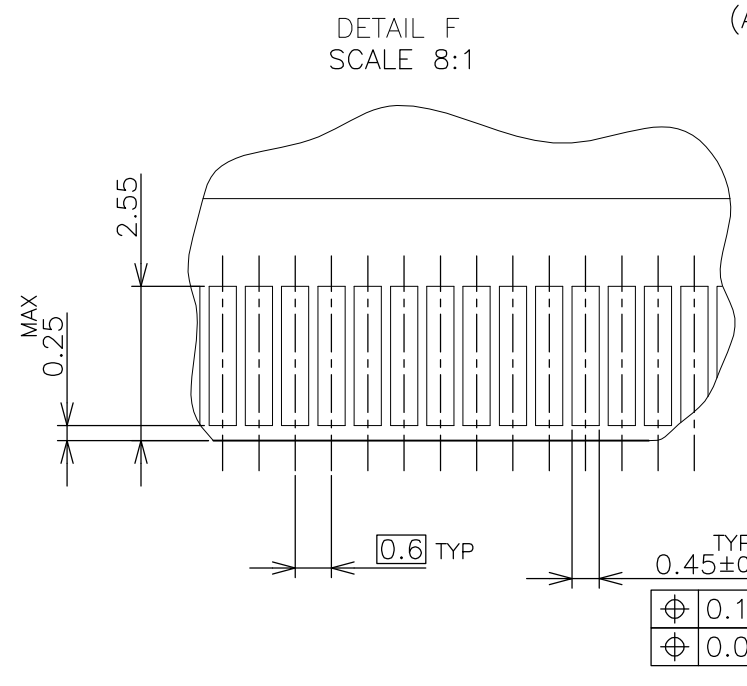
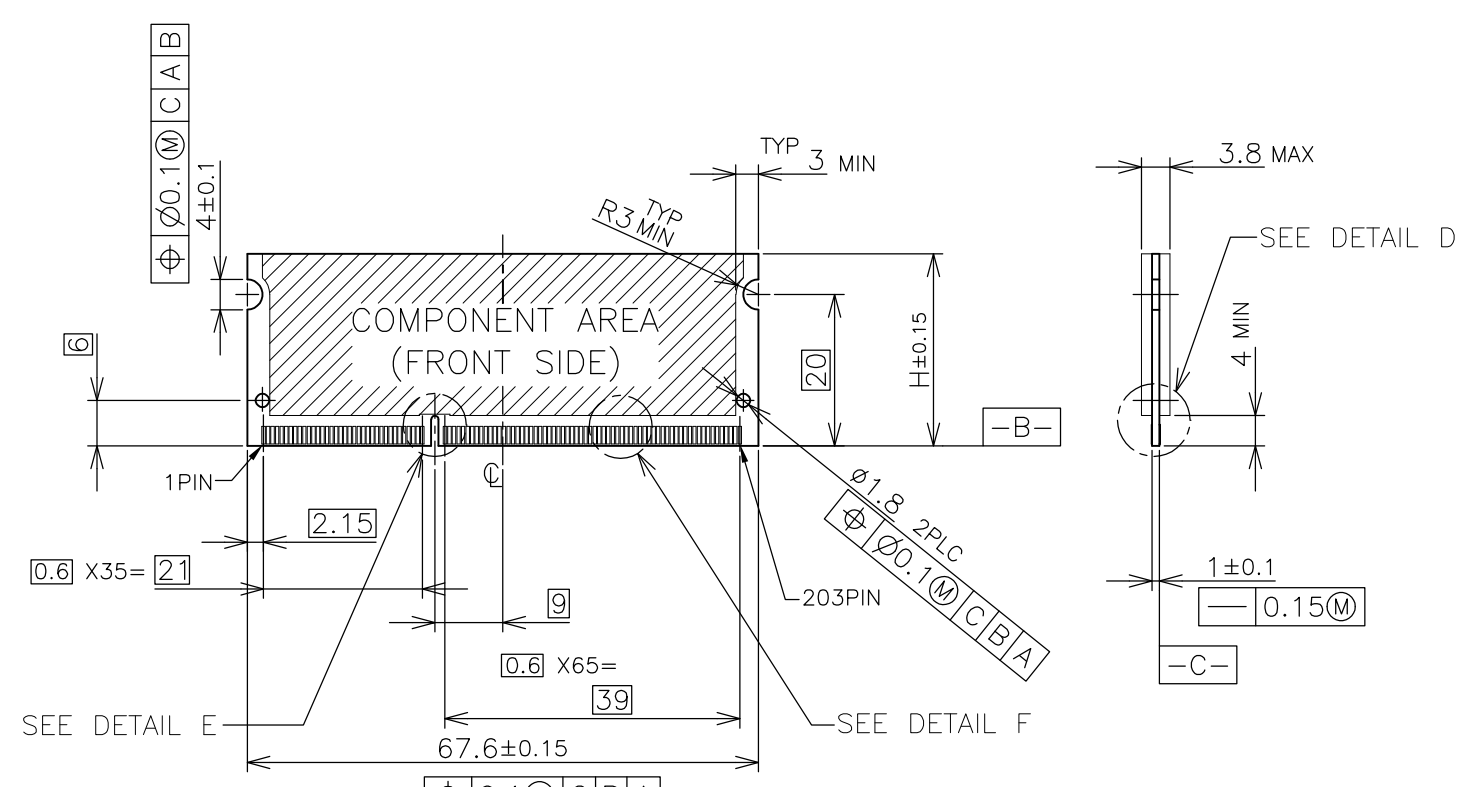
RVS TYPE

THIS DRAWING IS A CONTROLLED DOCUMENT.		DWN		 TE Connectivity			
DIMENSIONS: MM		CHK				NAME	
		APVD				DDR3 SODIMM SOCKET 0.6mm PITCH 204POS 8.0mm HEIGHT REVERSE TYPE	
		PRODUCT SPEC				RESTRICTED TO	
TOLERANCES UNLESS OTHERWISE SPECIFIED:		APVD		SIZE			
0 PLC ±		PRODUCT SPEC		CAGE CODE			
1 PLC ±		APPLICATION SPEC		DRAWING NO			
2 PLC ±		WEIGHT		A3 00779			
3 PLC ±		CUSTOMER DRAWING		C-1932323			
4 PLC ±		SCALE		SHEET			
ANGLES ±		2:1		2 of 4			
FINISH		REV		B			

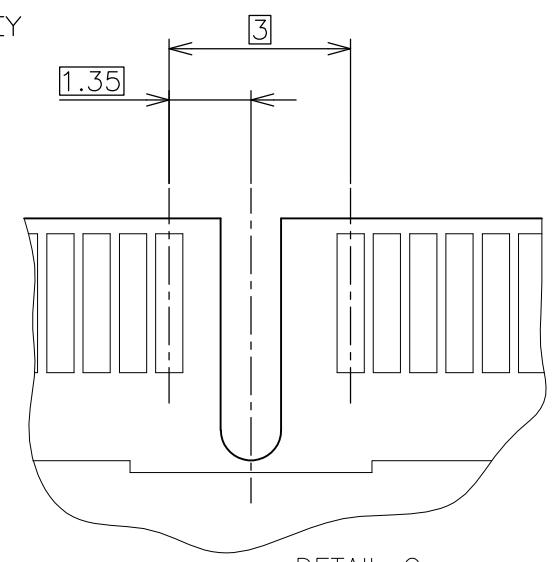
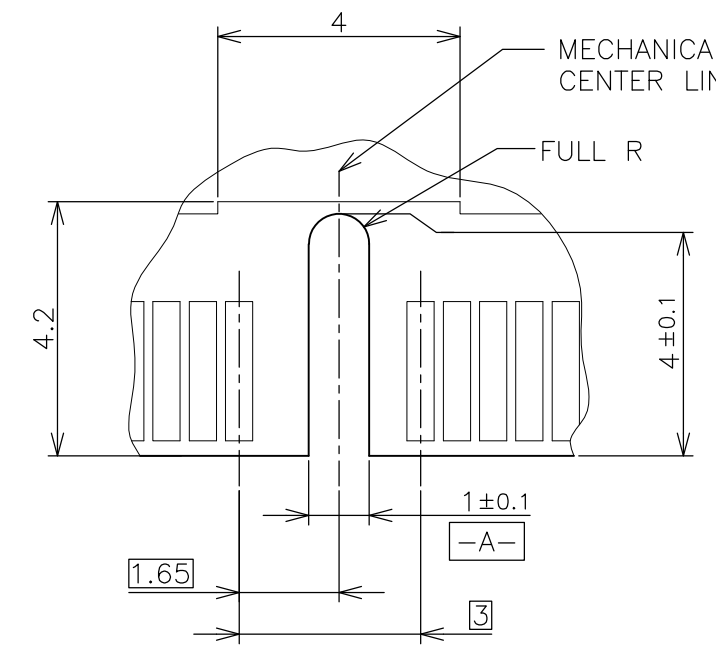
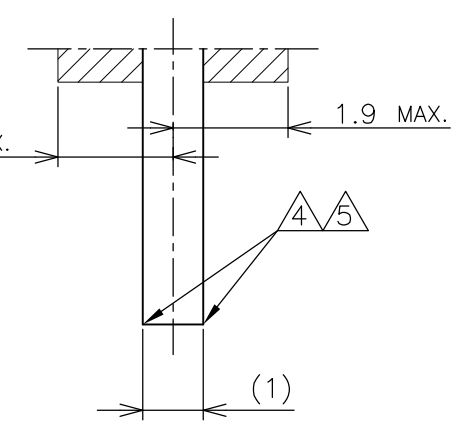
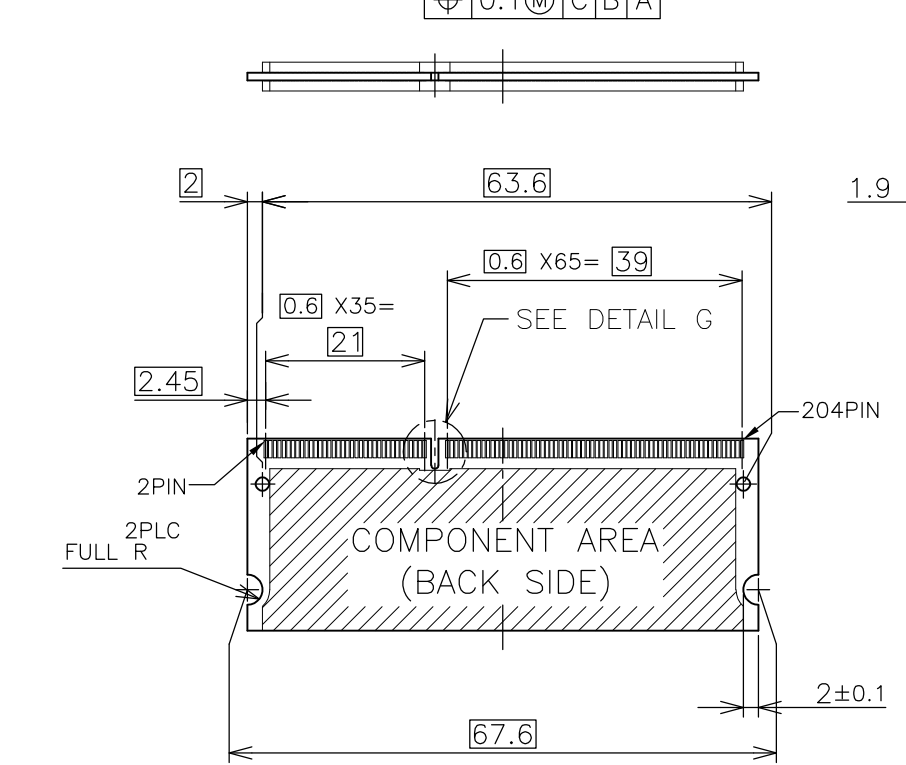
THIS DRAWING IS UNPUBLISHED. RELEASED FOR PUBLICATION SEP ,2007.
 © COPYRIGHT 2007 By - ALL RIGHTS RESERVED.

LOC		DIST		REVISIONS			
P	LTR	DESCRIPTION	DATE	DWN	APVD		
ES	/	SEE SHEET 1	-	-	-		

REFERENCE MATING P.C.B CONFIGURATION



- (APPLIED TO SHEET 3)
1. TOLERANCES ON ALL DIMENSIONS ±0.15 UNLESS OTHERWISE SPECIFIED.
 2. P.C. BOARD THICKNESS APPLIES ACROSS TABS AND INCLUDES PLATING AND/OR METALIZATION.
 3. FINISH OF PAD : GOLD PLATING 0.00076 MIN. OVER Ni PLATING 0.002MIN.
- ▲ NO BURR
 ▽ CHAMFER 0.25 MAX x 45° IF EXIST.

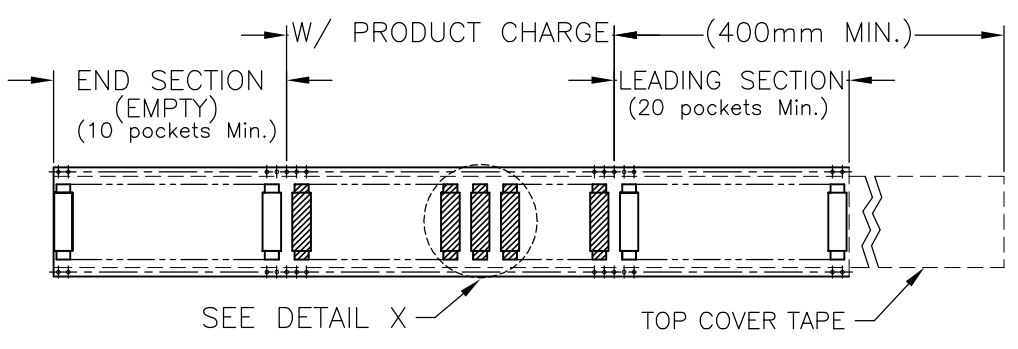
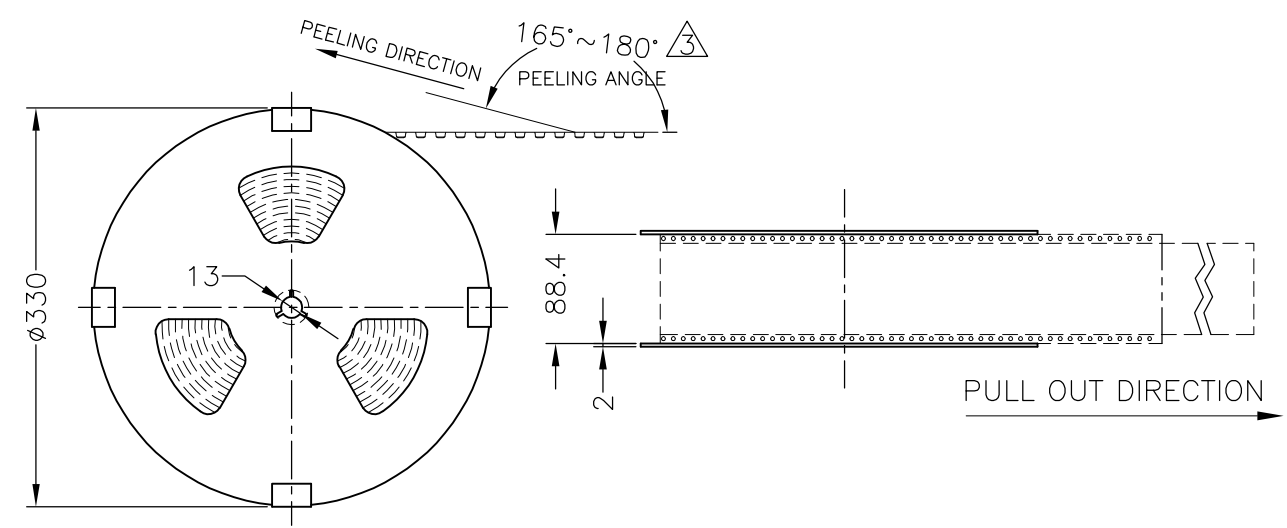


30	CA
31.75	BA
25.4	AA
H	SDRAM VARIATIONS

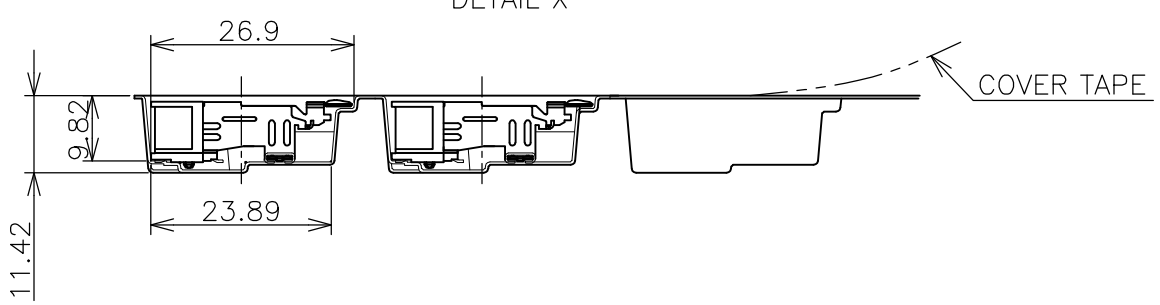
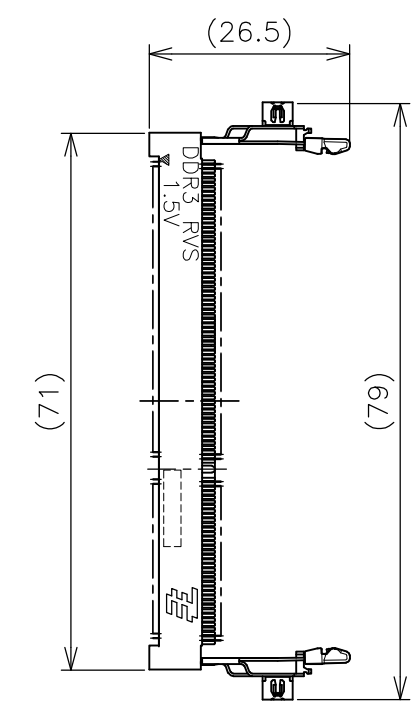
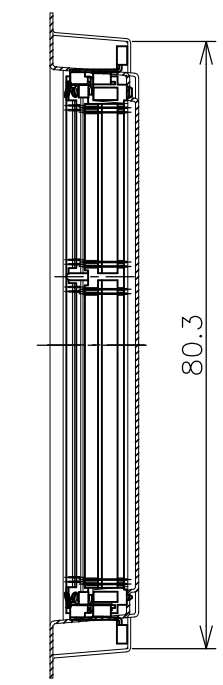
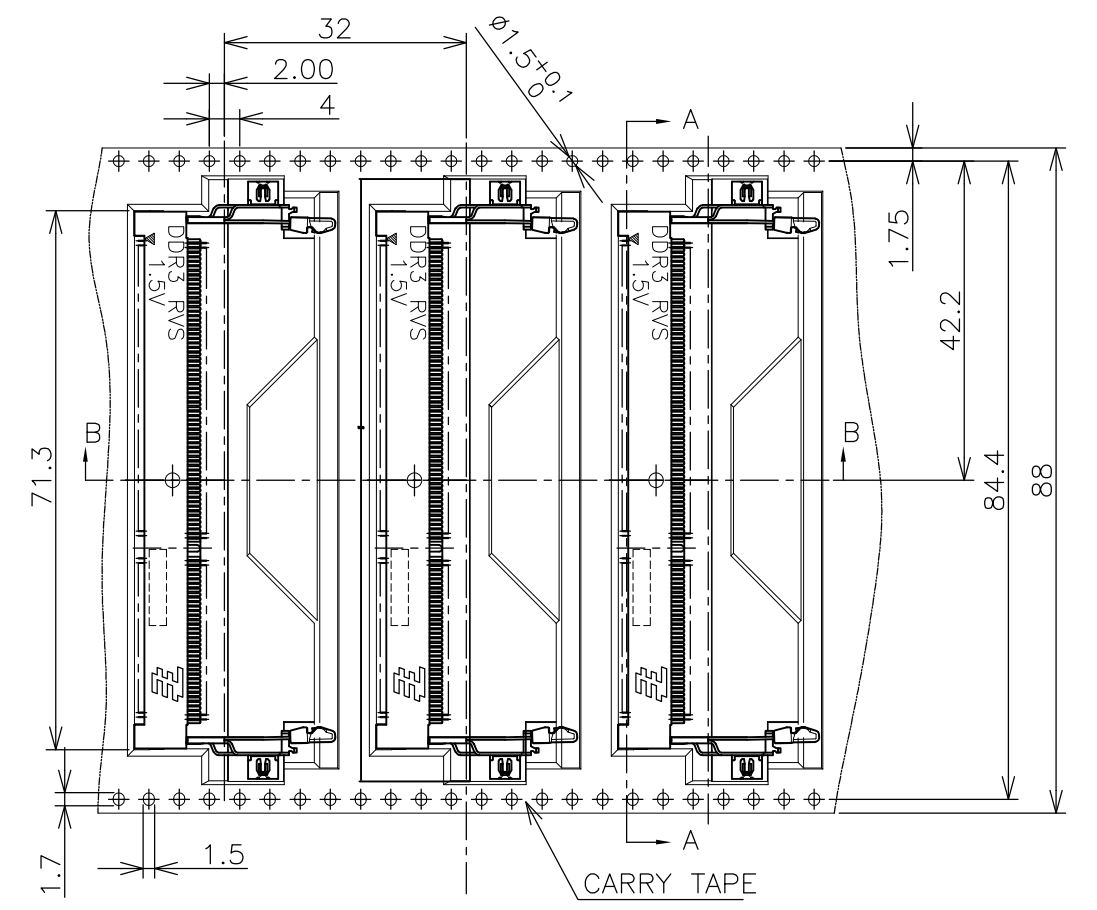
THIS DRAWING IS A CONTROLLED DOCUMENT.		DWN	TE Connectivity DDR3 SODIMM SOCKET 0.6mm PITCH 204POS 8.0mm HEIGHT REVERSE TYPE			
DIMENSIONS: MM		CHK				
		APVD				
TOLERANCES UNLESS OTHERWISE SPECIFIED: 0 PLC ± 1 PLC ± 2 PLC ± 3 PLC ± 4 PLC ± ANGLES ± MATERIAL FINISH ±		NAME				
MATERIAL		PRODUCT SPEC	SIZE	CAGE CODE	DRAWING NO	RESTRICTED TO
		APPLICATION SPEC	A300779		C-1932323	-
		WEIGHT	CUSTOMER DRAWING		SCALE 2:1	SHEET 3 OF 4
					REV B	

THIS DRAWING IS UNPUBLISHED. RELEASED FOR PUBLICATION SEP ,2007.
 © COPYRIGHT 2007 By - ALL RIGHTS RESERVED.

LOC		DIST		REVISIONS			
ES	/	P	LTR	DESCRIPTION	DATE	DWN	APVD
		-		SEE SHEET 1	-	-	-



- (APPLIED TO SHEET 4)
1. THE DIRECTION OF EACH CONNECTOR ON A EMBOSS IS REFERRED TO THIS DRAWING.
 2. GENERAL TOLERANCE: ± 0.5 , $\pm 3^\circ$
 3. THE MATERIAL OF REEL PALLET: PLASTIC/PAPER.



150EA	2-1932323-2
150EA	2-1932323-1
QTY/REEL	PART NO.

THIS DRAWING IS A CONTROLLED DOCUMENT.		DWN		TE Connectivity NAME DDR3 SODIMM SOCKET 0.6mm PITCH 204POS 8.0mm HEIGHT REVERSE TYPE	
DIMENSIONS: MM		CHK			
TOLERANCES UNLESS OTHERWISE SPECIFIED:		APVD			
0 PLC ± 0.5 1 PLC ± 0.5 2 PLC ± 0.5 3 PLC ± 0.5 4 PLC ± 0.5 ANGLES $\pm 3^\circ$		PRODUCT SPEC			
MATERIAL		FINISH		APPLICATION SPEC	
				SIZE	CAGE CODE
				DRAWING NO	
				RESTRICTED TO	
				A300779 C-1932323	
				SCALE 1:2	
				SHEET 4 OF 4	
				REV B	