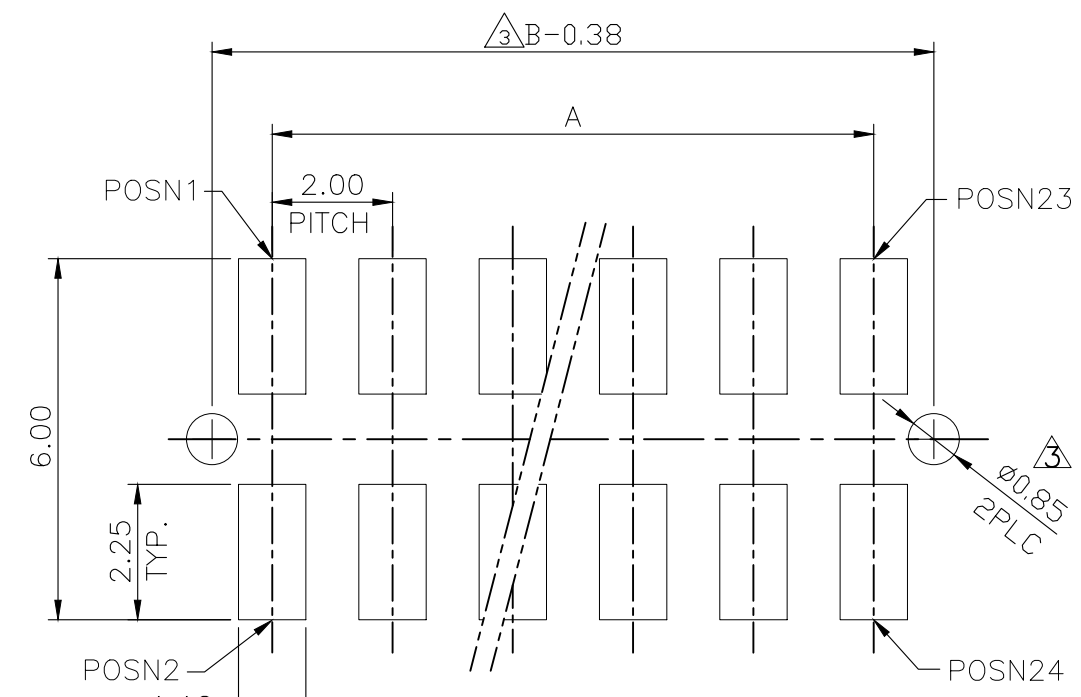
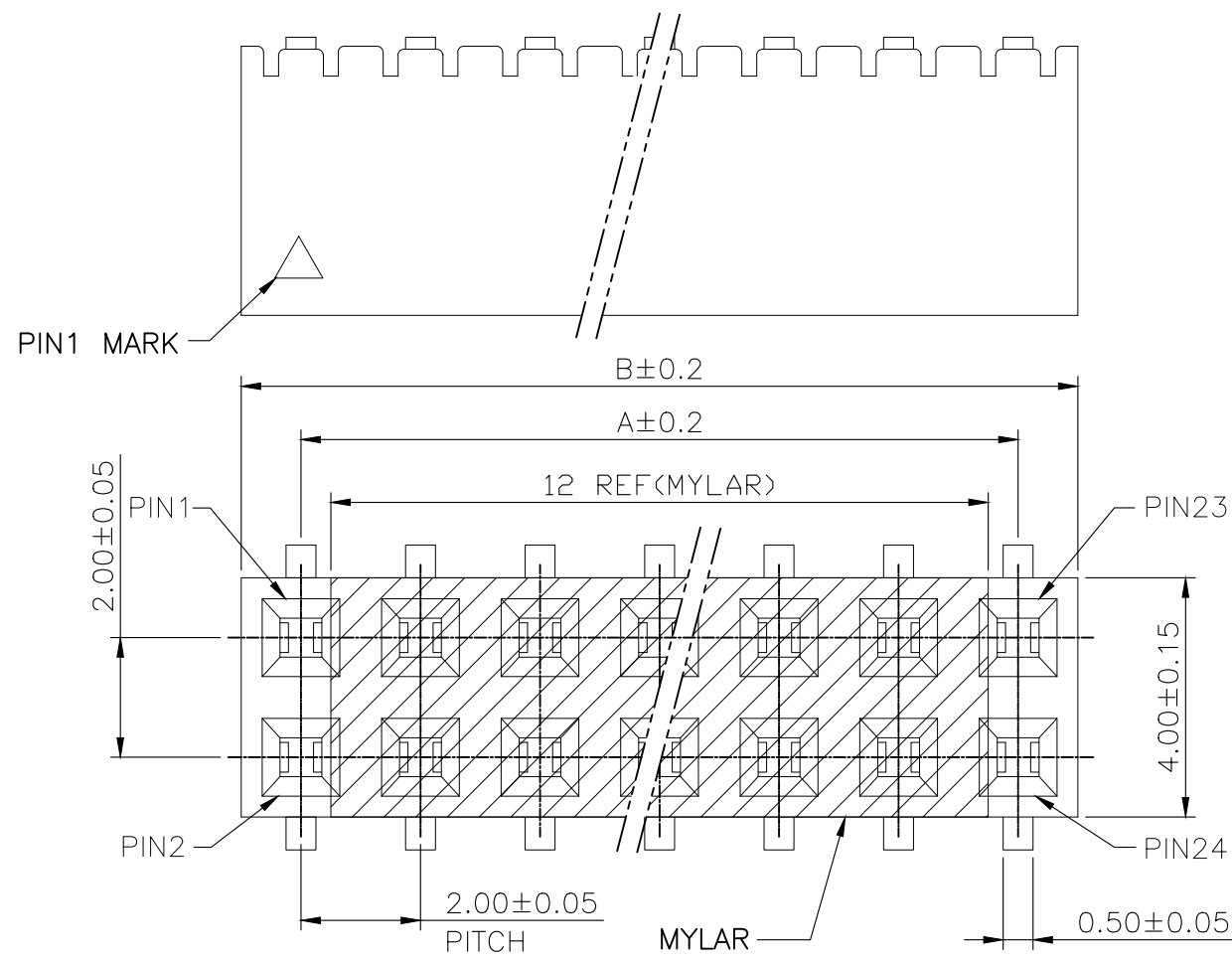
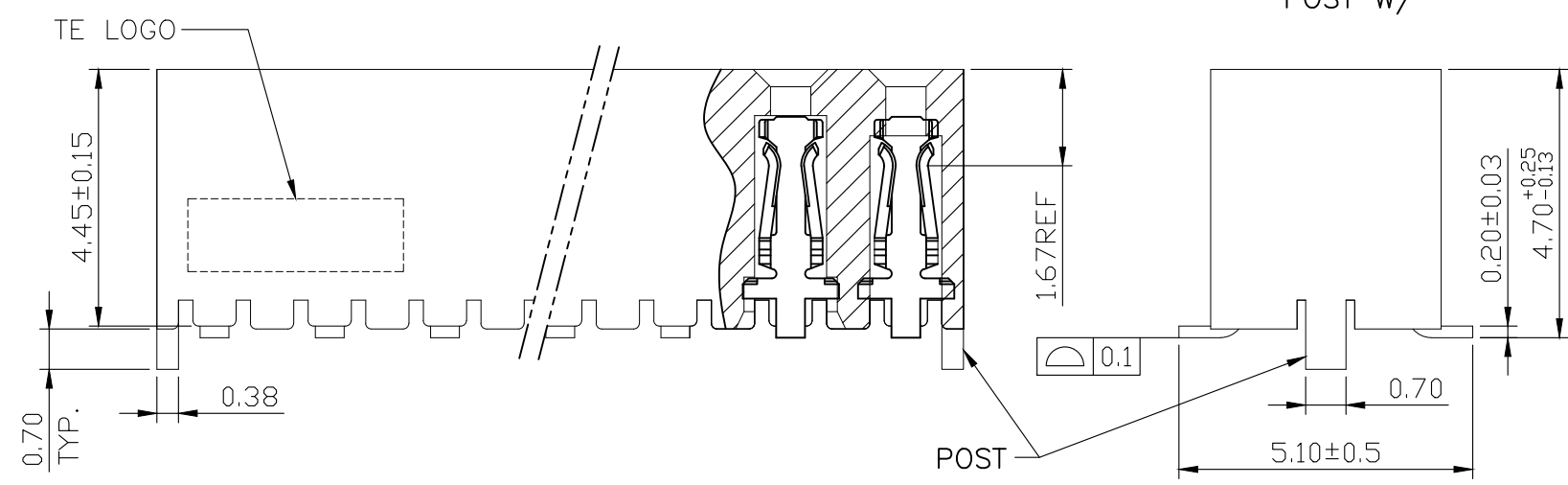


REVISIONS					
P	LTR	DESCRIPTION	DATE	DWN	APVD
	A3	16 POSITION PN INFORMATION ADDED	09JAN2018	RK	PS



RECOMMENDED PCB LAYOUT TOLERANCE ±0.05



POST W/

POST W/O

OBsolete

	POST	B	A	POS	PART NUMBER
W/O	16	14	16	6-2041069-6	
W/	16	14	16	1-2041069-6	
W/O	24	22	24	7-2041069-4	
W/	24	22	24	2-2041069-4	

- NOTE:
- 1 MATERIAL: HOUSING: LCP GF30%, UL 94V-0 ,COLOR: BLACK.
CONTACT: PHOSPHOR BRONZE
MYLAR: POLYIMIDE FILM
 - 2 FINISH: Au 0.762µm [30µ"] MIN. AT THE CONTACT AREA.
MATTE Tin 2.54µm [100µ"] MIN. AT THE SOLDER TAIL AREA.
Ni 1.27µm [50µ"] MIN. UNDER PLATED ALL OVER.
 - 3 POST APPLY PN USED
 - 4. REFLOW SOLDER CAPABLE TO 260°C PER TE TEST SPEC. 109-201, CONDITION B.
 - 5. QUALIFICATION TEST REPORT: 501-57197

THIS DRAWING IS A CONTROLLED DOCUMENT.	
DIMENSIONS: mm	TOLERANCES UNLESS OTHERWISE SPECIFIED:
	0 PLC ± -
	1 PLC ± 0.3
	2 PLC ± 0.2
	3 PLC ± -
	4 PLC ± -
	ANGLES ± 3'
MATERIAL	FINISH
1	2

DWN	O.HU	18AUG2006	TE Connectivity AMPMODU 2.00mm PITCH, DUAL ROW, REC., SURFACE MOUNT		
CHK	S.HOU	18AUG2006			
APVD	W.J.KE	18AUG2006			
PRODUCT SPEC	108-57707				
APPLICATION SPEC	-		NAME	-	
WEIGHT	-		SIZE	CAGE CODE	DRAWING NO
CUSTOMER DRAWING			A3	00779	C-2041069
SCALE			1:1	SHEET	1 OF 2
REV			A3	RESTRICTED TO	

4

3

2

1

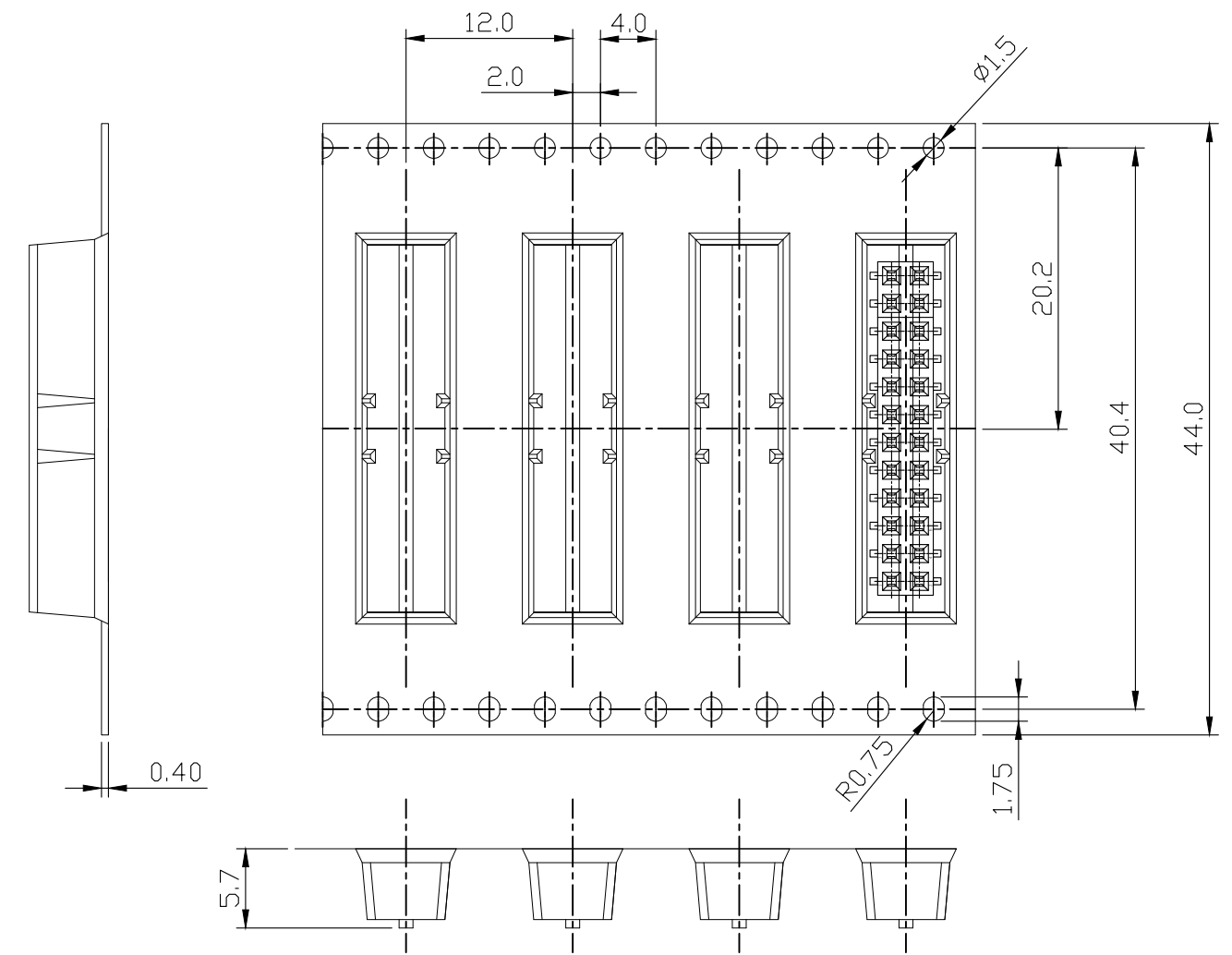
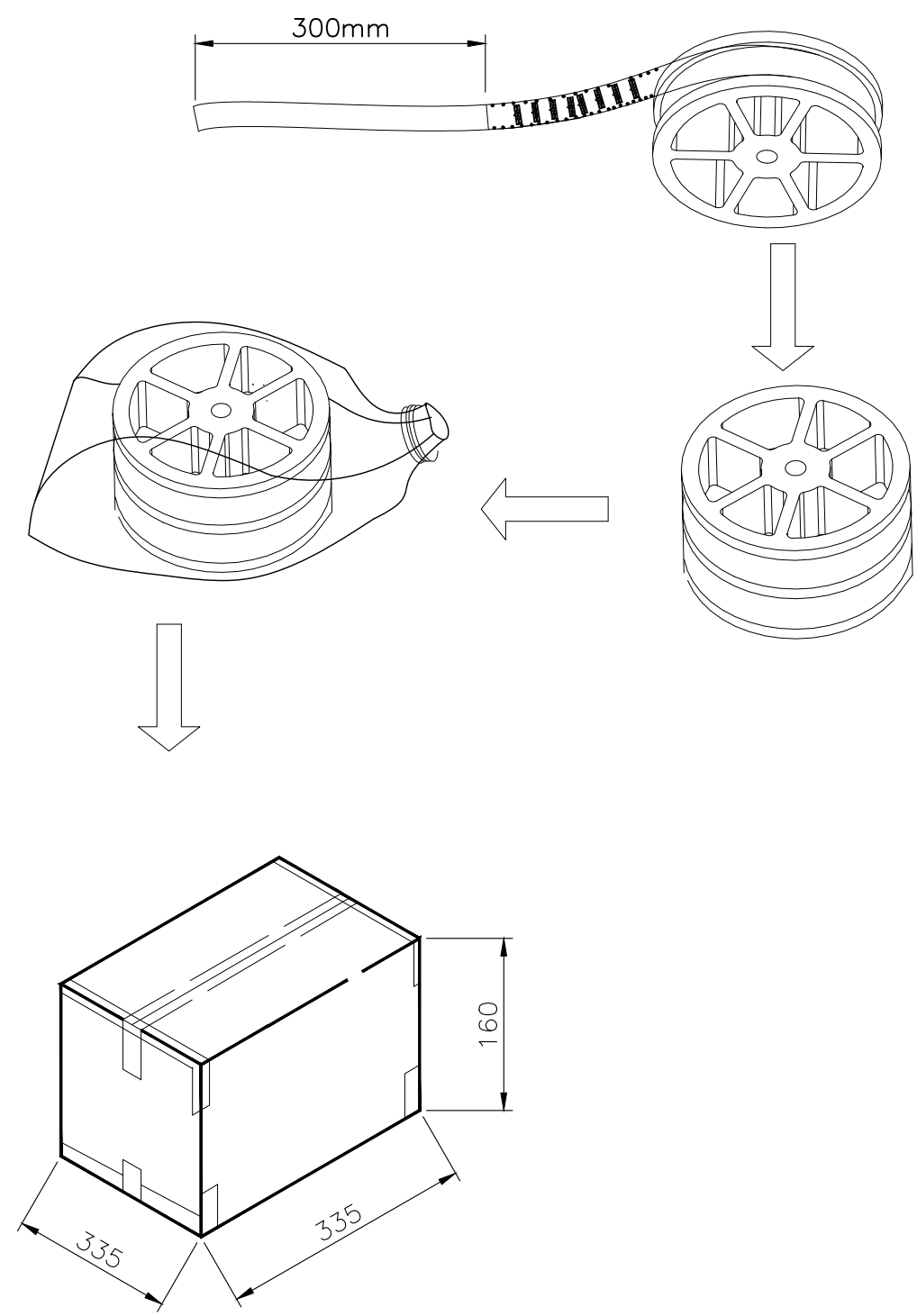
THIS DRAWING IS UNPUBLISHED RELEASED FOR PUBLICATION AUG ,2006.

© COPYRIGHT 2006 By - TE CONNECTIVITY

ALL RIGHTS RESERVED.

REVISIONS

P	LTR	DESCRIPTION	DATE	DWN	APVD
-	-	SEE SHEET 1	-	-	-



900	3	2700	3.6	1.9
PCS/REEL	REELS/SHIPPING BOX	QUANTITY (PCS)	G/W (Kg)	N/W (Kg)

THIS DRAWING IS A CONTROLLED DOCUMENT.		DWN	O.HU	18AUG2006	 TE Connectivity	NAME AMPMODU 2.00mm PITCH, DUAL ROW, REC., SURFACE MOUNT			
DIMENSIONS: mm		CHK	S.HOU	18AUG2006					
TOLERANCES UNLESS OTHERWISE SPECIFIED:		APVD	W.J.KE	18AUG2006					
0 PLC ± - 1 PLC ± 0.3 2 PLC ± 0.2 3 PLC ± - 4 PLC ± - ANGLES ± 3°		PRODUCT SPEC	108-57707						
MATERIAL		FINISH		APPLICATION SPEC	SIZE	CAGE CODE	DRAWING NO	RESTRICTED TO	
SEE SHEET 1		SEE SHEET 1		WEIGHT	A300779		C-2041069	-	
CUSTOMER DRAWING				SCALE	1:1	SHEET	2 OF 2	REV	A3