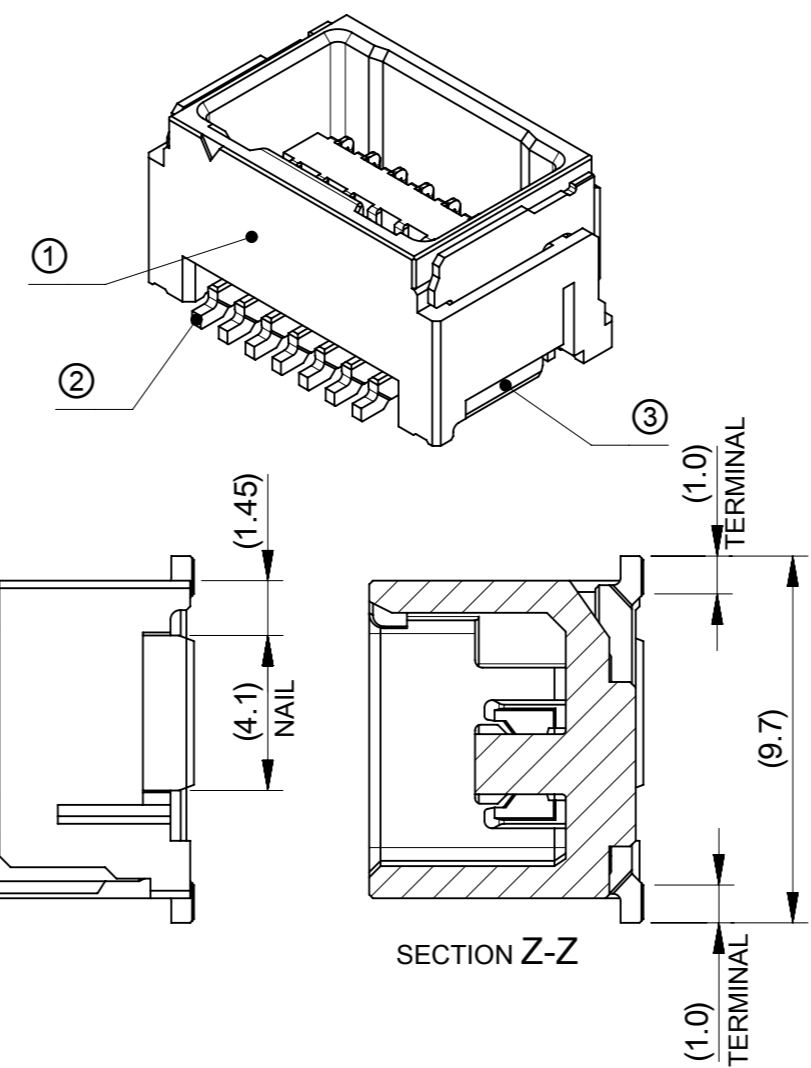
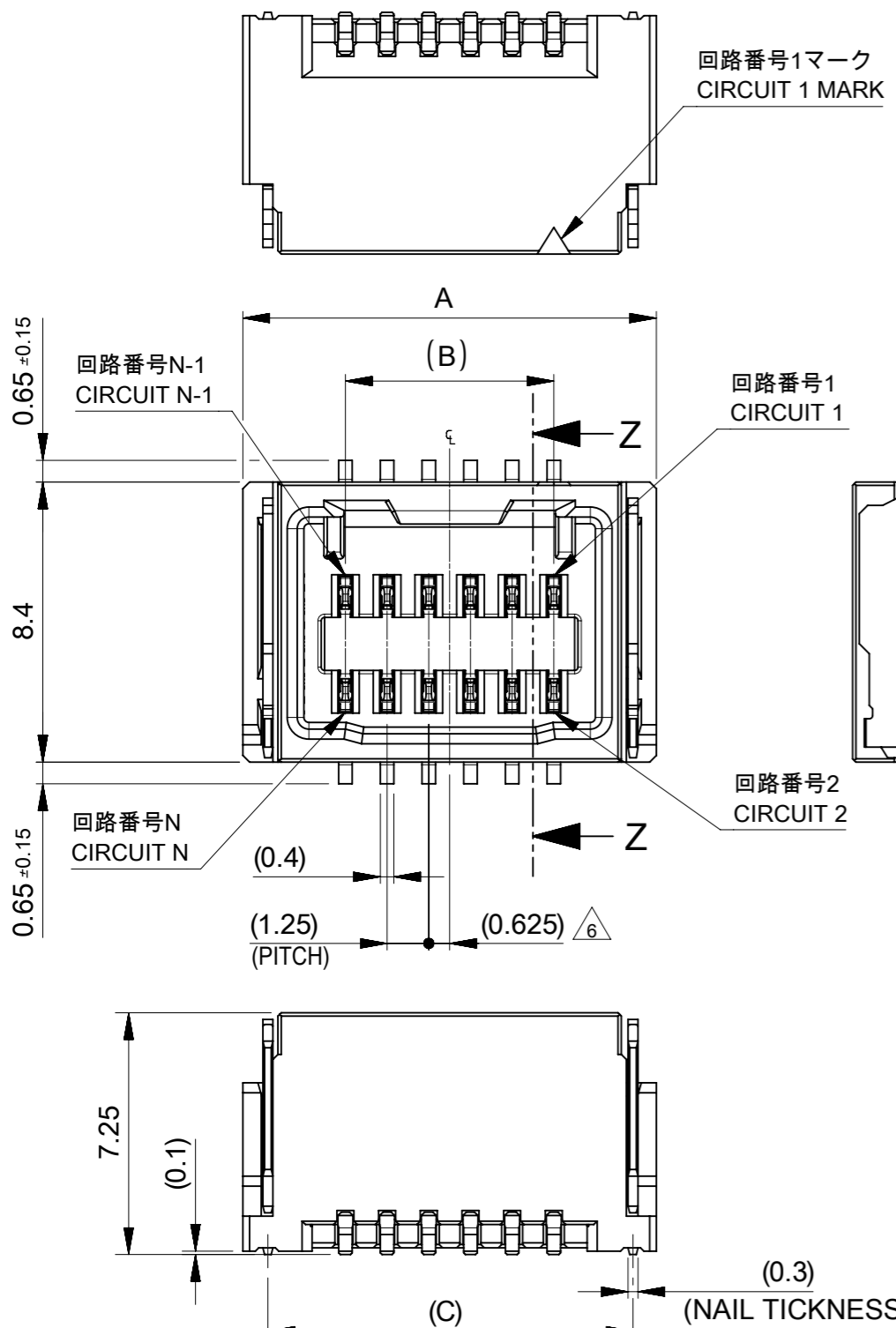


注記 NOTES

- 1. 材質及び仕上げ(めっき仕様) : TABLE1及びTABLE2, TABLE3参照
MATERIAL AND FINISHES : SEE TABLE1, TABLE2 AND TABLE3
- 2. 製品仕様書 : 2045230001-PS PS 000
PRODUCT SPECIFICATION: 20452300001-PS PS 000
- 3. 嵌合相手 : 204523シリーズ (4-14極)
MATE WITH : 204523 SERIES (4-14 CIRCUIT)
- 4. 端子テール部 及び ネイルの平坦度 : 0.12 MAXIMUM.
TAIL AND NAIL COPLANARITY TO BE 0.12 MAXIMUM.
- 5. コネクタ取扱説明書 : AS-505432-001 PS-001
APPLICATION SPECIFICATION : AS-505432-001 PS 001
- 6. 極数 / 2 = 偶数に適用。
APPLY FOR CIRCUIT SIZE / 2 = EVEN.
- 7. オーダー番号
ORDER NO.



207760 ****

極数 CIRCUIT SIZE	番号 NO.	ハウジング色 HOUSING COLOR
	0	ナチュラル(白) NATURAL(WHITE)
	1	黒 BLACK
	2	赤 RED
	3	黄 YELLOW
	4	青 BLUE

番号 NO.	カバーテープ COVER TAPE
7	無 WITHOUT
8	有 WITH

7. オーダー番号一覧 ORDER NO. LIST

			NOT COMPLIANT			COMPLIANT		LOW HALOGEN	
			青 BLUE	黄 YELLOW	赤 RED	黒 BLACK	ナチュラル(白) NATURAL (WHITE)	ハウジング色 HOUSING COLOR	
12.2	7.5	13.65	---	---	---	2077601481	2077601480	14	
10.95	6.25	12.4	---	---	---	2077601281	2077601280	12	
9.7	5	11.15	---	---	---	2077601081	2077601080	10	
8.45	3.75	9.9	---	---	---	2077600881	2077600880	8	
8.1	2.5	9.55	2077600684	2077600683	2077600682	2077600681	2077600680	6	
6.85	1.25	8.3	2077600484	2077600483	2077600482	2077600481	2077600480	4	
12.2	7.5	13.65	---	---	---	2077601471	2077601470	14	
10.95	6.25	12.4	---	---	---	2077601271	2077601270	12	
9.7	5	11.15	---	---	---	2077601071	2077601070	10	
8.45	3.75	9.9	---	---	---	2077600871	2077600870	8	
8.1	2.5	9.55	2077600674	2077600673	2077600672	2077600671	2077600670	6	
6.85	1.25	8.3	2077600474	2077600473	2077600472	2077600471	2077600470	4	
C	B	A	オーダー番号 ORDER NO.					極数 CIRCUIT SIZE	カバーテープ COVER TAPE
梱包形態 PACKAGING STYLE インボステープ、リール EMBOSSED TAPE AND REEL									

TABLE 1

番号 NO.	部品 PART	材質 MATERIAL	
①	ハウジング HOUSING	ポリアミド(PA) UL94V-0 色 : 表参照 POLYAMIDE(PA) UL94V-0 COLOR : SEE CHART	
②	ターミナル TERMINAL	黄銅 BRASS	
		接点部、テール部めっき CONTACT, TAIL PLATING	錫ビスマスめっき : 1.0 micro-meter MINIMUM. MATTE TIN-BISMUTH PLATING
③	ネイル NAIL	黄銅 BRASS	
		テール部めっき TAIL PLATING	錫ビスマスめっき : 1.0 micro-meter MINIMUM. MATTE TIN-BISMUTH PLATING
		下地めっき UNDER PLATING	ニッケルめっき : 1.0 micro-meter MINIMUM. NICKEL PLATING (UNDER PLATING)

THIS DRAWING CONTAINS INFORMATION THAT IS PROPRIETARY TO MOLEX ELECTRONIC TECHNOLOGIES, LLC AND SHOULD NOT BE USED WITHOUT WRITTEN PERMISSION

DIMENSION UNITS: mm SCALE: NTS

GENERAL TOLERANCES (UNLESS SPECIFIED):

ANGULAR TOL ± 3.0°

4 PLACES ± 0.2

3 PLACES ± 0.2

2 PLACES ± 0.2

1 PLACE ± 0.2

0 PLACES ± 0.2

DRAFT WHERE APPLICABLE MUST REMAIN WITHIN DIMENSIONS

THIRD ANGLE PROJECTION

DRAWING: A3-SIZE

SERIES: 207760

MATERIAL NUMBER: SEE CHART

CUSTOMER: GENERAL

SHEET NUMBER: 1 OF 4

CURRENT REV DESC: RELEASED

EC NO: 627644

DRWN: SOKUMURA01 2020/01/15

CHK'D: SAKIYAMA 2020/01/16

APPR: KOMURAKAMI 2020/01/16

INITIAL REVISION:

DRWN: TENAGASE 2019/05/31

APPR: KOMURAKAMI 2020/01/16

DOCUMENT NUMBER: 2077600000-SD

DOC TYPE: PSD

DOC PART: 000

REVISION: A

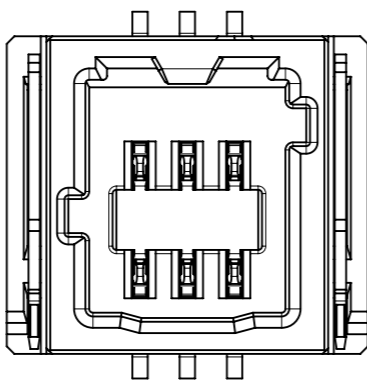
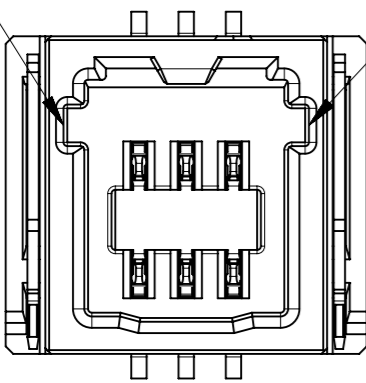
molex

MICRO-LOCK PLUS 1.25W/B
DUAL ROW VT SMT PLUG ASSEMBLY FOR POTTING

PRODUCT CUSTOMER DRAWING

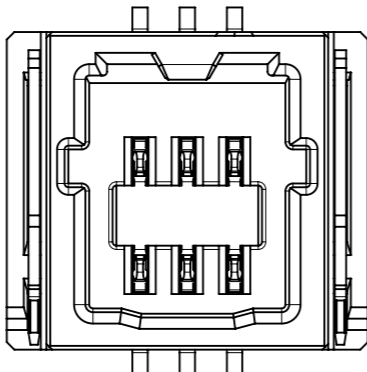
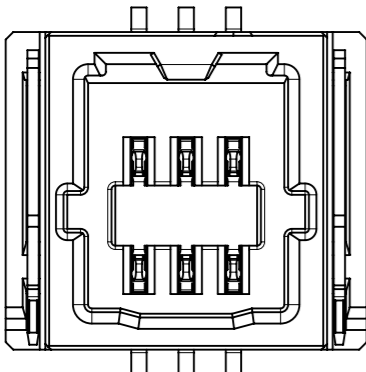
極性キー
POLARIZATION
KEY

極性キー
POLARIZATION
KEY



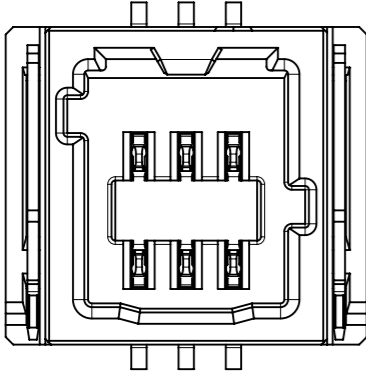
207760***0
ナチュラル(白)
NATURAL(WHITE)

207760***3
黄
YELLOW



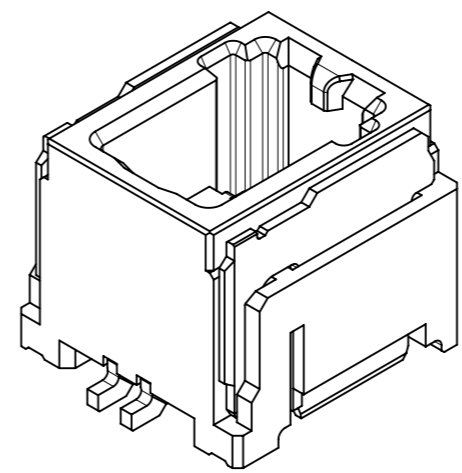
207760***1
黒
BLACK

207760***4
青
BLUE

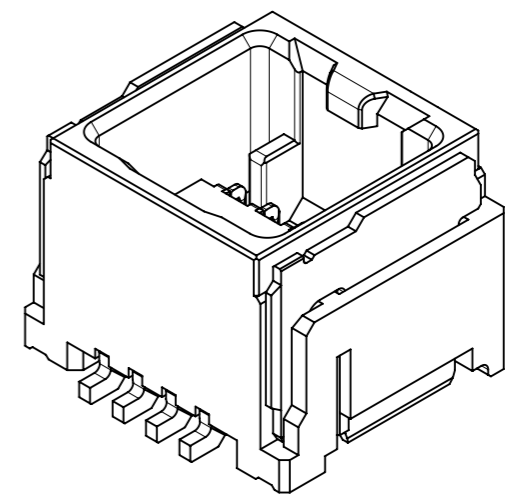


207760***2
赤
RED

カラー & キー位置 (4,6極)
COLOR & KEY POSITION (4,6 CIRCUIT)

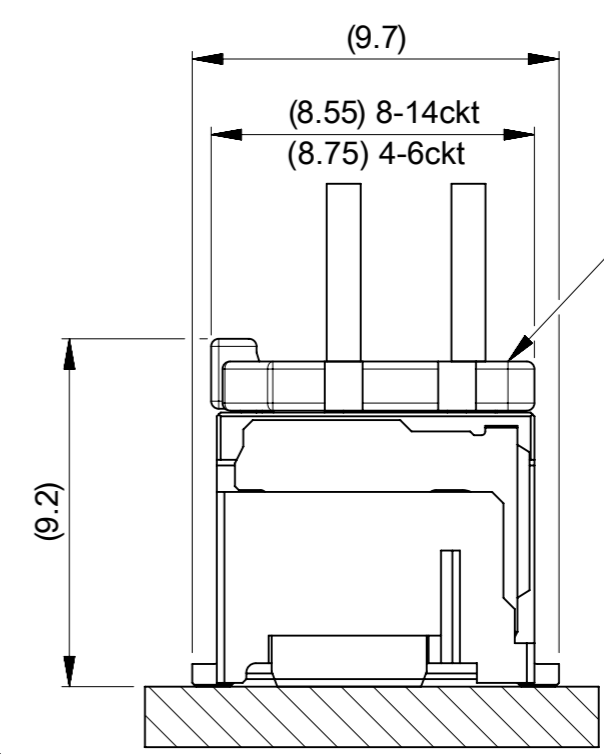
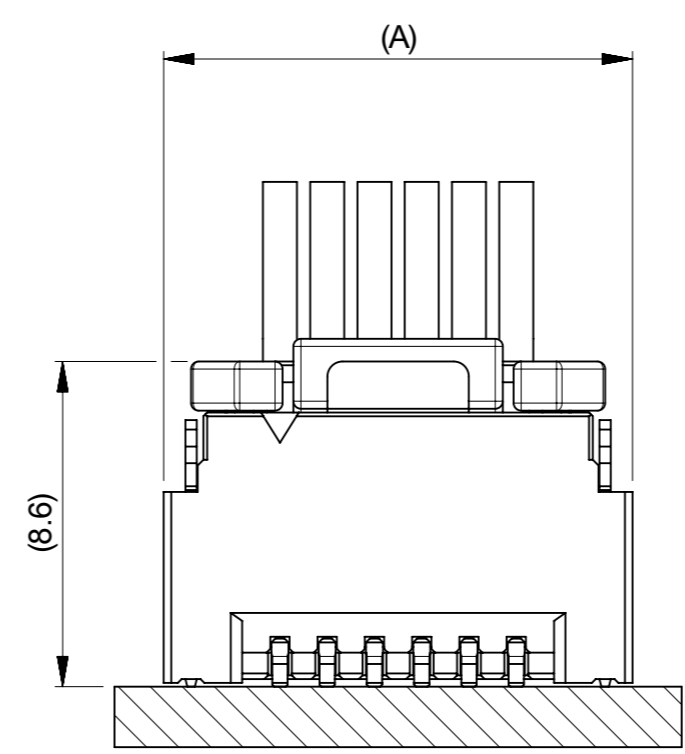


4-6極
4-6 CIRCUIT



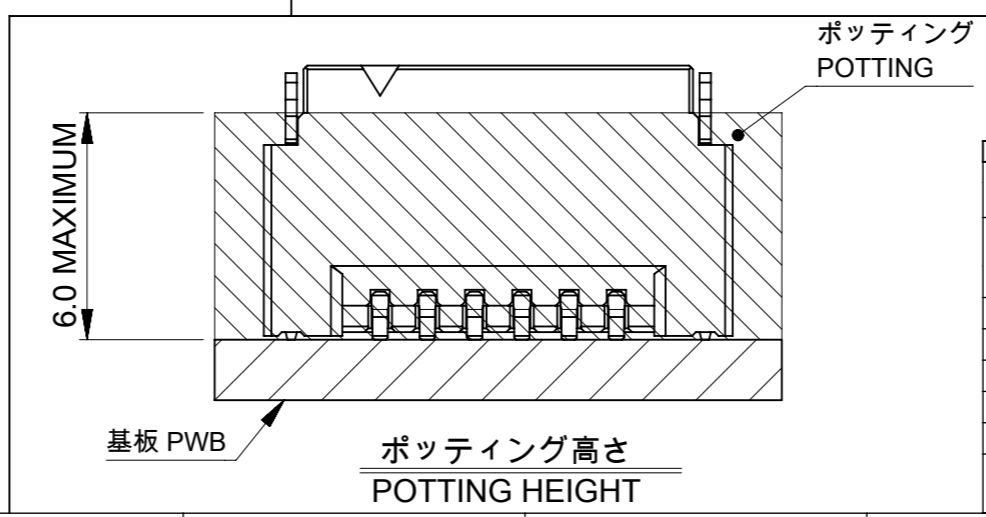
8-14極
8-14 CIRCUIT

製品形状
PRODUCT SHAPE

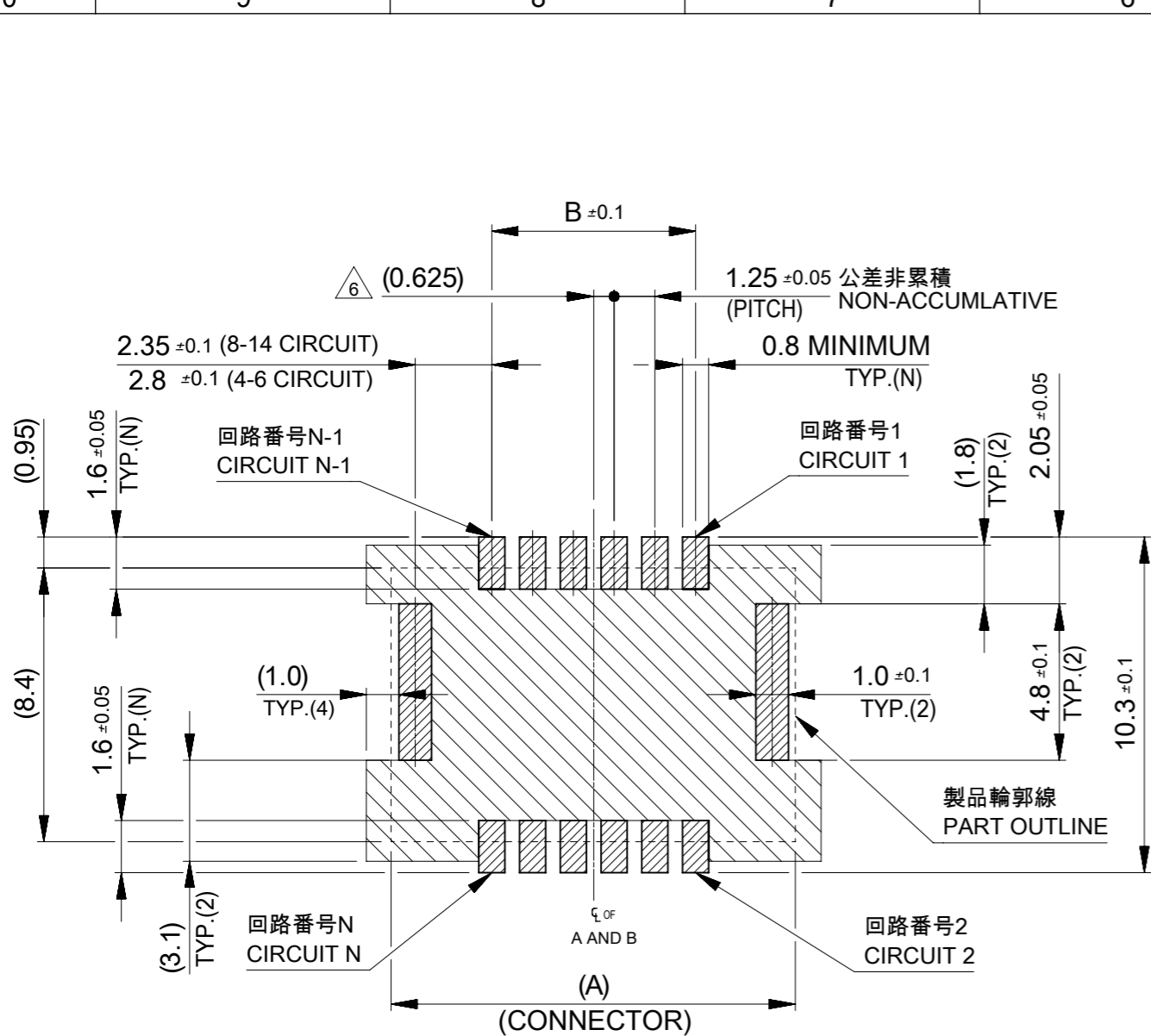


△3 嵌合相手 : 204523シリーズ
MATE WITH : 204523SERIES

△3 嵌合図
MATED CONNECTORS



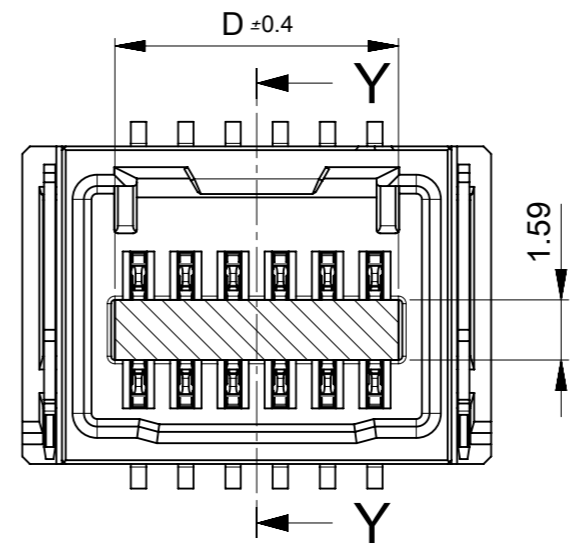
THIS DRAWING CONTAINS INFORMATION THAT IS PROPRIETARY TO MOLEX ELECTRONIC TECHNOLOGIES, LLC AND SHOULD NOT BE USED WITHOUT WRITTEN PERMISSION		CURRENT REV DESC: RELEASED		molex	
DIMENSION UNITS	SCALE				
mm	NTS			PRODUCT CUSTOMER DRAWING	
GENERAL TOLERANCES (UNLESS SPECIFIED)		EC NO: 627644		DOCUMENT NUMBER	
ANGULAR TOL	± 3.0°	DRWN: SOKUMURA01	2020/01/15	2077600000-SD	
4 PLACES	± 0.2	CHK'D: SAKIYAMA	2020/01/16	DOC TYPE	DOC PART
3 PLACES	± 0.2	APPR: KOMURAKAMI	2020/01/16	PSD	000
2 PLACES	± 0.2	INITIAL REVISION:		REVISION	
1 PLACE	± 0.2	DRWN: TENAGASE	2019/05/31	A	
0 PLACES	± 0.2	APPR: KOMURAKAMI	2020/01/16		
DRAFT WHERE APPLICABLE MUST REMAIN WITHIN DIMENSIONS		THIRD ANGLE PROJECTION	DRAWING	SERIES	MATERIAL NUMBER
			A3-SIZE	207760	CUSTOMER
				SEE SHEET 1	GENERAL
				SHEET NUMBER	
				2 OF 4	



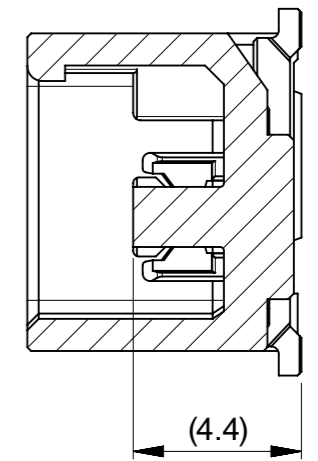
パターン禁止エリア
 RESTRICTED AREA
 NO PWB COMPONENTS ALL ALLOWED

 パターンエリア
 PATTERN AREA

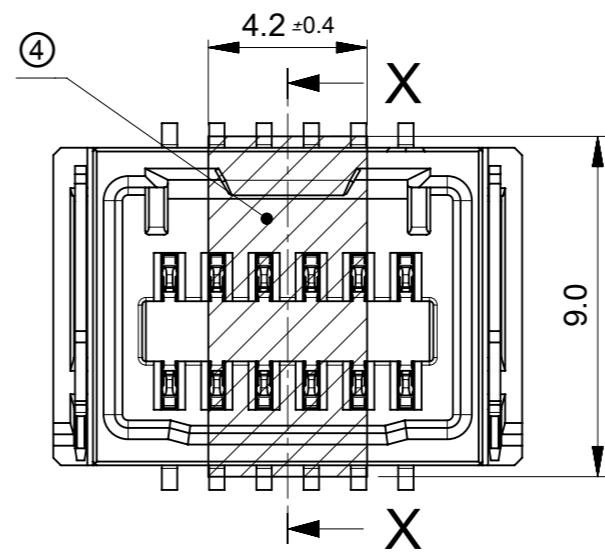
推奨基板レイアウト:実装面側
 (参考:基板厚1.6mm,メタルマスク厚さ0.15mm,マスク開口率100%)
 RECOMMENDED PWB LAYOUT: COMPONENT SIDE
 (REFERENCE:PWB THICKNESS 1.6mm, STENCIL THICKNESS 0.15mm, APERTURE RATIO 100%)



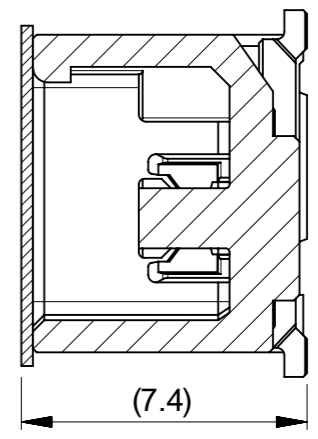
カバーテープ無
 WITHOUT COVER TAPE
 207760 **7*



SECTION Y-Y
 吸着高さ
 VACUUM HEIGHT



カバーテープ有
 WITH COVER TAPE
 207760 **8*



SECTION X-X
 カバーテープ高さ
 COVER TAPE HEIGHT

吸着エリア
 VACUUM AREA

8.75	14	無 WITHOUT
7.5	12	
6.25	10	
5	8	
3.75	6	
2.5	4	
D	極数 CIRCUIT SIZE	カバーテープ COVER TAPE

TABLE 2

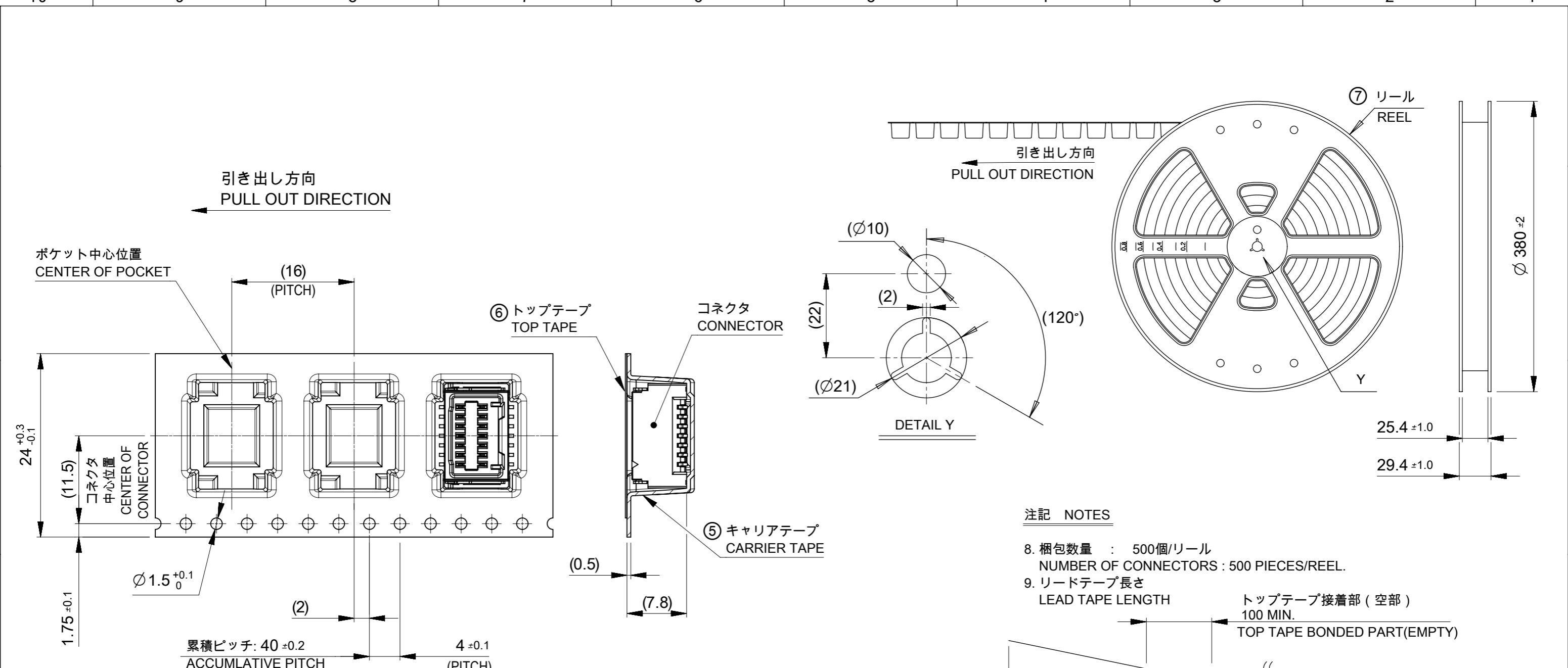
番号 NO.	部品 PART	材質 MATERIAL
④	カバーテープ COVER TAPE	ポリイミド POLYIMIDE

DOCUMENT STATUS | P1 | RELEASE DATE | 2020/01/16 08:56:41

THIS DRAWING CONTAINS INFORMATION THAT IS PROPRIETARY TO MOLEX ELECTRONIC TECHNOLOGIES, LLC AND SHOULD NOT BE USED WITHOUT WRITTEN PERMISSION

DIMENSION UNITS	SCALE	CURRENT REV DESC: RELEASED	
mm	NTS		
GENERAL TOLERANCES (UNLESS SPECIFIED)			
ANGULAR TOL	± 3.0°	EC NO: 627644	
4 PLACES	± 0.2	DRWN: SOKUMURA01	2020/01/15
3 PLACES	± 0.2	CHK'D: SAKIYAMA	2020/01/16
2 PLACES	± 0.2	APPR: KOMURAKAMI	2020/01/16
1 PLACE	± 0.2	INITIAL REVISION:	
0 PLACES	± 0.2	DRWN: TENAGASE	2019/05/31
DRAFT WHERE APPLICABLE MUST REMAIN WITHIN DIMENSIONS		APPR: KOMURAKAMI	2020/01/16
THIRD ANGLE PROJECTION		DRAWING	SERIES
		A3-SIZE	207760
MATERIAL NUMBER		CUSTOMER	SHEET NUMBER
2077600000-SD		GENERAL	3 OF 4

molex
 MICRO-LOCK PLUS 1.25W/B
 DUAL ROW VT SMT PLUG ASSEMBLY FOR POTTING
 PRODUCT CUSTOMER DRAWING
 DOCUMENT NUMBER: 2077600000-SD | DOC TYPE: PSD | DOC PART: 000 | REVISION: A



注記 NOTES

- 8. 梱包数量 : 500個/リール
NUMBER OF CONNECTORS : 500 PIECES/REEL.
- 9. リードテープ長さ
LEAD TAPE LENGTH
トップテープ接着部 (空部)
100 MIN.
TOP TAPE BONDED PART (EMPTY)
- 部品挿入部
COMPONENT
SUPPLIER
- 末端部(空部)
TAIL PART
(EMPTY)
160 MINIMUM
- 400 MINIMUM
- 10. トップテープの剥離強度については、IEC60286-3に準拠
TOP TAPE PEELING FORCE IS DEFINED BY IEC60286-3.
- 11. 梱包仕様書 : 2077609200-SPK PS 200
PACKING SPECIFICATION : 2077609200-SPK PS 200

TABLE3

番号 NO.	部品 PART	材質 MATERIAL
⑤	キャリアテープ CARRIER TAPE	ポリスチレン(PS) POLYSTYRENE(PS)
⑥	トップテープ TOP TAPE	ポリエチレン(PE)、その他 POLYETHYLENE(PE), etc
⑦	リール REEL	ポリスチレン(PS) <リサイクル材を含む> POLYSTYRENE(PS) <RECYCLE MATERIAL CONTAINED >

THIS DRAWING CONTAINS INFORMATION THAT IS PROPRIETARY TO MOLEX ELECTRONIC TECHNOLOGIES, LLC AND SHOULD NOT BE USED WITHOUT WRITTEN PERMISSION		CURRENT REV DESC: RELEASED		molex	
DIMENSION UNITS mm	SCALE NTS	GENERAL TOLERANCES (UNLESS SPECIFIED)			
ANGULAR TOL ± 3.0°		EC NO: 627644		DOCUMENT NUMBER	
4 PLACES ± 0.2		DRWN: SOKUMURA01 2020/01/15		DOC TYPE DOC PART REVISION	
3 PLACES ± 0.2		CHK'D: SAKIYAMA 2020/01/16		2077600000-SD PSD 000 A	
2 PLACES ± 0.2		APPR: KOMURAKAMI 2020/01/16		PRODUCT CUSTOMER DRAWING	
1 PLACE ± 0.2		INITIAL REVISION:		MATERIAL NUMBER	
0 PLACES ± 0.2		DRWN: TENAGASE 2019/05/31		CUSTOMER	
DRAFT WHERE APPLICABLE MUST REMAIN WITHIN DIMENSIONS		APPR: KOMURAKAMI 2020/01/16		SEE SHEET 1 GENERAL	
THIRD ANGLE PROJECTION		DRAWING		SHEET NUMBER	
A3-SIZE		SERIES		4 OF 4	
207760		207760			