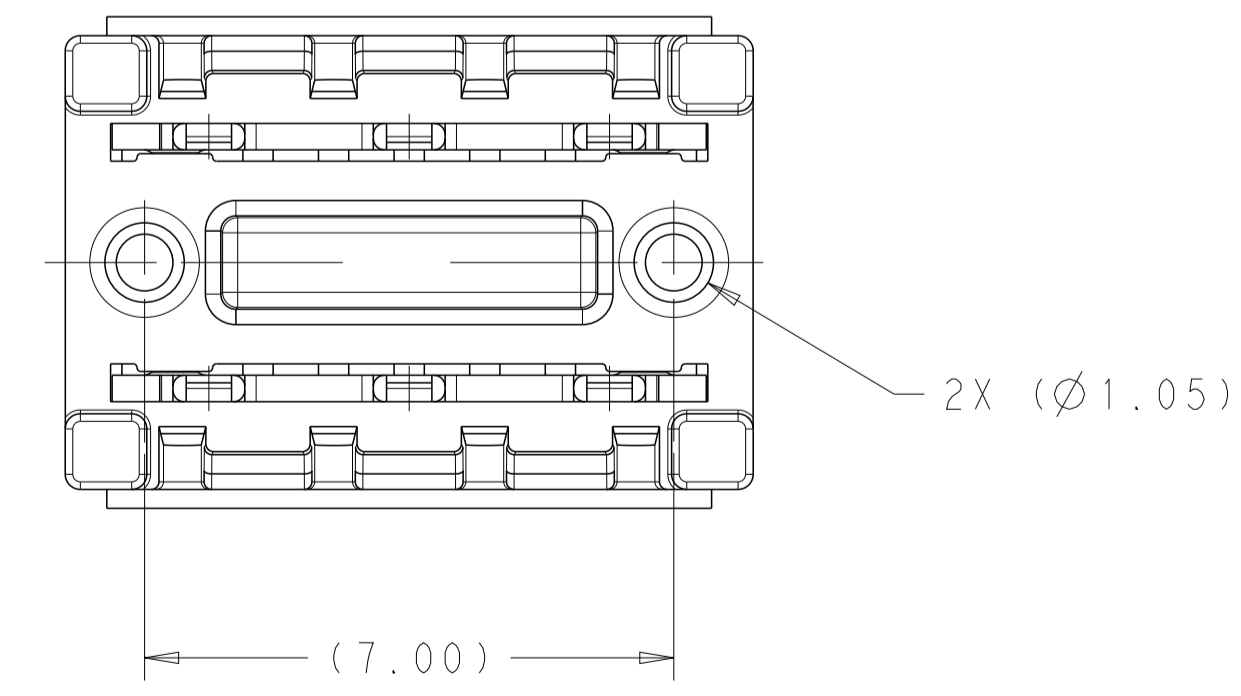
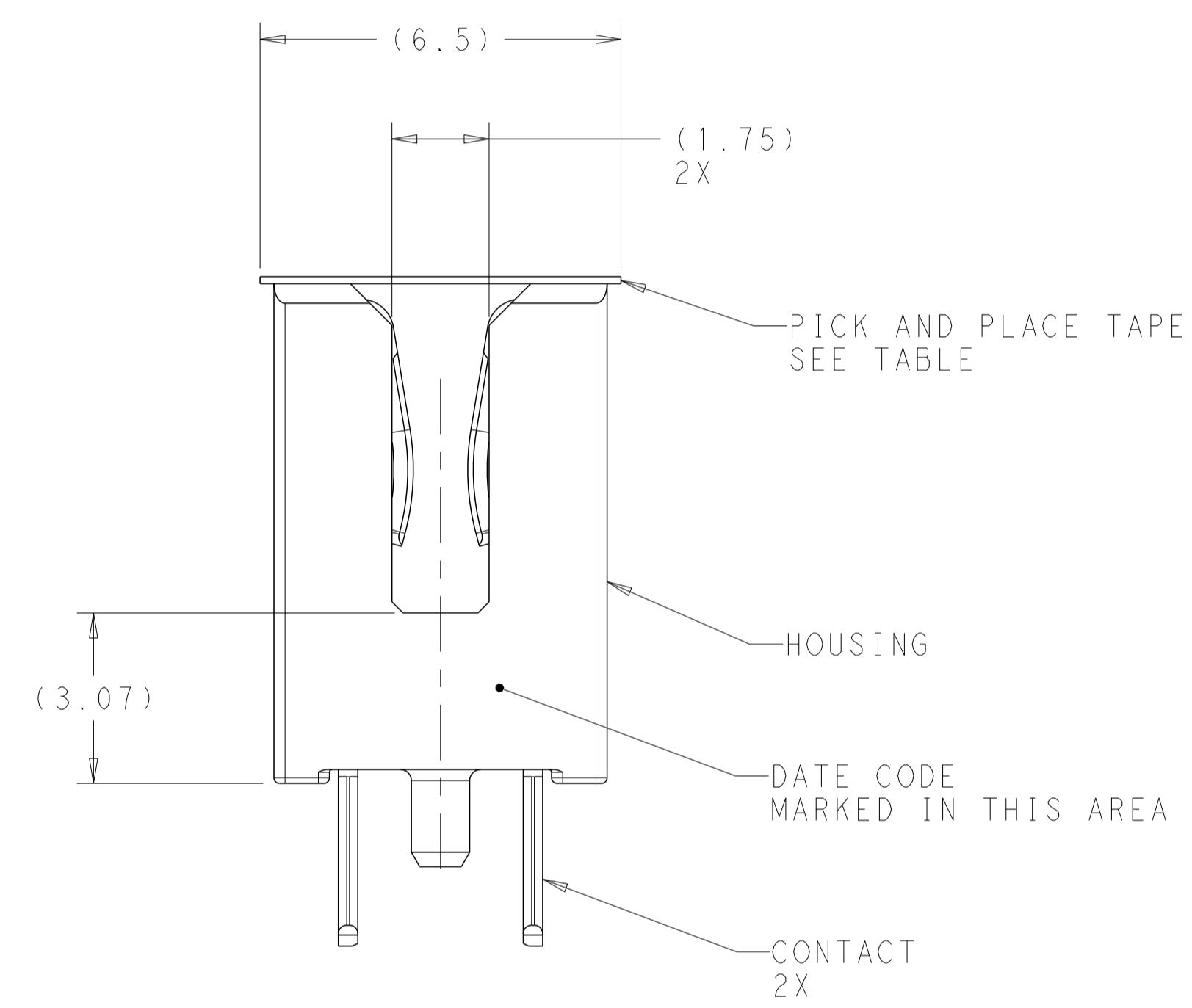
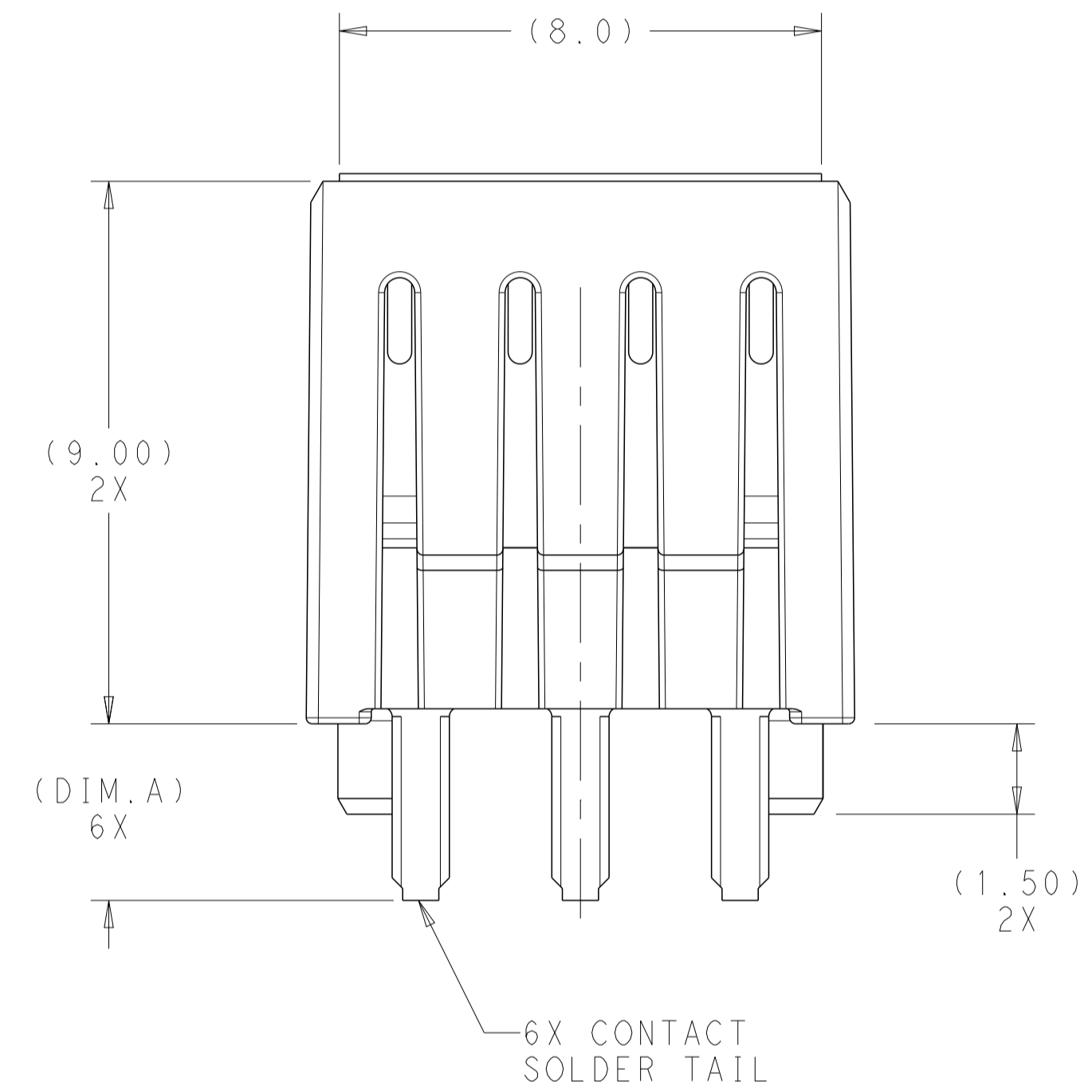
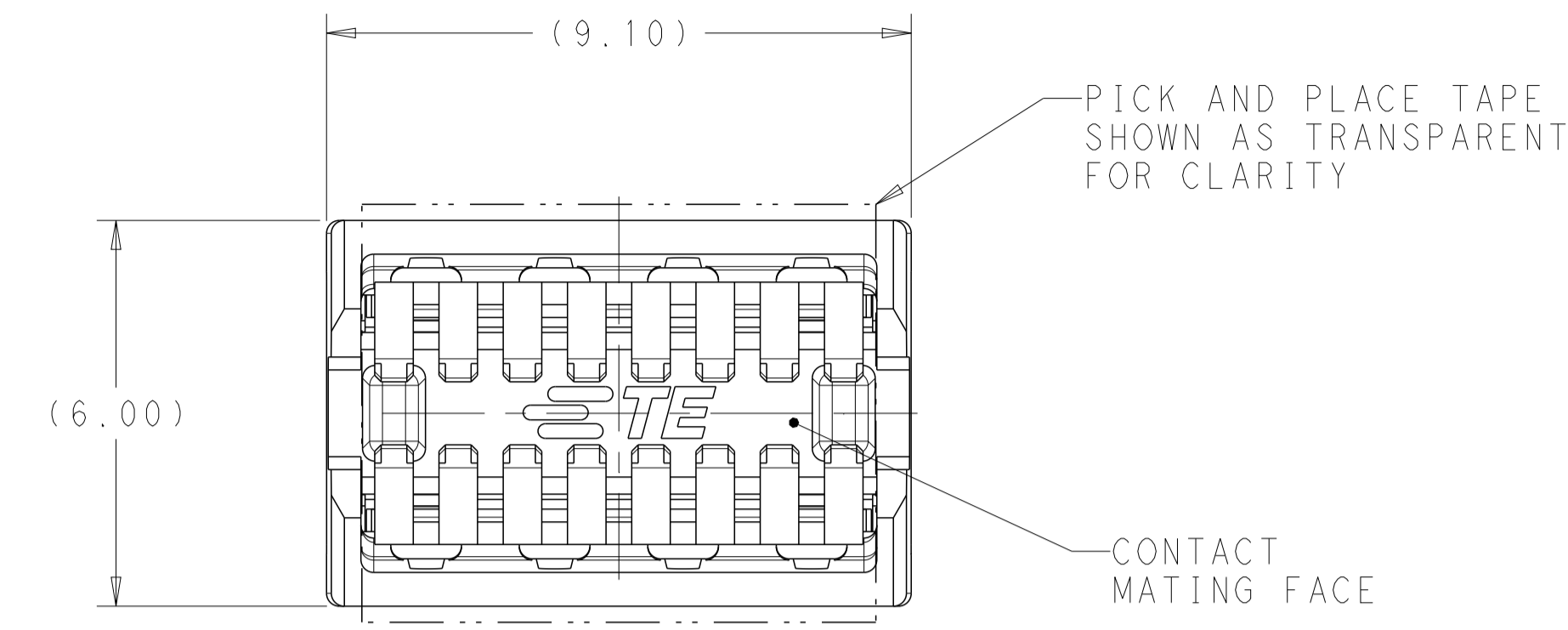


REVISIONS				
P	LTN	DESCRIPTION	DATE	APV'D
C		REVISED PER ECO-20-005713	05MAY2020	AP AH
E		REVISED PER ECO-20-017965	28DEC2020	TX DZ
F		REVISED PER ECN-21-123958	28OCT2021	TM DZ
F1		REVISED PER ECN-22-168743	05AUG2022	TM DZ



- ① HOUSING - LCP, BLACK, CONTACTS - COPPER ALLOY, PICK AND PLACE TAPE - POLYIMIDE FILM.
- ② CONFORMS TO THE REQUIREMENTS OF TE PRODUCT SPECIFICATION 108-130028 BASED ON TELCORDIA GR-1217-CORE FOR SYSTEM QUALITY LEVEL III, APPLICATIONS IN CONTROLLED ENVIRONMENTS (CENTRAL OFFICE). REFERENCE: CONTACT MATE AREAS PLATED 0.38um MIN GOLD OR 0.03um MIN GOLD OVER 0.30um MIN PALLADIUM NICKEL, SOLDER TAILS PLATED MATTE-TIN.
- ③ DATUMS AND BASIC DIMENSIONS ESTABLISHED BY CUSTOMER.
- 4. MINIMUM HOST PCB THICKNESS: 1.5.
- ⑤ SEE MSA SPECIFICATION SFF-1002 FOR ADDITIONAL PADDLE CARD LAYOUTS COMPATIBLE WITH THIS RECEPTACLE AND FOR OPTIONAL SPLIT CONTACT PAD LAYOUTS FOR THE PADDLE CARD. SPECIFICATION PINOUT MAY ALSO DESIGNATE PAD SEQUENCE DIFFERENT FROM ILLUSTRATION.
- ⑥ CONFORMS TO THE REQUIREMENTS OF TE PRODUCT SPECIFICATION 108-130028 BASED ON TELCORDIA GR-1217-CORE FOR SYSTEM QUALITY LEVEL III, APPLICATIONS IN CONTROLLED ENVIRONMENTS (CENTRAL OFFICE). REFERENCE: CONTACT MATE AREAS PLATED 0.76um MIN GOLD, SOLDER TAILS PLATED MATTE-TIN.
- ⑦ 2344604-7 USES DRY PACKING WITH INDICATOR OF MSL 3.

2.93	⑥	YES	① 2344604-7
1.73	②	YES	2344604-5
2.93	⑥	YES	2344604-4
2.93	⑥	NO	2344604-3
2.93	②	YES	2344604-2
2.93	②	NO	2344604-1
DIM.A	FINISH	PICK AND PLACE TAPE	PART NO

THIS DRAWING IS A CONTROLLED DOCUMENT. DWG: J. McCLINTON 01OCT2018  
 CHK: HOWARD ANDREWS 01OCT2018  
 APV'D: HOWARD ANDREWS 01OCT2018

**STE** TE Connectivity

NAME: RECEPTACLE ASSEMBLY, POWER  
 PRODUCT SPEC: -  
 APPLICATION SPEC: -

DIMENSIONS: mm  
 TOLERANCES UNLESS OTHERWISE SPECIFIED:  
 0 PLC ±  
 1 PLC ±0.2  
 2 PLC ±0.2  
 3 PLC ±  
 4 PLC ±  
 ANGLES ±  
 FINISH ±

MATERIAL: -  
 FINISH: -

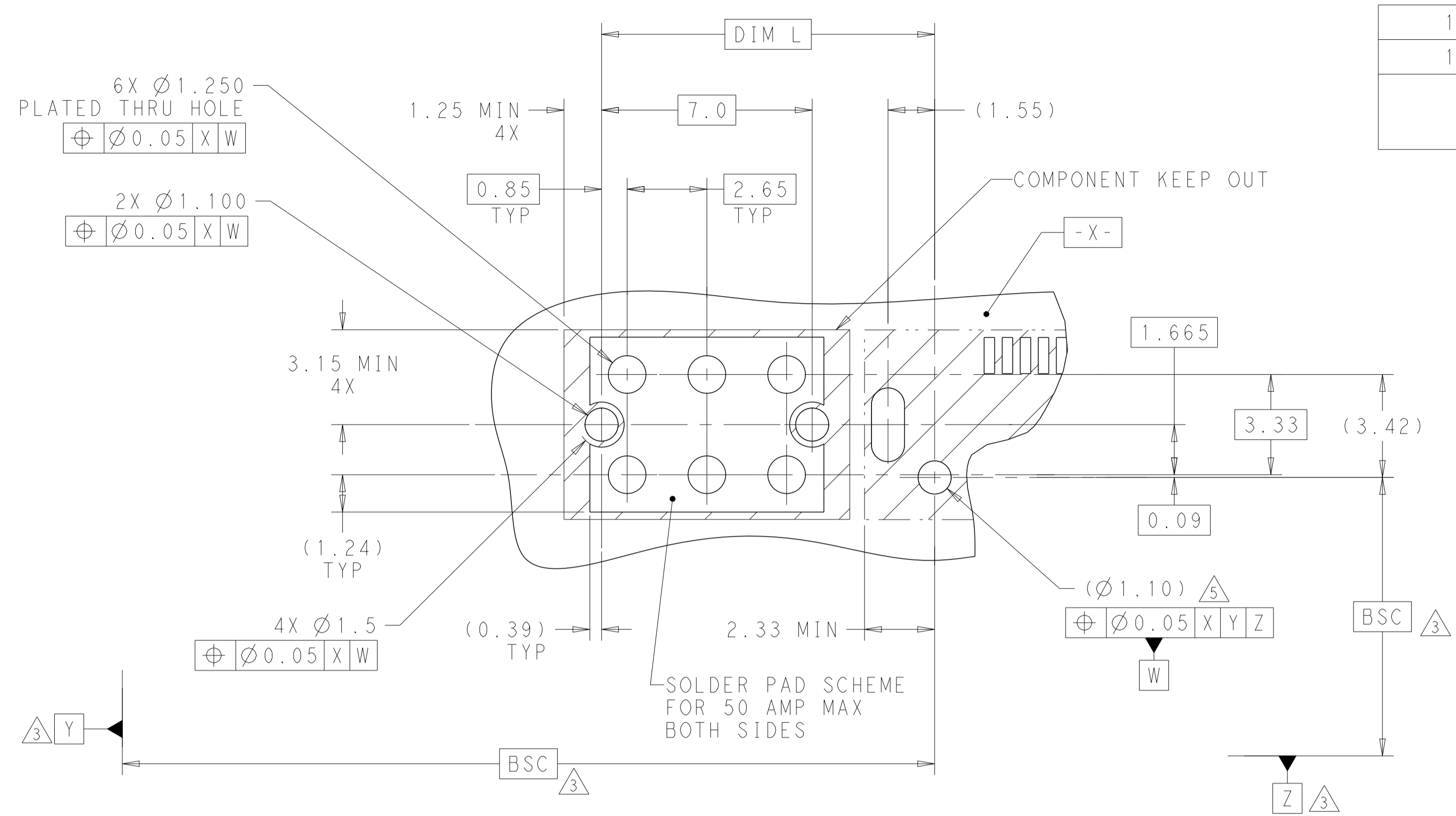
WEIGHT: -  
 CUSTOMER DRAWING

SIZE: A1  
 CAGE CODE: 100779  
 DRAWING NO: 2344604  
 RESTRICTED TO: -

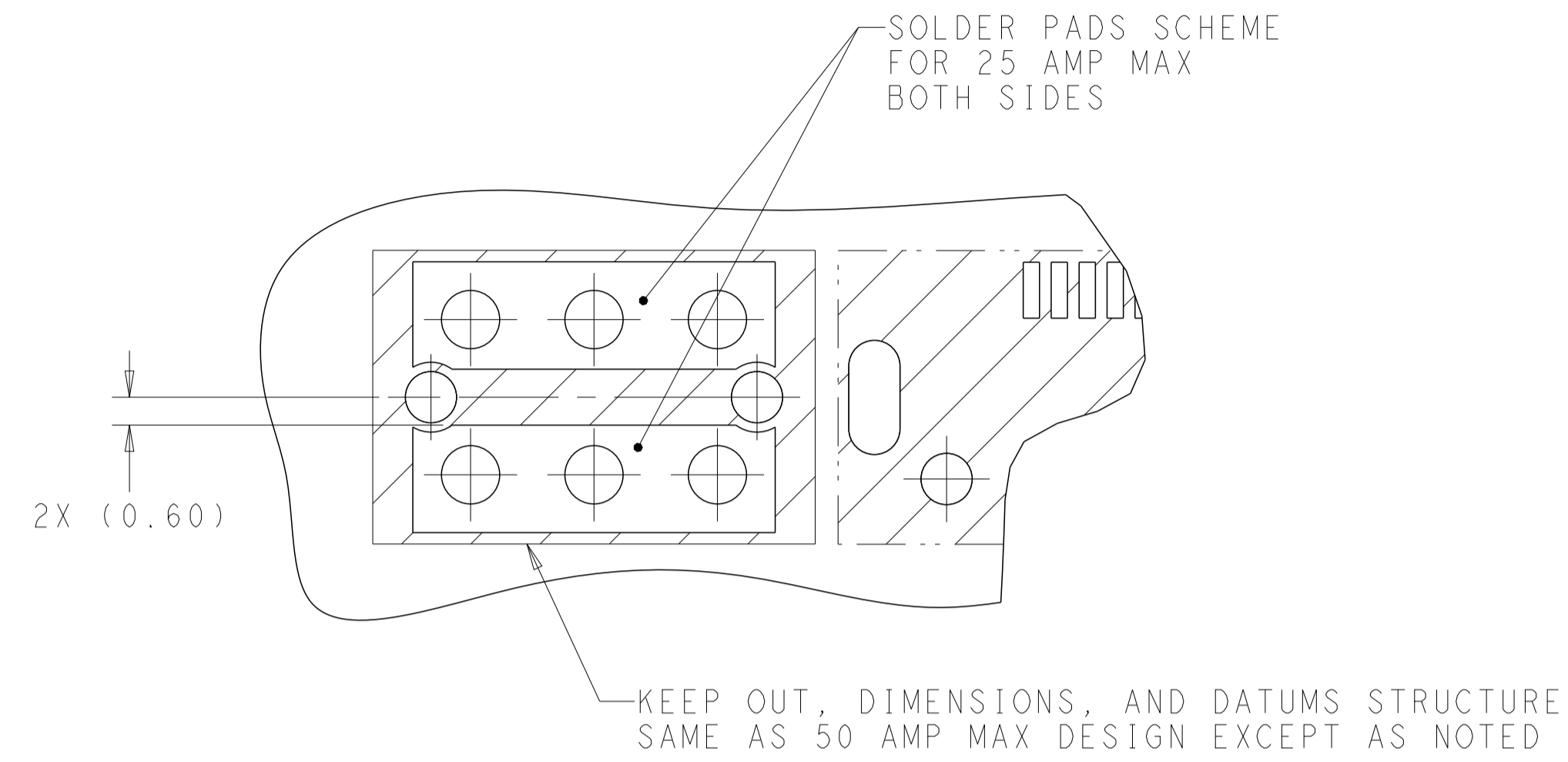
SCALE: 10:1  
 SHEET: 1 OF 3  
 REV: F1

REVISIONS				
P	LTN	DESCRIPTION	DATE	APVD
-	-	SEE SHEET 1	-	-

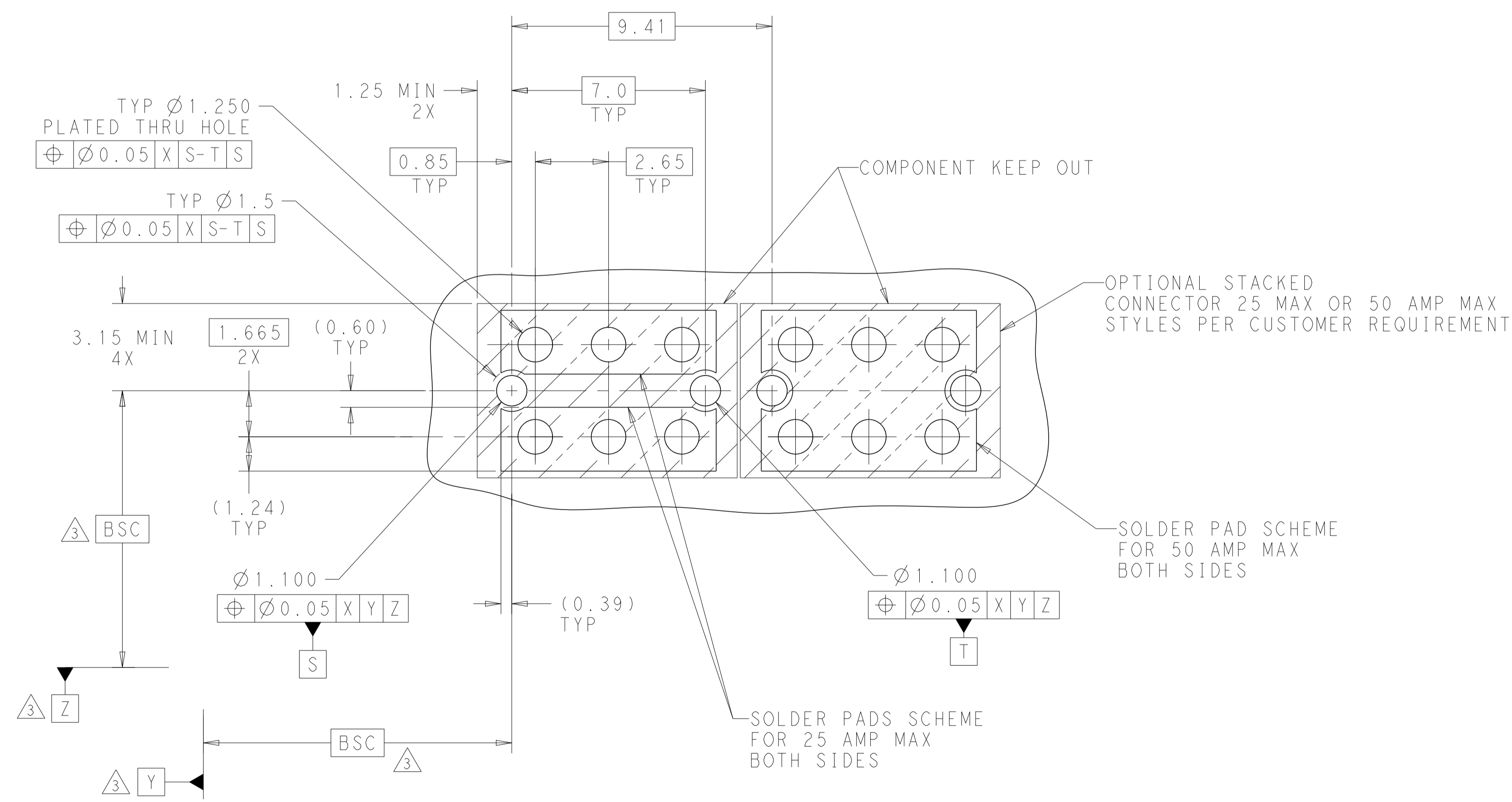
12.07	48V
11.07	12V
DIM L	VOLTAGE RATING



RECOMMENDED PCB LAYOUT AND KEEP OUT AREA PER SFF 1002



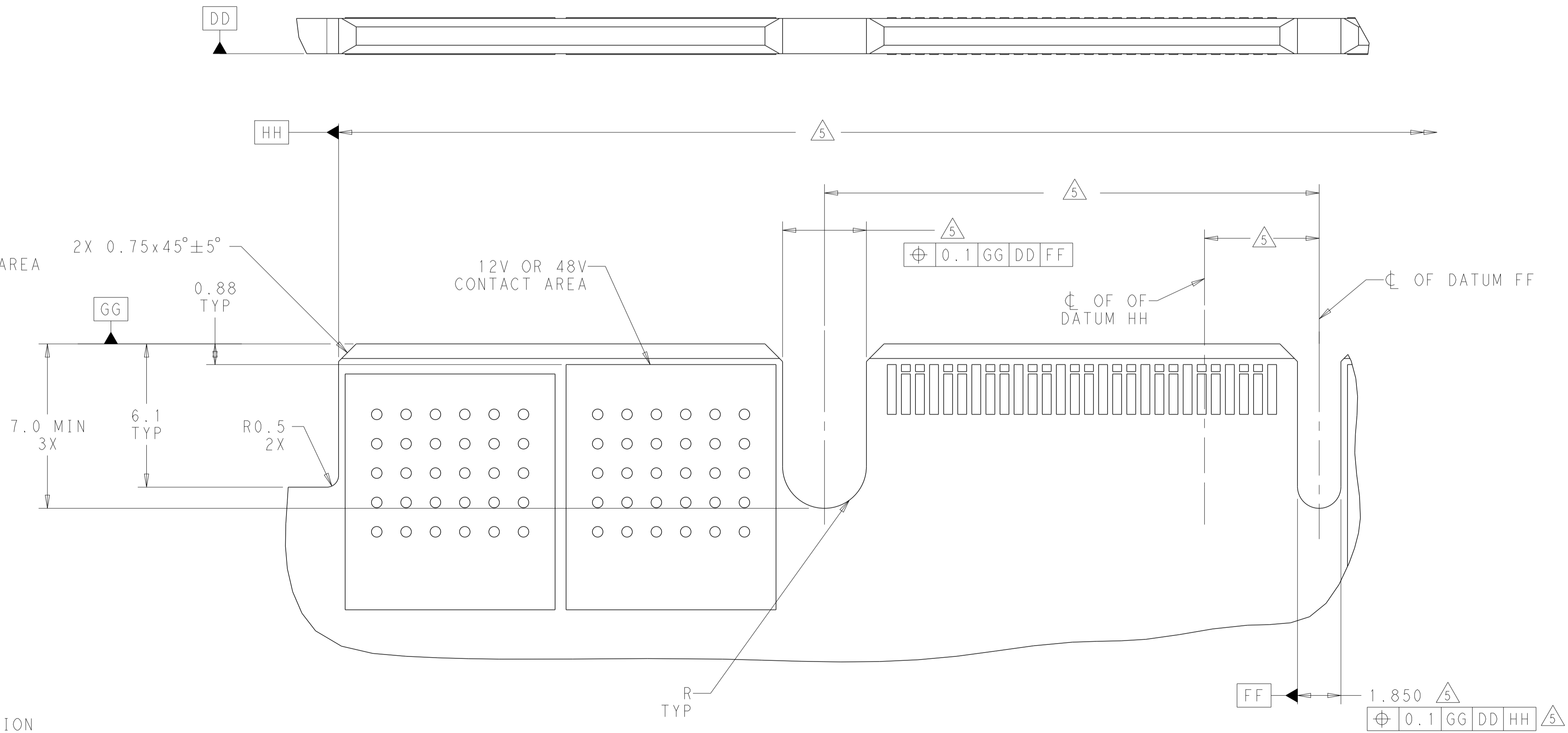
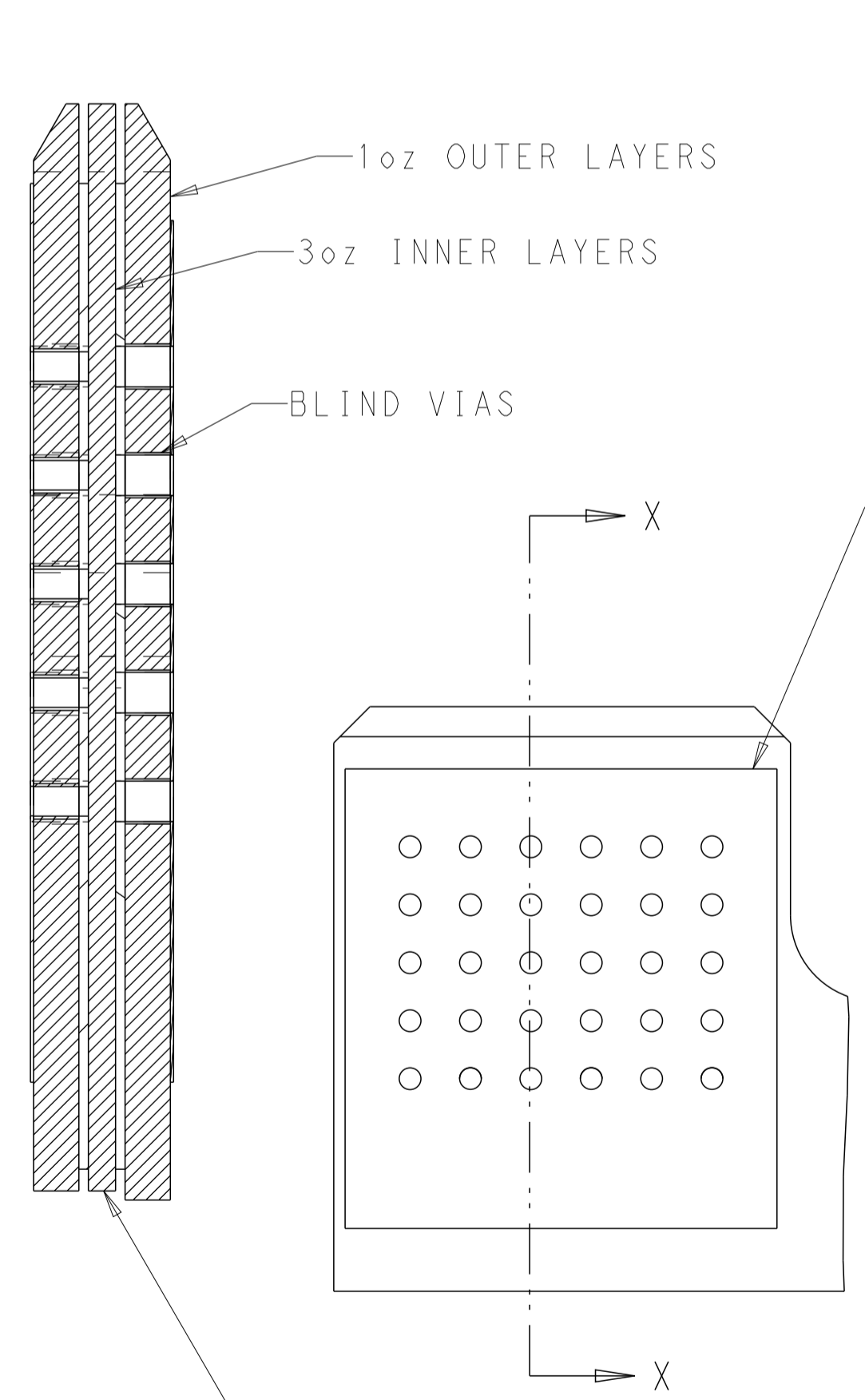
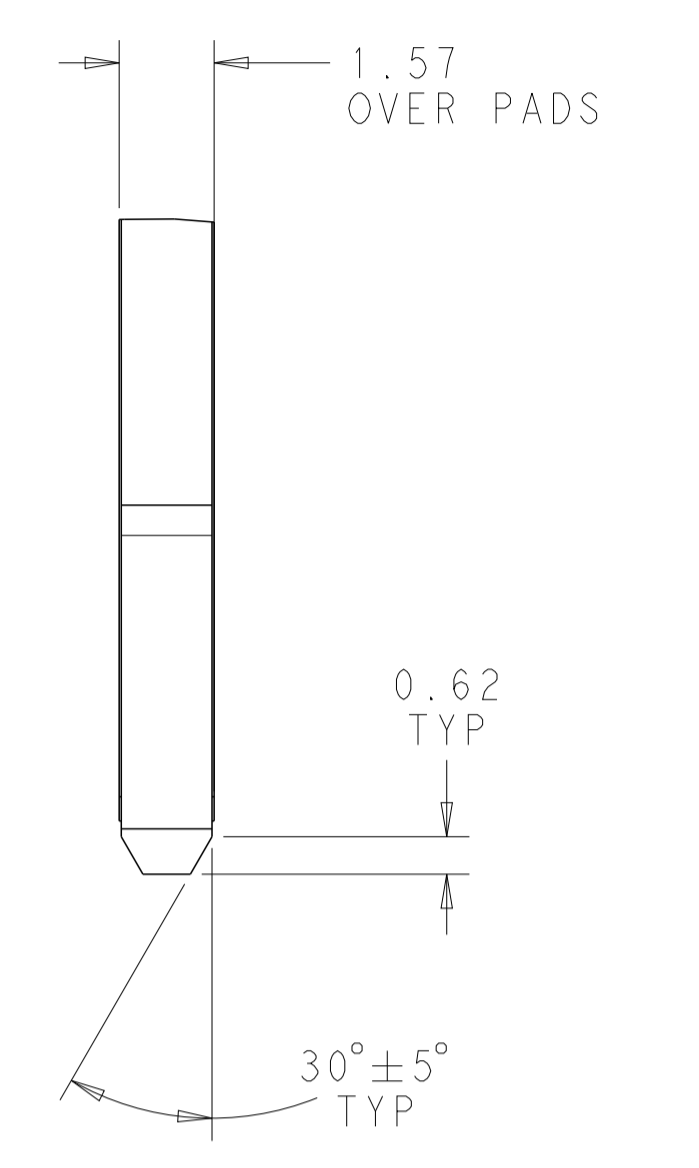
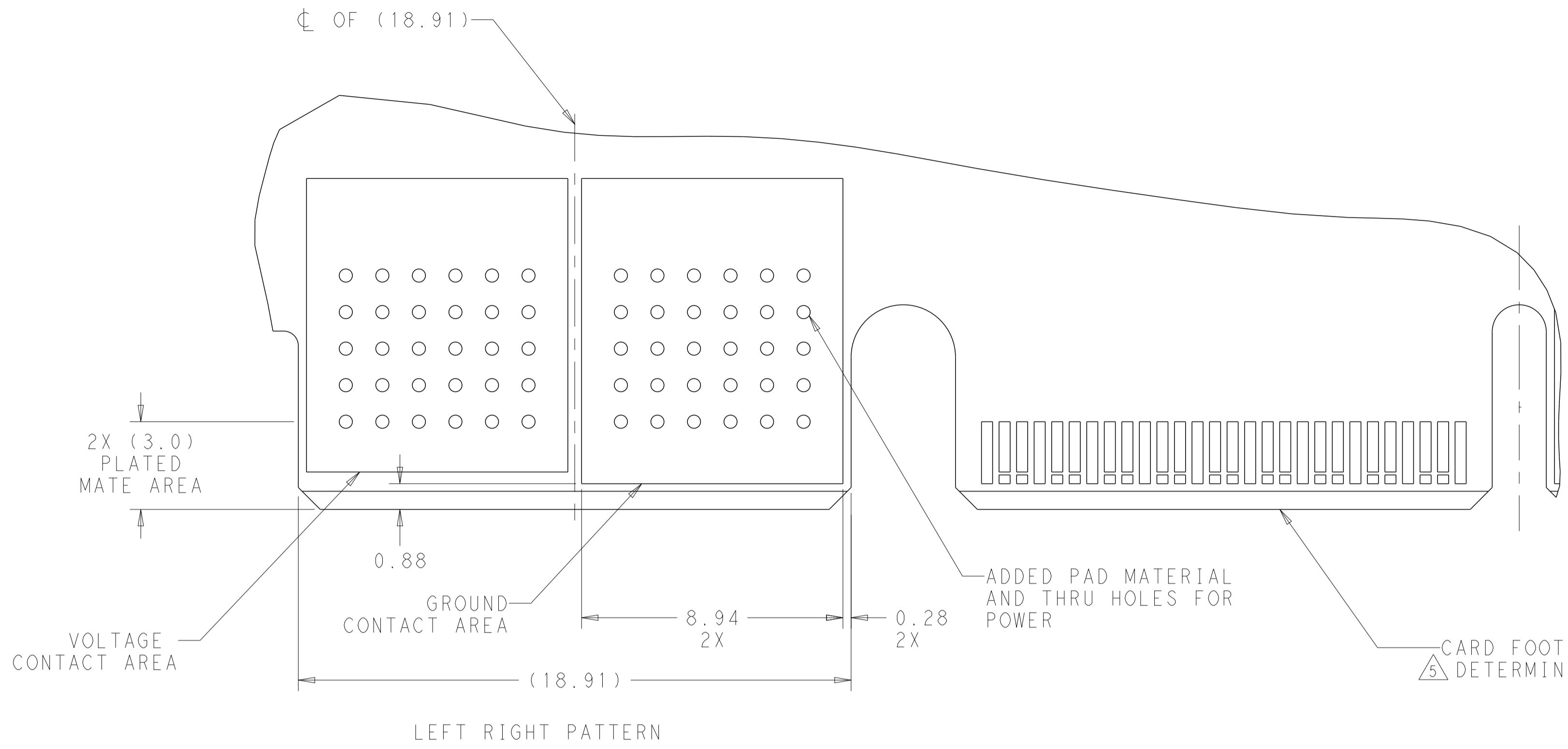
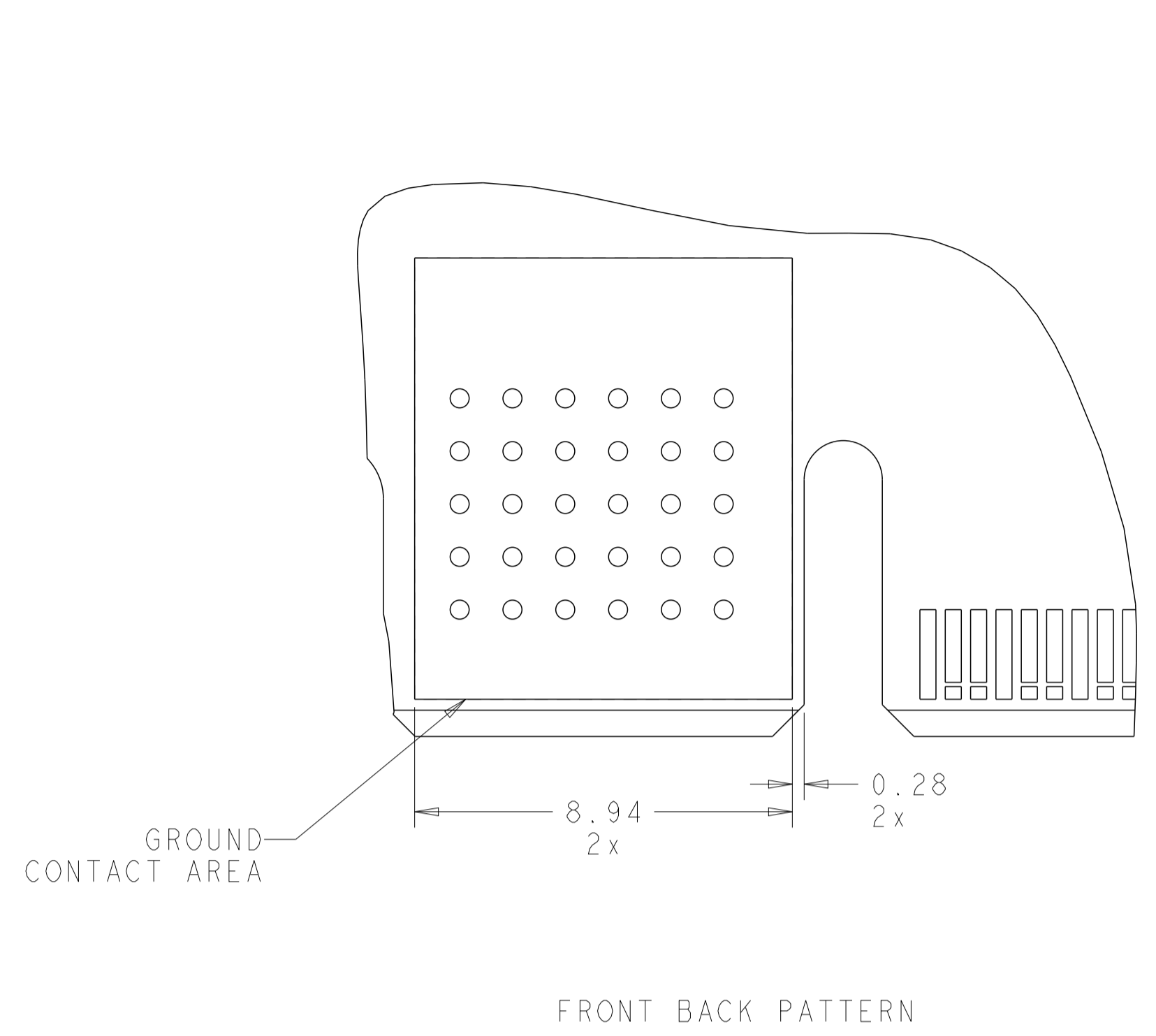
RECOMMENDED PCB LAYOUT AND KEEP OUT AREA PER SFF 1002



RECOMMENDED PCB LAYOUT AND KEEP OUT AREA FOR SINGLE OR STACKED CONNECTORS

THIS DRAWING IS A CONTROLLED DOCUMENT.		DWN J. McCLINTON 01OCT2018 CHK HOWARD ANDREWS 01OCT2018 APVD HOWARD ANDREWS 01OCT2018	TE Connectivity		
DIMENSIONS: mm 		TOLERANCES UNLESS OTHERWISE SPECIFIED: 0 PLC ±.2 1 PLC ±0.2 2 PLC ±0.2 3 PLC ±.2 4 PLC ±.2 ANGLES ±.1 FINISH ±.1		NAME RECEPTACLE ASSEMBLY, POWER PRODUCT SPEC - APPLICATION SPEC - SIZE CAGE CODE DRAWING NO. RESTRICTED TO A100779C=2344604 -	
MATERIAL -		WEIGHT -		CUSTOMER DRAWING SCALE 5:1 SHEET 2 OF 3 REV F1	

REVISIONS				
P.	LTN.	DESCRIPTION	DATE	APVD.
-	-	SEE SHEET 1	-	-



30VIA HOLES AS SHOWN ALLOW CONDUCTION FROM MATING SURFACE TO THICK INNER LAYERS.  
 FRONT BACK: PATTERN ARE BLIND VIAS  
 LEFT RIGHT: PATTERN ARE THROUGH HOLES

RECOMMENDED PCB (12V GEOMETRY SHOWN) OUTLINE DIMENSIONS. TOLERANCE VALUES ARE CRITICAL. PLEASE BE SURE TO DESIGNATE TOLERANCES TO PCB SUPPLIER TO ENSURE OPTIMIZED FUNCTIONALITY.

THIS DRAWING IS A CONTROLLED DOCUMENT.		OWN J. McCLINTON 01OCT2018	TE Connectivity
DIMENSIONS: mm		CHK HOWARD ANDREWS 01OCT2018	
TOLERANCES UNLESS OTHERWISE SPECIFIED:		APVD HOWARD ANDREWS 01OCT2018	NAME RECEPTACLE ASSEMBLY, POWER
0 PLC ±	1 PLC ±0.2	PRODUCT SPEC	SIZE CAGE CODE DRAWING NO
2 PLC ±0.2	3 PLC ±	APPLICATION SPEC	A100779C=2344604
4 PLC ±	ANGLES ±	WEIGHT	RESTRICTED TO
FINISH		CUSTOMER DRAWING	SCALE 5:1 SHEET 3 OF 3 REV F1