

NOTES:

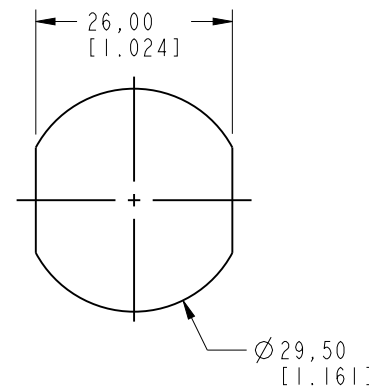
1. MATERIALS AND FINISHES:  
 BODY - BRASS, SILVER PLATING  
 CONTACT - SPRING BRONZE, SILVER PLATING  
 INSULATOR - PTFE, NATURAL  
 NUT- BRASS, WHITE BRONZE PLATING  
 O-RING - SILICONE RUBBER, RED
2. ELECTRICAL:  
 IMPEDANCE ( $\Omega$ ): 50  
 FREQUENCY RANGE: DC-2.5 GHz  
 VSWR: 1.10 MAX.  
 PIM (dBc): -160 MAX.  
 INSULATION RESISTANCE ( $M\Omega$ ): 10000 MIN.  
 INSERTION LOSS (dB): 0.05 MAX.  
 PROOF VOLTAGE (V): 2500  
 CONDUCTOR RESISTANCE( $M\Omega$ ): OUTER CONDUCTOR 0.20 MAX.  
 INNER CONDUCTOR 0.80 MAX.
3. MECHANICAL:  
 A.DURABILITY: 500 CYCLES MIN.  
 B.TENSILE FORCE: 1800 N  
 C.TORSION: 0.3 Nm  
 D.RETENTION: 5.88 N MIN.
4. ENVIRONMENTAL:  
 TEMP.RANGE: -40°C TO +85°C  
 WEATHER STANDARD: IEC 60068 40/085/21  
 THERMAL SHOCK: IEC 60068 -2-14-Na  
 VIBRATION: IEC 60068-2-6-Fc  
 SHOCK: IEC 60068-2-27  
 WATERPROOFING STANDARD: IP 68
5. PACKAGING:  
 A. QUANTITY: SINGLE PACK  
 B. MARKING: BAG TO BE MARKED  
 "AMPHENOL RF, 272159-10 AND DATE CODE"
6. CABLE ASSEMBLY INSTRUCTIONS:  
 A. TRIM CABLE AS SHOWN.  
 B. INSERT THE CABLE INTO CONTACT AND SOLDER.  
 C. INSERT INTO CONNECTOR, PUSHING UNTIL IT BOTTOMS & INTERFACE DIMENSIONS ARE MET.  
 D. SOLDER OUTER CONDUCTOR OF CABLE TO THE BODY.
7. ROHS COMPLIANT

8 SHOWS CABLE ENTRY DIMENSIONS.

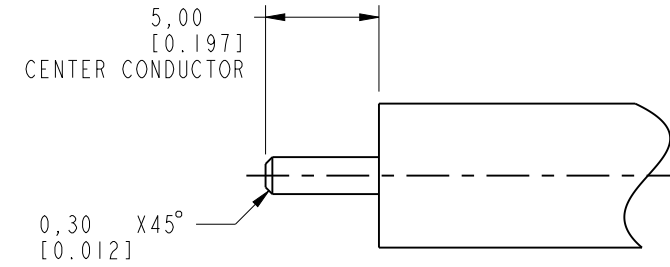
THIRD ANGLE PROJ.

REVISIONS

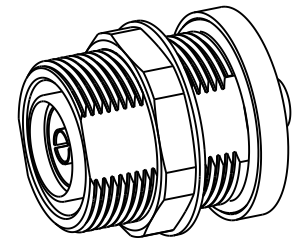
REV	DESCRIPTION	DATE	ECO	APPR
NC	INITIAL RELEASE	25-May-00	--	--
A	MODEL UPDATED	18-Apr-17	3505	PL



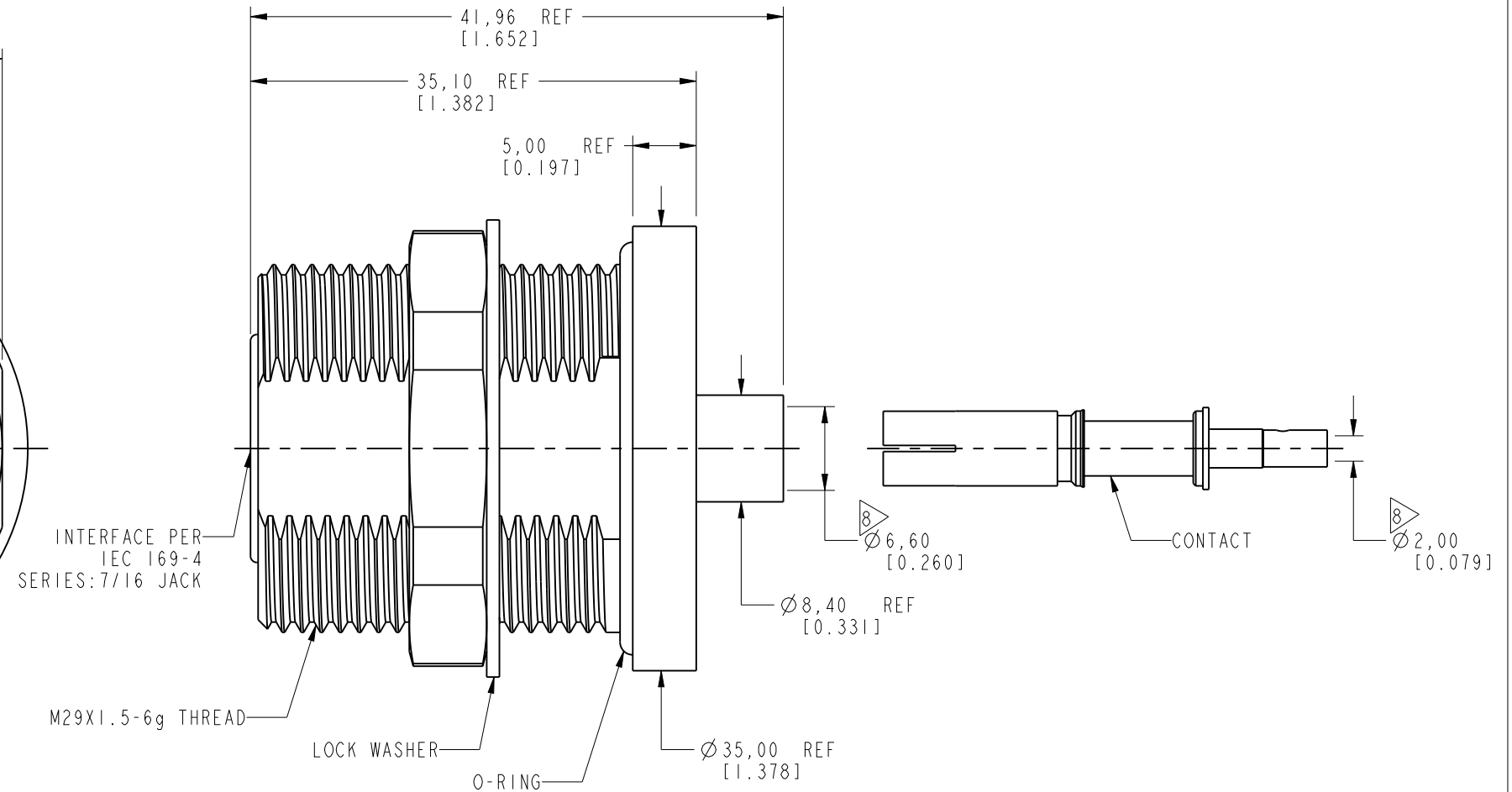
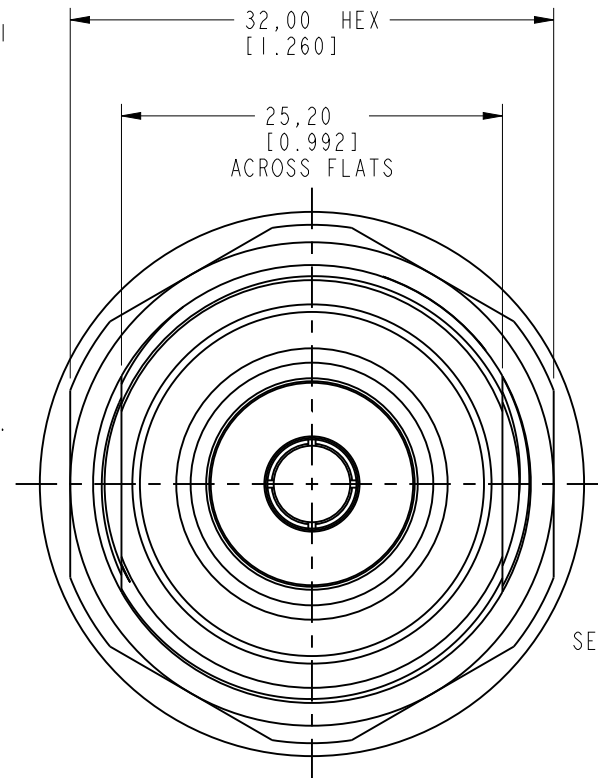
**RECOMMENDED MOUNTING HOLE DIMENSIONS**



**RECOMMENDED CABLE STRIPPING DIMENSIONS**



SCALE 0.800



**CUSTOMER OUTLINE DRAWING**

ALL OTHER SHEETS ARE FOR INTERNAL USE ONLY

UNLESS OTHERWISE SPECIFIED, DIMENSIONS ARE IN METRIC AND TOLERANCES ARE:  
 <0.5mm ±0.05mm 0.5 - 6mm ±0.1mm 6 - 30mm ±0.2mm 30 - 120mm ±0.3mm ANGLES ±1°

NOTICE - These drawings, specifications, or other data (1) are, and remain the property of Amphenol corp. (2) must be returned upon request; and (3) are confidential and not to be disclosed to any person other than those to whom they are given by Amphenol Corp. the furnishing of these drawings, specifications, or other data by Amphenol Corp., or to any other person to anyone for any purpose is not to be regarded by implication or otherwise in any manner licensing, granting rights to permitting such holder or any other person to manufacture, use or sell any product, process or design, patented or otherwise, that may in any way be related to or disclosed by said drawings, specifications, or other data.

MATERIAL SEE NOTES	DRAWN LOKESH P	DATE 28-Mar-17	TITLE 7/16 STR BHD JACK FOR RG 401 CABLE	Amphenol RF www.amphenolrf.com
EAR# EXP# 7642	ENGINEER LOKESH P	DATE 28-Mar-17	SCALE: 2.0:1.0 SHEET 2 OF 2	
CONFIGURATION LEVEL: In Work	APPROVED K. CAPOZZI	DATE 18-Apr-17	DWG SIZE B	DRAWING NO. 272159-10
FINISH	CAD FILE	REV A		ITEM NO. 272159-10
				PART NO. 272159-10