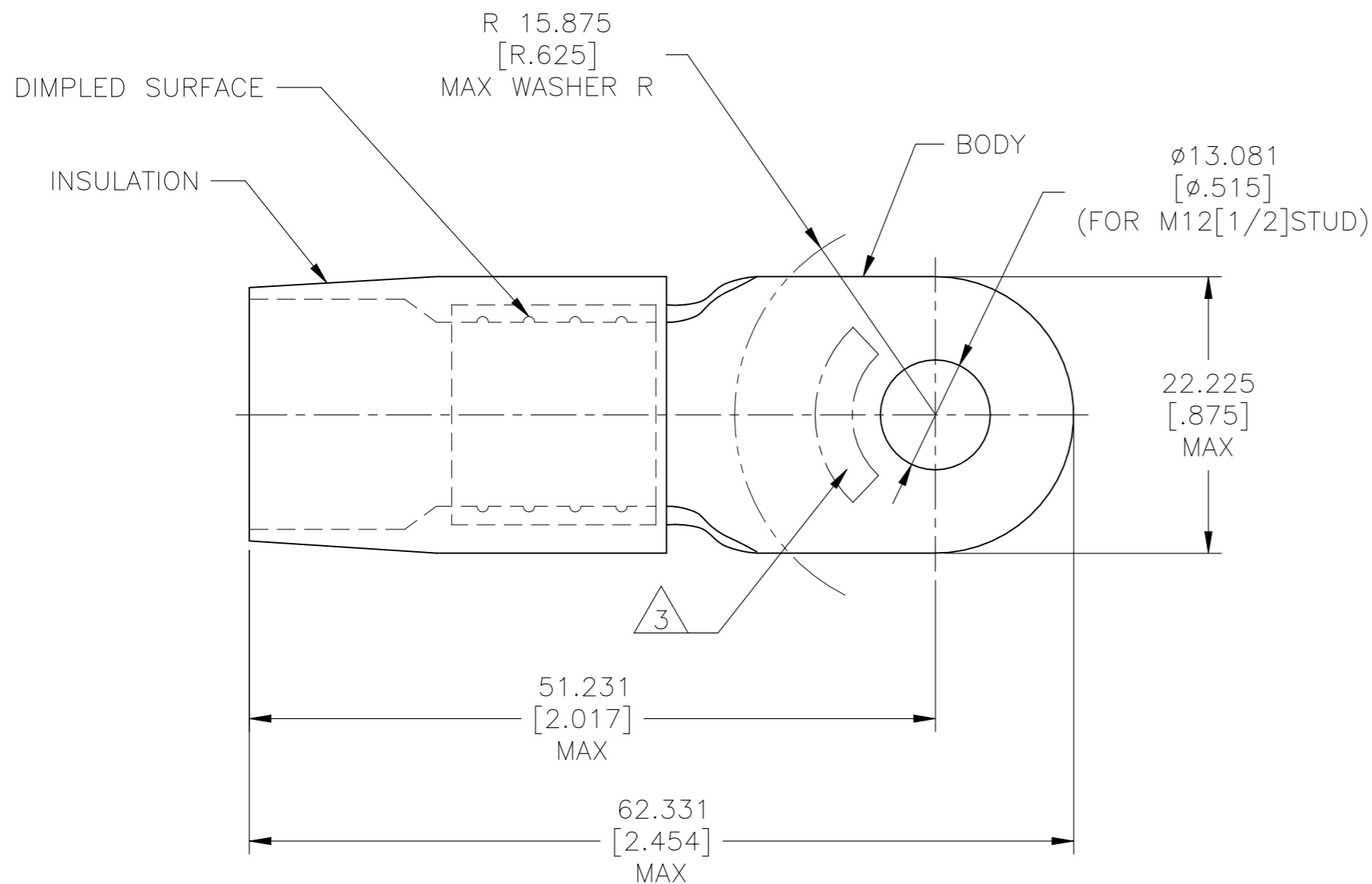
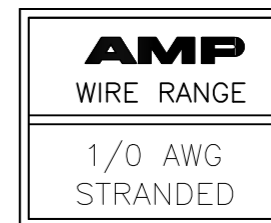


© - TE Connectivity. All Rights Reserved.

REVISIONS

P	LTR	DESCRIPTION	DATE	DWN	APVD
	G2	ECN-22-150900	27APR2022	RK	CSD



- 1 BODY MATERIAL THK 1.778±0.051[.070±.002]
- 2 FOR Ø14.732[Ø.580] MAX WIRE INS.
- △3 STAMP AMP 1/0 W\* APPROX AS SHOWN.

50	LOOSE PC	324058
QTY	PACKAGE TYPE	PART NO

AMP INCORPORATED  
CUSTOMER SERVICE SYSTEMS

MAX RECOMMENDED OPERATING TEMPERATURE:  
105°C[221°F]

THIS DRAWING IS A CONTROLLED DOCUMENT.

DWN	S.S. GOULDEN	6-21-93
CHK	R. HERSEY	6-21-93
APVD	B. BARE	6-21-93

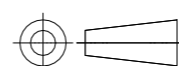


FOR ADDITIONAL PRODUCT INFORMATION OR COPIES OF DRAWINGS AND TECHNICAL DOCUMENTS  
PRODUCT INFORMATION CENTER  
1-800-522-6752

VOLTAGE RATING:  
-

DIMENSIONS:  
mm [INCHES]

TOLERANCES UNLESS OTHERWISE SPECIFIED:



0 PLC	± -
1 PLC	± -
2 PLC	± -
3 PLC	± 0.127[.005]
4 PLC	± -
ANGLES	± -

NAME  
TERMINAL, RING TONGUE, TERMINYL  
WIRE SIZE: 1/0 AWG

FOR APPLICATION TOOLING INFORMATION  
TOOLING ASSISTANCE CENTER  
1-800-722-1111

CIRCULAR MIL AREA:  
42.4-60.6mm² [83,700-119,500]  
STRANDED

MATERIAL  
BODY: COPPER PER ASTM B-152  
INSULATION: NYLON ASTM D4066 TYPE I

FINISH  
BODY: TIN PLATE PER ASTM B545  
INSULATION: COLOR-BLUE

PRODUCT SPEC	-
APPLICATION SPEC	-
WEIGHT	-

SIZE	CAGE CODE	DRAWING NO	RESTRICTED TO
A3	00779	C-324058	-

FOR ORDER ENTRY  
1-800-526-5142

THIS DRAWING IS A CONTROLLED DOCUMENT FOR AMP INCORPORATED. IT IS SUBJECT TO CHANGE AND THE CONTROLLING ENGINEERING ORGANIZATION SHOULD BE CONTACTED FOR THE LATEST REVISION.

CUSTOMER DRAWING	SCALE	SHEET	REV
	NTS	1 OF 1	G2