

# SWITCH HEAVY-DUTY TOGGLE

Single or Double Pole On - Off Toggle Switches needing Side Screws

**It's good for most 1/2" Hole panel mount applications that are 16 or 20 A at 125Vac**

**FEATURES:**

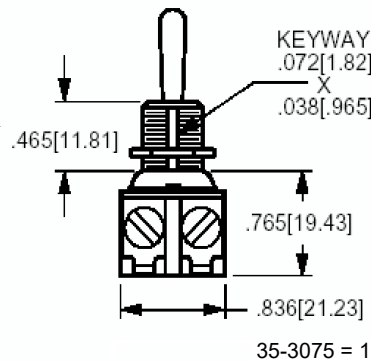
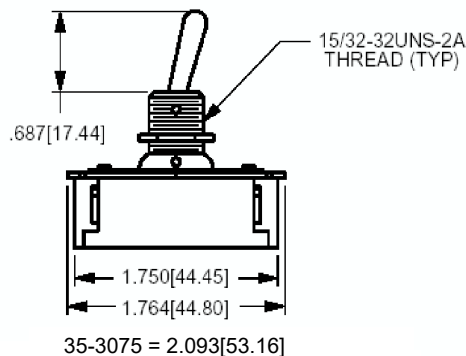
- Ratings: 16 or 20 A @ 125 Vac, 8 or 10 A @ 250 Vac, 1 or 1.5 H.P. @ 125-250 Vac
- For 0.500" Dia. Hole
- 15/32" - 32 THD Bushing, with Keyway
- Metal Bat Handle
- Side Screw Terminals
- Operating Temperature: (0 to 150)°F
- Dielectric Strength: 1,000 V
- Quick Make/Quick Break contacts
- Stiff Actuation Force
- Electrical Life: 25,000 cycles
- Mechanical Life: 100,000 cycles



**Product Availability:**

PART No.	DESCRIPTION	H.P. RATINGS	
35-126	Toggle Switch DPST 16A @ 125 Vac	1 HP 125-250 V	UPC: 010151541222
35-126-BU	Toggle Switch DPST 16 A Bulk (10 pc)	1 HP 125-250 V	UPC: 010151541215
35-3070	Toggle Switch SPST 16A @ 125 Vac	1 HP 125-250 V	UPC: 010151546395
35-3075	Toggle Switch DPST 20 A @ 125 Vac	1.5 HP 125-250 V	UPC: 010151546401

**RoHS<sup>TM</sup>**  
 HTS: 8536.50.9065  
 CoO: Mexico



**PART No: 35-126**

