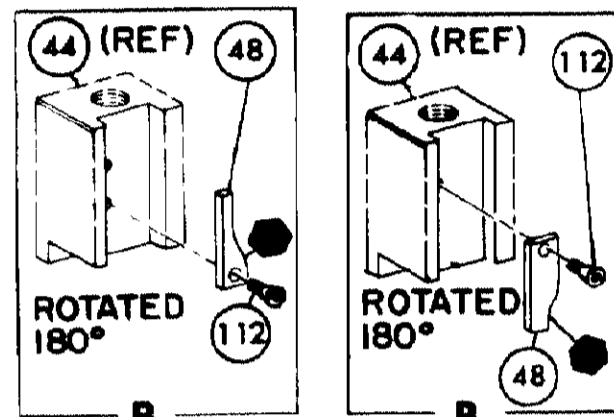
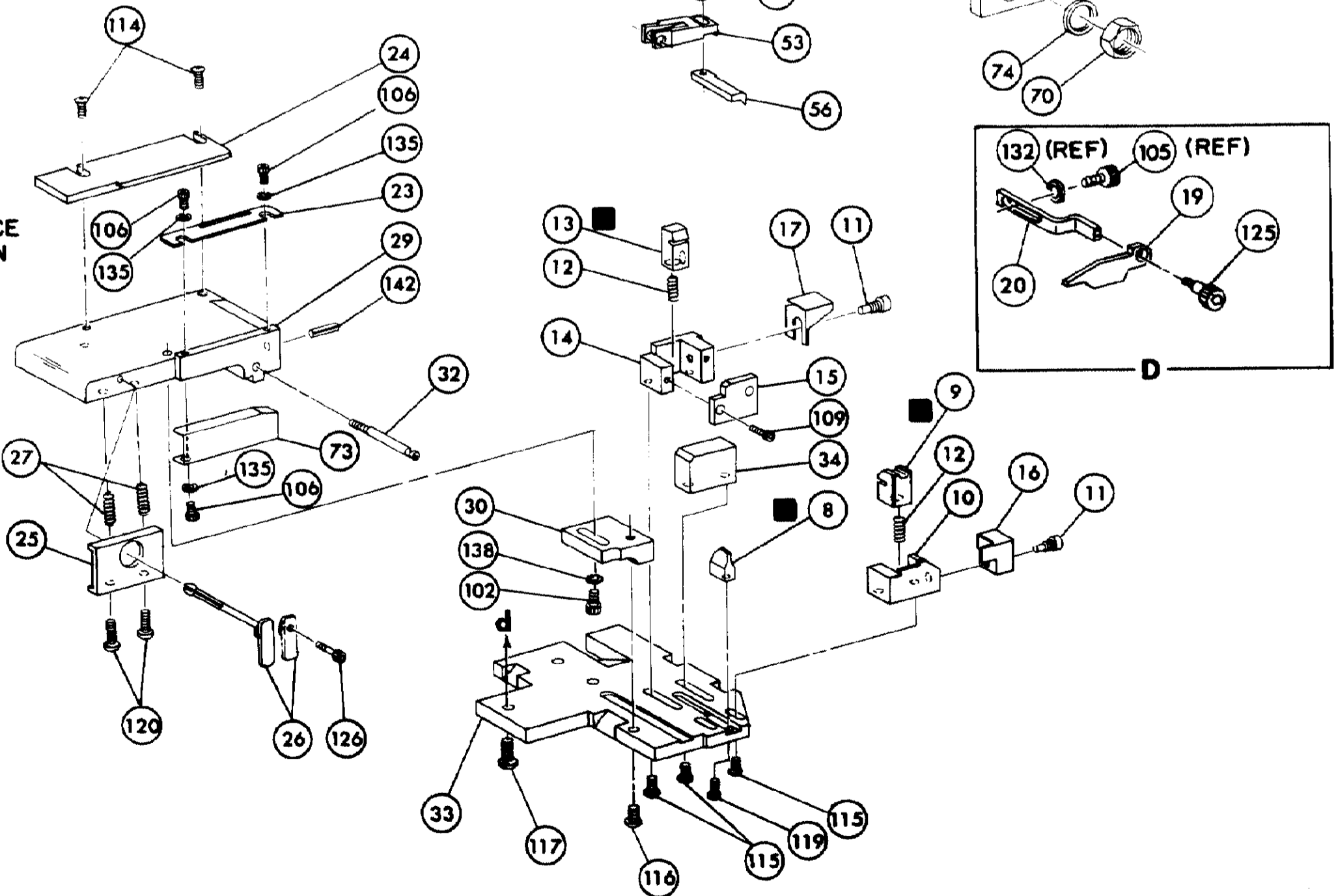


PRE-FEED 1/8" STROKE  
POST-FEED 5/8" STROKE



NOTES:  
1- ONLY THE ITEMS WITH QUANTITIES SPECIFIED ON PARTS LIST ARE USED ON THIS APPLICATOR.  
2- USED IN PLACE OF ITEM 38 WHEN INSULATION CRIMP IS NOT USED.  
3- GUARD MUST BE IN PLACE WHEN OPERATING APPLICATOR IN AMP-O-LECTRIC PRESS.  
4. PARTS WITH QTY OF REF. SPECIFIED (EXCEPT ITEM 79) ARE USED ON ITEM 46.

KEY:  
■ RECOMMENDED SPARE PARTS CUSTOMER RESPONSIBLE FOR REPLACEMENT.  
▲ LUBRICATE DAILY USING NO. 20 MACHINE OIL.  
● GREASE LIGHTLY



REF.	21045-3	RING, RETAINING 'C' (.187 DIA) FEED FINGER PIN	145	REF.	454220-1	CAP, HOUSING	59
					454485-1	HOUSING	58
REF.	5-21028-1	PIN, SLOT SPR (.125 DIA X .50) ADJ ROD	143				57
1	4-21028-0	PIN, SLOT SPR (.093 DIA X .75) STR G PLATE	142	1	690542-2	PAWL, FEED	56
REF.	1-21030-1	PIN, DOWEL (.187 DIA X .50) LEVER	141	REF.	240624-1	PIN, FEED FINGER	55
REF.	1-21030-6	PIN, DOWEL (.187 DIA X 1.25) HOUSING	140	REF.	691499-1	SPRING, FEED FINGER	54
1	21024-5	WASHER, LOCK (NO 10) LUB ASSY	139	REF.	690541-1	FINGER, FEED	53
1	21024-5	WASHER, LOCK (NO 10) STRIP GUIDE ADJ BLOCK	138	REF.	455679-1	LEVER, TERMINAL FEED ARM	52
REF.	21024-5	WASHER, LOCK (NO 10) ADJ PLATE	137	1	811242-2	BUMPER, HOLDDOWN	51
REF.	21024-5	WASHER, LOCK (NO 10) FEED GUIDE ROD	136	1	690753-1	SPACER, TONKER	50
3	21057-2	WASHER, LOCK (NO 4) FRONT STRIP GUIDE	135	1	7-21002-9	BOLT, CRIMPER	49
1	21024-4	WASHER, LOCK (NO 8) FEED FINGER	134	1	690602-5	CAM PREFEED 1/2 STROKE	48
2	21024-4	WASHER, LOCK (NO 8) DEPRESSOR	133				47
1	21024-4	WASHER, LOCK (NO 8) STRIPPER	132	1	459456-1	APPLICATOR, BASIC (SUB ASSY)	46
REF.	21899-4	WASHER, FLAT (5/16 DIA) SCREW ADJ	131	1	690191-1	PLUG, NYLON	45
1	21899-2	WASHER, FLAT (NO 10) LUB ASSY	130	1	455673-1	RAM	44
1	21068-5	NUT, HEX MACH (6-32) HOLDDOWN	129	1	690125-1	WASHER, LAMINATED	43
REF.	21068-5	NUT, HEX MACH (6-32) FEED ADJ	128	1	690124-1	WASHER, RAM DISC, SPACER	42
			127				41
	22353-8	SCR, SHLD. (.187 DIA X .250 LG) DRAG LEVER	126	2	23241-6	BALL, STEEL	40
1	456567-1	SCR, SHLD. (.188 DIA X .125 LG) STRIPPER	125	2	690170-1	SPRING, COMPRESSION	39
1	21009-2	SCR, SKT SET (1/4-20 X .25) (LOC-WEL) RAM	124	1	690142-1	DISC, INSULATION	38
			123	1	4-690141-9	DISC, WIRE	37
REF.	3-21064-2	SCR, RD HD MACH (6-32 X 1.50) FEED ADJ	122	1	22480-5	WASHER, SPRING	36
2			121	1	690212-1	POST, RAM	35
1	2-21002-9	SCR, BUT HD SKT CAP (10-32 X .75) DRAG	120	1	690786-3	SUPPORT, TERMINAL	34
1	22733-8	SCR, BUT HD SKT CAP (8-32 X .38) (LOC-WEL) ANVIL	119	REF.	455675-1	PLATE, BASE	33
REF.	2-21002-9	SCR, BUT HD SKT CAP (10-32 X .75) CAP	118	1	690432-3	SCREW, ADJUSTMENT	32
REF.	1-24073-9	SCR, BUT HD SKT CAP (1/4-20 X .75) HOUSING	117				31
REF.	2-21002-7	SCR, BUT HD SKT CAP (10-32 X .50) SG ADJ BLOCK	116	REF.	455689-1	BLOCK, STRIP GUIDE ADJ	30
2	2-21002-2	SCR, BUT HD SKT CAP (8-32 X .50) SHEAR	115	1	455671-1	PLATE, STRIP GUIDE	29
2	2-21002-1	SCR, BUT HD SKT CAP (8-32 X .39) R STRIP GUIDE	114	1	1-455888-0	SPACER, FRONT SHEAR DEPRESSOR	28
			113	2	1-22284-0	SPRING, DRAG	27
1	2-21003-0	SCR, FLAT HD SKT CAP (6-32 X .50) CAM	112	1	690546-1	LEVER, DRAG RELEASE	26
1	3-21000-4	SCR, SKT HD CAP (10-32 X .38) LUBRICATOR ASSY	111	1	240792-1	DRAG, STOCK	25
2	23030-1	SCR, SKT HD CAP (6-32 X .25) (LOC-WEL) CP DISC	110	1	6-690440-0	GUIDE STRIP (REAR)	24
			109	1	690438-1	GUIDE, STRIP (FRONT)	23
2	2-21000-7	SCR, SKT HD CAP (8-32 X .50) DEPRESSOR	108				22
1	2-22603-0	SCR, HEX HD MACH (8-32 X .31) FEED FINGER	107		4-22284-9	SPRING, FEED RETURN	21
3	1-21000-3	SCR, SKT HD CAP (4-40 X .25) F STRIP GUIDE	106	1	458950-1	ARM, STRIPPER	20
1	2-21000-7	SCR, SKT HD CAP (8-32 X .50) STRIPPER	105	1	458949-1	STRIPPER	19
REF.	3-21000-7	SCR, SKT HD CAP (10-32 X .75) FEED ROD GUIDE	104				18
REF.	3-21000-6	SCR, SKT HD CAP (10-32 X .62) FEED ADJ BLOCK	103				17
1	3-21000-4	SCR, SKT HD CAP (10-32 X .38) SG ADJ BLOCK	102	1	691667-1	GUARD, CHIP (FRONT)	16
REF.	3-21000-4	SCR, SKT HD CAP (10-32 X .38) PIVOT BLOCK	101				15
REF.	455749-1	GUARD, WINDOW	79				14
1	1-465184-0	LUBRICATOR ASSY	78				13
REF.	6529-1	OIL, LUBRICATING	77	1	5-22280-0	SPRING, SHEAR	12
			76	1	690461-1	STOP, SHEAR	11
			75	1	690459-1	HOLDER, SHEAR (FRONT)	10
REF.	458109-1	WASHER, SPECIAL	74	1	454276-1	SHEAR, FLOAT (FRONT)	9
1	454877-3	PLATE, STRIP GUIDE COVER	73	1	4-690471-1	ANVIL	8
2	690603-1	SPRING, ASSIST	72				7
REF.	690517-1	SPACER	71				6
	22594-8	NUT, HEX	70	1	455897-9	DEPRESSOR, SHEAR (FRONT)	5
	240628-1	PLATE, ADJUSTMENT	69	1	2-238011-2	SPACER, TUBULAR, INS CRIMPER	4
	240626-1	SHAFT, PIVOT	68	1	4-456134-8	CRIMPER, INSULATION	3
	240633-1	BUSHING	67	1	455888-4	SPACER, CRIMPER	2
	455680-1	LEVER, INTERMEDIATE	66	1	1-456403-3	CRIMPER, WIRE	1
	240629-1	BLOCK, PIVOT	65				
	240632-2	SCREW, ADJUSTMENT FEED ROD	64				
	240659-3	PIN, CAM ROLLER	63				
	240658-1	ROLLER, CAM	62				
	454398-2	ROD, FEED	61				
REF.	454178-1	GUIDE, FEED ROD	60				

CRIMPING DATA				APPLICATOR WILL APPLY	
PAD LTR	CRIMP HEIGHT	WIRE SIZE	WIRE STRIP LENGTH	531586	
A	.039	20, 22, 24		531597	
B	NOT USED				
C	NOT USED				
D	NOT USED				
CRIMP	SIZE	TYPE	FEED	APPL INST	
WIRE	062	"F"		A1 8040	
INSUL	100	"F"	400		
WIRE RANGE	INSULATION RANGE		PRESS NO		
24-20	.040-.080		565435-5		
REMARKS AMP-O-LECTRIC PRE-FEED					
APPL USED ON MACHINE PART NO		MACH SERIAL NO		DISTRIBUTION	
CUSTOMER NAME		APPL SERIAL NO		ORIGINAL	
ADDRESS		PURCHASE ORDER		CUSTOMER COPY	
CITY		ENG APP		FIELD ENG COPY	
SET UP GAGE 10-1 45639-1 1036 DR 5-79 APP 117 10/2/82 B 02 ECA-272190 A ECA-46368 01 REV 020 46368 11-88 12-82 NAME MINIATURE QUICK CHANGE APPLICATOR SIDE FEED (AMP BLADE RECEPTACLE) SET UP GAGE 10-1 45639-1 1036 DR 5-79 APP 117 10/2/82 B 02 ECA-272190 A ECA-46368 01 REV 020 46368 11-88 12-82 NAME MINIATURE QUICK CHANGE APPLICATOR SIDE FEED (AMP BLADE RECEPTACLE)					

THIS INFORMATION IS CONFIDENTIAL AND IS DISCLOSED ONLY TO PERSONNEL AUTHORIZED BY AMP INCORPORATED, HARRISBURG, PA.