

PLEASE CHECK WWW.MOLEX.COM FOR LATEST PART INFORMATION

Part Number: [0539880619](#)
Status: **Active**
Description: 2.00mm Pitch Serial I/O Connector, Receptacle, Wire-to-Wire, Solder Type, 6 Circuits

Documents:

[3D Model](#) [Product Specification PS-54280-005-001 \(PDF\)](#)
[3D Model \(PDF\)](#) [RoHS Certificate of Compliance \(PDF\)](#)
[Drawing \(PDF\)](#)

General

Product Family I/O Connectors
Series [53988](#)
Application Wire-to-Wire
Component Type Receptacle
Product Name N/A
Type N/A
UPC 822348190812

Physical

Circuits (Loaded) 6
Circuits (maximum) 6
Color - Resin Black
Lock to Mating Part Yes
Material - Metal Phosphor Bronze
Material - Plating Mating Gold
Material - Plating Termination Tin
Material - Resin High Temperature Thermoplastic
Net Weight 2649.366/mg
Number of Rows 2
Orientation Vertical
PCB Retention N/A
Packaging Type Bag
Panel Mount No
Pitch - Mating Interface 2.00mm
Plating min - Mating 0.762µm
Plating min - Termination 3.048µm
Polarized to Mating Part Yes
Ports 1
Temperature Range - Operating -40° to +85°C
Termination Interface: Style N/A
Wire Insulation Diameter 2.10mm max.
Wire Size AWG 16

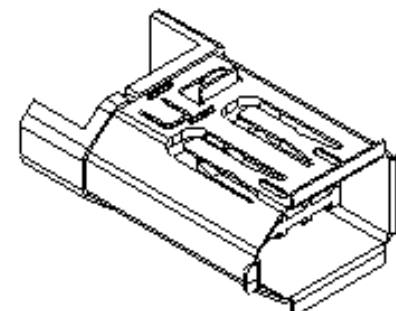
Electrical

Current - Maximum per Contact 2.0A
Shielded Yes
Voltage - Maximum 125V

Material Info

Reference - Drawing Numbers

Product Specification PS-54280-005-001
Sales Drawing SD-53988-001-001



Series image - Reference only

EU ELV

Not Relevant

EU RoHS

Compliant

REACH SVHC

Not Contained Per -
D(2021)4569-DC (8
July 2021)

Halogen-Free

Status

Not Low-Halogen

For more information, please visit [Contact US](#)

China ROHS

ELV

RoHS Phthalates

China RoHS

Green Image

Not Relevant

Not Contained

Search Parts in this Series

[53988 Series](#)

Mates With

54180 Plug, [55100 Plug Kit](#)

Use With

58302 Shell Cover